

# ETSI EN 300 468 V1.15.1 (2016-03)



## Digital Video Broadcasting (DVB); Specification for Service Information (SI) in DVB systems

**EBU**  
OPERATING EUROVISION

**DVB**<sup>®</sup>  
Digital Video  
Broadcasting

---

**Reference**

REN/JTC-DVB-348

---

**Keywords**broadcasting, digital, DVB, MPEG, service, TV,  
video**ETSI**

---

650 Route des Lucioles  
F-06921 Sophia Antipolis Cedex - FRANCE

Tel.: +33 4 92 94 42 00 Fax: +33 4 93 65 47 16

Siret N° 348 623 562 00017 - NAF 742 C  
Association à but non lucratif enregistrée à la  
Sous-Préfecture de Grasse (06) N° 7803/88

---

**Important notice**The present document can be downloaded from:  
<http://www.etsi.org/standards-search>

The present document may be made available in electronic versions and/or in print. The content of any electronic and/or print versions of the present document shall not be modified without the prior written authorization of ETSI. In case of any existing or perceived difference in contents between such versions and/or in print, the only prevailing document is the print of the Portable Document Format (PDF) version kept on a specific network drive within ETSI Secretariat.

Users of the present document should be aware that the document may be subject to revision or change of status. Information on the current status of this and other ETSI documents is available at  
<https://portal.etsi.org/TB/ETSIDeliverableStatus.aspx>

If you find errors in the present document, please send your comment to one of the following services:  
<https://portal.etsi.org/People/CommitteeSupportStaff.aspx>

---

**Copyright Notification**

No part may be reproduced or utilized in any form or by any means, electronic or mechanical, including photocopying and microfilm except as authorized by written permission of ETSI.

The content of the PDF version shall not be modified without the written authorization of ETSI.  
The copyright and the foregoing restriction extend to reproduction in all media.

© European Telecommunications Standards Institute 2016.

© European Broadcasting Union 2016.

All rights reserved.

**DECT™**, **PLUGTESTS™**, **UMTS™** and the ETSI logo are Trade Marks of ETSI registered for the benefit of its Members.  
**3GPP™** and **LTE™** are Trade Marks of ETSI registered for the benefit of its Members and  
of the 3GPP Organizational Partners.  
**GSM®** and the GSM logo are Trade Marks registered and owned by the GSM Association.

# Contents

Intellectual Property Rights .....	7
Foreword.....	7
Modal verbs terminology.....	7
1 Scope .....	8
2 References .....	8
2.1 Normative references .....	8
2.2 Informative references.....	11
3 Definitions and abbreviations.....	12
3.1 Definitions.....	12
3.2 Abbreviations .....	14
4 Service Information (SI) description.....	18
5 Service Information (SI) tables .....	20
5.1 SI table mechanism .....	20
5.1.1 Use of table sections .....	20
5.1.2 Mapping of sections into Transport Stream (TS) packets.....	21
5.1.3 Coding of PID and table_id fields .....	22
5.1.4 Repetition rates and random access .....	23
5.1.5 Scrambling.....	23
5.2 Table definitions.....	23
5.2.0 Introduction.....	23
5.2.1 Network Information Table (NIT).....	23
5.2.2 Bouquet Association Table (BAT) .....	25
5.2.3 Service Description Table (SDT).....	26
5.2.4 Event Information Table (EIT) .....	28
5.2.5 Time and Date Table (TDT) .....	30
5.2.6 Time Offset Table (TOT) .....	31
5.2.7 Running Status Table (RST).....	32
5.2.8 Stuffing Table (ST).....	32
5.2.9 Discontinuity Information Table (DIT) .....	33
5.2.10 Selection Information Table (SIT).....	33
6 Descriptors .....	33
6.0 Introduction .....	33
6.1 Descriptor identification and location .....	33
6.2 Descriptor coding .....	35
6.2.0 General principles .....	35
6.2.1 Adaptation field data descriptor.....	35
6.2.2 Ancillary data descriptor.....	36
6.2.3 Announcement support descriptor .....	36
6.2.4 Bouquet name descriptor .....	38
6.2.5 CA identifier descriptor .....	38
6.2.6 Cell frequency link descriptor.....	39
6.2.7 Cell list descriptor.....	39
6.2.8 Component descriptor.....	41
6.2.9 Content descriptor.....	46
6.2.10 Country availability descriptor .....	49
6.2.11 Data broadcast descriptor.....	49
6.2.12 Data broadcast id descriptor.....	50
6.2.13 Delivery system descriptors.....	51
6.2.13.1 Cable delivery system descriptor .....	51
6.2.13.2 Satellite delivery system descriptor.....	52
6.2.13.3 S2 satellite delivery system descriptor .....	53
6.2.13.4 Terrestrial delivery system descriptor .....	54
6.2.14 DSNG descriptor .....	57
6.2.15 Extended event descriptor.....	57

6.2.16	Extension descriptor .....	58
6.2.17	Frequency list descriptor.....	58
6.2.18	FTA content management descriptor.....	59
6.2.18.0	Semantics and syntax of the FTA content management descriptor.....	59
6.2.18.1	Scope of the FTA content management descriptor .....	61
6.2.19	Linkage descriptor .....	62
6.2.19.0	Semantics and syntax of the linkage descriptor .....	62
6.2.19.1	Mobile hand-over linkage .....	63
6.2.19.2	Event linkage.....	64
6.2.19.3	Extended event linkage .....	65
6.2.20	Local time offset descriptor .....	67
6.2.21	Mosaic descriptor.....	68
6.2.22	Multilingual bouquet name descriptor .....	71
6.2.23	Multilingual component descriptor.....	71
6.2.24	Multilingual network name descriptor.....	72
6.2.25	Multilingual service name descriptor.....	73
6.2.26	Near Video On Demand (NVOD) reference descriptor.....	73
6.2.27	Network name descriptor.....	74
6.2.28	Parental rating descriptor .....	74
6.2.29	Partial Transport Stream (TS) descriptor .....	75
6.2.30	PDC descriptor.....	75
6.2.31	Private data specifier descriptor.....	75
6.2.32	Scrambling descriptor.....	76
6.2.33	Service descriptor .....	76
6.2.34	Service availability descriptor.....	78
6.2.35	Service list descriptor.....	78
6.2.36	Service move descriptor.....	79
6.2.37	Short event descriptor .....	79
6.2.38	Short smoothing buffer descriptor .....	80
6.2.39	Stream identifier descriptor.....	81
6.2.40	Stuffing descriptor .....	82
6.2.41	Subtitling descriptor.....	82
6.2.42	Telephone descriptor.....	83
6.2.43	Teletext descriptor .....	84
6.2.44	Time shifted event descriptor.....	85
6.2.45	Time shifted service descriptor.....	85
6.2.46	Transport stream descriptor .....	86
6.2.47	VBI data descriptor.....	86
6.2.48	VBI teletext descriptor.....	87
6.3	Extended descriptor identification and location .....	88
6.4	Extended descriptor coding .....	88
6.4.0	Introduction.....	88
6.4.1	CI ancillary data descriptor.....	88
6.4.2	CP descriptor .....	89
6.4.3	CP identifier descriptor .....	89
6.4.4	CPCM delivery signalling descriptor.....	90
6.4.5	Delivery system descriptors.....	90
6.4.5.1	C2 delivery system descriptor .....	90
6.4.5.2	SH delivery system descriptor.....	92
6.4.5.3	T2 delivery system descriptor .....	96
6.4.5.4	C2 bundle delivery system descriptor .....	98
6.4.6	Image icon descriptor.....	99
6.4.7	Message descriptor .....	101
6.4.8	Network change notify descriptor.....	102
6.4.9	Service relocated descriptor.....	104
6.4.10	Supplementary audio descriptor .....	104
6.4.11	Target region descriptor.....	106
6.4.12	Target region name descriptor .....	108
6.4.13	T2-MI descriptor.....	109
6.4.14	URI linkage descriptor.....	110
6.4.15	Video depth range descriptor.....	111
6.4.15.0	Semantics and syntax of the video depth range descriptor.....	111

6.4.15.1	Production disparity hint .....	112
6.5	Scoping rules for scoping descriptors.....	112
7	Storage Media Interoperability (SMI) measures .....	113
7.0	Introduction .....	113
7.1	SMI tables .....	113
7.1.0	General principles.....	113
7.1.1	Discontinuity Information Table (DIT) .....	113
7.1.2	Selection Information Table (SIT).....	114
7.2	SMI descriptors .....	115
7.2.0	Introduction.....	115
7.2.1	Partial Transport Stream (TS) descriptor .....	115
<b>Annex A (normative): Coding of text characters .....</b>		<b>116</b>
A.0	General principles .....	116
A.1	Control codes.....	116
A.2	Selection of character table .....	116
<b>Annex B (normative): CRC decoder model.....</b>		<b>130</b>
<b>Annex C (informative): Conversion between time and date conventions .....</b>		<b>131</b>
<b>Annex D (normative): Service information implementation of AC-3, Enhanced AC-3, and AC-4 audio in DVB systems .....</b>		<b>133</b>
D.0	Introduction .....	133
D.1	AC-3 and Enhanced AC-3 component types.....	133
D.2	AC-3 descriptor .....	134
D.3	AC-3 descriptor syntax and semantics .....	134
D.4	Enhanced_AC-3 descriptor .....	136
D.5	Enhanced_AC-3 descriptor syntax and semantics .....	136
D.6	AC-4 descriptor .....	138
D.7	AC-4 descriptor syntax and semantics .....	138
<b>Annex E (normative): Usage of the Scrambling_descriptor .....</b>		<b>140</b>
<b>Annex F (informative): ISO 639 Language Descriptor for "original audio" Soundtrack .....</b>		<b>141</b>
<b>Annex G (normative): Service information implementation of DTS® coded audio in DVB systems .....</b>		<b>142</b>
G.0	Introduction .....	142
G.1	DTS® and DTS-HD® Audio descriptors.....	142
G.2	DTS® Descriptor .....	142
G.2.0	Use of the DTS® descriptor .....	142
G.2.1	Syntax and semantics for the DTS® descriptor.....	142
G.3	DTS-HD® descriptor .....	145
G.3.1	DTS-HD® descriptor syntax .....	145
G.3.2	Substream information .....	146
G.3.3	Asset information .....	148
G.3.4	Component type .....	150
G.4	Use of DTS-HD® in Receiver Mixed Applications for Single PID and Multiple PID Implementations .....	151

<b>Annex H (normative):</b>	<b>Service information implementation of AAC coded audio in DVB systems .....</b>	<b>152</b>
H.0	Introduction .....	152
H.1	AAC Audio descriptor.....	152
H.2	AAC descriptor .....	152
H.2.0	Use of the AAC descriptor .....	152
H.2.1	Syntax and semantics for the AAC descriptor.....	152
<b>Annex I (normative):</b>	<b>Assignment and interpretation of the service_type field.....</b>	<b>154</b>
I.1	Background .....	154
I.2	Assignment of service_type .....	154
I.2.0	Introduction .....	154
I.2.1	service_type "digital television service" (0x01).....	154
I.2.2	service_type "H.264/AVC" (various).....	155
I.2.3	service_type "H.264/AVC frame compatible stereoscopic HD" (various).....	155
I.2.4	service_type "advanced codec digital radio sound service" (0x0A).....	155
I.2.5	service_type "HEVC digital television service" (0x1F).....	156
I.2.5.0	General principles .....	156
I.2.5.1	Signalling for service frame compatible plano-stereoscopic 3DTV for HEVC coded services.....	156
<b>Annex J (normative):</b>	<b>Signalling of Supplementary Audio .....</b>	<b>158</b>
J.1	Overview .....	158
J.2	Receiver-mix supplementary audio.....	158
J.2.1	Introduction .....	158
J.2.2	PSI PMT signalling .....	159
J.2.3	EIT signalling.....	159
J.2.3.0	General principles .....	159
J.2.3.1	Visually impaired audio description .....	159
J.3	Broadcast-mix supplementary audio .....	159
J.3.1	Introduction .....	159
J.3.2	PSI PMT signalling .....	160
J.3.3	EIT signalling.....	160
J.3.3.0	General principles .....	160
J.3.3.1	Visually impaired audio description .....	160
J.4	PSI signalling of audio purpose.....	160
J.5	SAOC-DE parametric data streams.....	161
J.5.1	Introduction .....	161
J.5.2	PSI PMT signalling .....	161
J.5.3	EIT signalling.....	162
<b>Annex K (normative):</b>	<b>Extended event linkage descriptor usage.....</b>	<b>163</b>
<b>Annex L (normative):</b>	<b>Service information implementation of DTS Neural Surround™ coded audio in DVB systems .....</b>	<b>165</b>
L.0	Introduction .....	165
L.1	DTS® Neural Descriptor.....	165
<b>Annex M (informative):</b>	<b>Bibliography .....</b>	<b>167</b>
<b>Annex N (informative):</b>	<b>Change History .....</b>	<b>168</b>
History .....		169

## Intellectual Property Rights

IPRs essential or potentially essential to the present document may have been declared to ETSI. The information pertaining to these essential IPRs, if any, is publicly available for **ETSI members and non-members**, and can be found in ETSI SR 000 314: "*Intellectual Property Rights (IPRs); Essential, or potentially Essential, IPRs notified to ETSI in respect of ETSI standards*", which is available from the ETSI Secretariat. Latest updates are available on the ETSI Web server (<https://ipr.etsi.org>).

Pursuant to the ETSI IPR Policy, no investigation, including IPR searches, has been carried out by ETSI. No guarantee can be given as to the existence of other IPRs not referenced in ETSI SR 000 314 (or the updates on the ETSI Web server) which are, or may be, or may become, essential to the present document.

## Foreword

This European Standard (EN) has been produced by Joint Technical Committee (JTC) Broadcast of the European Broadcasting Union (EBU), Comité Européen de Normalisation ELECTrotechnique (CENELEC) and the European Telecommunications Standards Institute (ETSI).

**NOTE:** The EBU/ETSI JTC Broadcast was established in 1990 to co-ordinate the drafting of standards in the specific field of broadcasting and related fields. Since 1995 the JTC Broadcast became a tripartite body by including in the Memorandum of Understanding also CENELEC, which is responsible for the standardization of radio and television receivers. The EBU is a professional association of broadcasting organizations whose work includes the co-ordination of its members' activities in the technical, legal, programme-making and programme-exchange domains. The EBU has active members in about 60 countries in the European broadcasting area; its headquarters is in Geneva.

European Broadcasting Union  
CH-1218 GRAND SACONNEX (Geneva)  
Switzerland  
Tel: +41 22 717 21 11  
Fax: +41 22 717 24 81

The Digital Video Broadcasting Project (DVB) is an industry-led consortium of broadcasters, manufacturers, network operators, software developers, regulatory bodies, content owners and others committed to designing global standards for the delivery of digital television and data services. DVB fosters market driven solutions that meet the needs and economic circumstances of broadcast industry stakeholders and consumers. DVB standards cover all aspects of digital television from transmission through interfacing, conditional access and interactivity for digital video, audio and data. The consortium came together in 1993 to provide global standardization, interoperability and future proof specifications.

<b>National transposition dates</b>	
Date of adoption of this EN:	15 March 2016
Date of latest announcement of this EN (doa):	30 June 2016
Date of latest publication of new National Standard or endorsement of this EN (dop/e):	31 December 2016
Date of withdrawal of any conflicting National Standard (dow):	31 December 2016

## Modal verbs terminology

In the present document "**shall**", "**shall not**", "**should**", "**should not**", "**may**", "**need not**", "**will**", "**will not**", "**can**" and "**cannot**" are to be interpreted as described in clause 3.2 of the [ETSI Drafting Rules](#) (Verbal forms for the expression of provisions).

"**must**" and "**must not**" are **NOT** allowed in ETSI deliverables except when used in direct citation.

---

# 1 Scope

The present document specifies the Service Information (SI) data which forms a part of DVB bitstreams, in order that the user can be provided with information to assist in selection of services and/or events within the bitstream, and so that the Integrated Receiver Decoder (IRD) can automatically configure itself for the selected service. SI data for automatic configuration is mostly specified within ISO/IEC 13818-1 [18] as Program Specific Information (PSI).

The present document specifies additional data which complements the PSI by providing data to aid automatic tuning of IRDs, and additional information intended for display to the user. The manner of presentation of the information is not specified in the present document, and IRD manufacturers have freedom to choose appropriate presentation methods.

It is expected that Electronic Programme Guides (EPGs) will be a feature of Digital TV transmissions.

The definition of an EPG is outside the scope of the present document (i.e. the SI specification), but the data contained within the SI specified in the present document may be used as the basis for an EPG.

Rules of operation for the implementation of the present document are specified in ETSI TS 101 211 [i.2].

---

## 2 References

### 2.1 Normative references

References are either specific (identified by date of publication and/or edition number or version number) or non-specific. For specific references, only the cited version applies. For non-specific references, the latest version of the referenced document (including any amendments) applies.

Referenced documents which are not found to be publicly available in the expected location might be found at <http://docbox.etsi.org/Reference>.

NOTE: While any hyperlinks included in this clause were valid at the time of publication, ETSI cannot guarantee their long term validity.

The following referenced documents are necessary for the application of the present document.

- [1] ETSI EN 300 231: "Television systems; Specification of the domestic video Programme Delivery Control system (PDC)".
- [2] ETSI EN 300 401: "Radio Broadcasting Systems; Digital Audio Broadcasting (DAB) to mobile, portable and fixed receivers".
- [3] ETSI EN 300 706: "Enhanced Teletext specification".
- [4] ETSI EN 301 192: "Digital Video Broadcasting (DVB); DVB specification for data broadcasting".
- [5] ETSI EN 301 210: "Digital Video Broadcasting (DVB); Framing structure, channel coding and modulation for Digital Satellite News Gathering (DSNG) and other contribution applications by satellite".
- [6] ETSI EN 301 775: "Digital Video Broadcasting (DVB); Specification for the carriage of Vertical Blanking Information (VBI) data in DVB bitstreams".
- [7] ETSI EN 301 790: "Digital Video Broadcasting (DVB); Interaction channel for satellite distribution systems".
- [8] ETSI EN 302 307-1: "Digital Video Broadcasting (DVB); Second generation framing structure, channel coding and modulation systems for Broadcasting, Interactive Services, News Gathering and other broadband satellite applications; Part 1: DVB-S2".
- [9] ETSI TS 101 154: "Digital Video Broadcasting (DVB); Specification for the use of Video and Audio Coding in Broadcasting Applications based on the MPEG-2 Transport Stream".
- [10] ETSI TS 102 005: "Digital Video Broadcasting (DVB); Specification for the use of Video and Audio Coding in DVB services delivered directly over IP protocols".



- [11] ETSI TS 102 006: "Digital Video Broadcasting (DVB); Specification for System Software Update in DVB Systems".
- [12] ETSI TS 102 114: "DTS Coherent Acoustics; Core and Extensions with Additional Profiles".
- [13] ETSI TS 102 323: "Digital Video Broadcasting (DVB); Carriage and signalling of TV-Anytime information in DVB transport streams".
- [14] ETSI TS 102 366: "Digital Audio Compression (AC-3, Enhanced AC-3) Standard".
- [15] ETSI TS 102 812: "Digital Video Broadcasting (DVB); Multimedia Home Platform (MHP) Specification 1.1.1".
- [16] ISO/IEC 10646: "Information technology -- Universal Coded Character Set (UCS)".
- [17] ISO/IEC 11172-3: "Information technology -- Coding of moving pictures and associated audio for digital storage media at up to about 1,5 Mbit/s -- Part 3: Audio".
- [18] ISO/IEC 13818-1: "Information technology -- Generic coding of moving pictures and associated audio information: Systems".
- [19] ISO/IEC 13818-2: "Information technology -- Generic coding of moving pictures and associated audio information: Video".
- [20] ISO/IEC 13818-3: "Information technology -- Generic coding of moving pictures and associated audio information -- Part 3: Audio".
- [21] ISO/IEC 14496-3: "Information technology -- Coding of audio-visual objects -- Part 3: Audio".
- [22] ISO/IEC 6937: "Information technology -- Coded graphic character set for text communication -- Latin alphabet".
- [23] ISO/IEC 8859-1: "Information technology -- 8-bit single-byte coded graphic character sets -- Part 1: Latin alphabet No. 1".
- [24] ISO/IEC 8859-2: "Information technology -- 8-bit single-byte coded graphic character sets -- Part 2: Latin alphabet No. 2".
- [25] ISO/IEC 8859-3: "Information technology -- 8-bit single-byte coded graphic character sets -- Part 3: Latin alphabet No. 3".
- [26] ISO/IEC 8859-4: "Information technology -- 8-bit single-byte coded graphic character sets -- Part 4: Latin alphabet No. 4".
- [27] ISO/IEC 8859-5: "Information technology -- 8-bit single-byte coded graphic character sets -- Part 5: Latin/Cyrillic alphabet".
- [28] ISO/IEC 8859-6: "Information technology -- 8-bit single-byte coded graphic character sets -- Part 6: Latin/Arabic alphabet".
- [29] ISO/IEC 8859-7: "Information technology -- 8-bit single-byte coded graphic character sets -- Part 7: Latin/Greek alphabet".
- [30] ISO/IEC 8859-8: "Information technology -- 8-bit single-byte coded graphic character sets -- Part 8: Latin/Hebrew alphabet".
- [31] ISO/IEC 8859-9: "Information technology -- 8-bit single-byte coded graphic character sets -- Part 9: Latin alphabet No. 5".
- [32] ISO/IEC 8859-10: "Information technology -- 8-bit single-byte coded graphic character sets -- Part 10: Latin alphabet No. 6".
- [33] ISO/IEC 8859-11: "Information technology -- 8-bit single-byte coded graphic character sets -- Part 11: Latin/Thai alphabet".
- [34] ISO/IEC 8859-13: "Information technology -- 8-bit single-byte coded graphic character sets -- Part 13: Latin alphabet No. 7".

- [35] ISO/IEC 8859-14: "Information technology -- 8-bit single-byte coded graphic character sets -- Part 14: Latin alphabet No. 8 (Celtic)".
- [36] ISO/IEC 8859-15: "Information technology -- 8-bit single-byte coded graphic character sets -- Part 15: Latin alphabet No. 9".
- [37] CENELEC EN 50221: "Common interface specification for conditional access and other digital video broadcasting decoder applications".
- [38] IEC 61883 (parts 1 and 4): "Consumer audio/video equipment -- Digital interface".
- [39] IEEE™ 1394.1: "IEEE™ Standard for High Performance Serial Bus Bridges".
- [40] ISO 8601: "Data elements and interchange formats -- Information interchange -- Representation of dates and times".
- [41] ISO 3166 (all parts): "Codes for the representation of names of countries and their subdivisions".
- [42] ISO 639-2: "Codes for the representation of names of languages -- Part 2: Alpha-3 code".
- [43] Recommendation ITU-R BS.1196 (appendix 3): "Audio coding for digital broadcasting".
- NOTE: Appendix 3 contains additional information on the AC-3 audio encoding algorithm and decoding requirements, relevant to the present document.
- [44] KSX1001: "Code for Information Interchange (Hangeul and Hanja)", Korean Agency for Technology and Standards, Ref. No. KSX 1001-2004.
- NOTE: Available at <http://unicode.org/Public/MAPPINGS/OBSOLETE/EASTASIA/KSC/KSX1001.TXT>.
- [45] ETSI ES 201 812: "Digital Video Broadcasting (DVB); Multimedia Home Platform (MHP) Specification 1.0.3".
- [46] ETSI TS 102 825 (parts 1 to 5, 7, 9 and 10): "Digital Video Broadcasting (DVB); Content Protection and Copy Management (DVB-CPCM)".
- [47] ETSI EN 302 755: "Digital Video Broadcasting (DVB); Frame structure channel coding and modulation for a second generation digital terrestrial television broadcasting system (DVB-T2)".
- [48] Void.
- [49] ETSI TS 102 770: "Digital Video Broadcasting (DVB); System Renewability Messages (SRM) in DVB Systems".
- [50] ETSI EN 302 583: "Digital Video Broadcasting (DVB); Framing Structure, channel coding and modulation for Satellite Services to Handheld devices (SH) below 3 GHz".
- [51] ETSI TS 102 772: "Digital Video Broadcasting (DVB); Specification of Multi-Protocol Encapsulation - inter-burst Forward Error Correction (MPE-iFEC)".
- [52] IETF RFC 2045: "Multipurpose Internet Mail Extensions (MIME) Part One: Format of Internet Message Bodies".
- [53] ETSI EN 302 769: "Digital Video Broadcasting (DVB); Frame structure channel coding and modulation for a second generation digital transmission system for cable systems (DVB-C2)".
- [54] ETSI TS 101 547-2: "Digital Video Broadcasting (DVB); Plano-stereoscopic 3DTV; Part 2: Frame Compatible Plano-stereoscopic 3DTV".
- [55] ETSI TS 101 547-3: "Digital Video Broadcasting (DVB); Plano-stereoscopic 3DTV; Part 3: HDTV Service Compatible Plano-stereoscopic 3DTV".
- [56] ETSI TS 102 809: "Digital Video Broadcasting (DVB); Signalling and carriage of interactive applications and services in Hybrid Broadcast/Broadband environments".
- [57] ETSI TS 102 773: "Digital Video Broadcasting (DVB); Modulator Interface (T2-MI) for a second generation digital terrestrial television broadcasting system (DVB-T2)".

- [58] GB2312-1980: "Code of Chinese graphic character set for information interchange, primary set".
- [59] IETF RFC 3986: "Uniform Resource Identifiers (URI): Generic Syntax".
- [60] ETSI TS 102 034: "Digital Video Broadcasting (DVB); Transport of MPEG-2 TS Based DVB Services over IP Based Networks".
- [61] ETSI TS 103 190 (V1.1.1): "Digital Audio Compression (AC-4) Standard".
- [62] ETSI TS 101 547-4: "Digital Video Broadcasting (DVB); Plano-stereoscopic 3DTV; Part 4: Service frame compatible Plano-stereoscopic 3DTV for HEVC coded services".

## 2.2 Informative references

References are either specific (identified by date of publication and/or edition number or version number) or non-specific. For specific references, only the cited version applies. For non-specific references, the latest version of the referenced document (including any amendments) applies.

NOTE: While any hyperlinks included in this clause were valid at the time of publication, ETSI cannot guarantee their long term validity.

The following referenced documents are not necessary for the application of the present document but they assist the user with regard to a particular subject area.

- [i.1] ETSI TS 101 162: "Digital Video Broadcasting (DVB); Allocation of identifiers and codes for Digital Video Broadcasting (DVB) systems".
- [i.2] ETSI TS 101 211: "Digital Video Broadcasting (DVB); Guidelines on implementation and usage of Service Information (SI)".
- [i.3] ETSI TS 102 727: "Digital Video Broadcasting (DVB); Multimedia Home Platform (MHP) Specification 1.2.2".
- [i.4] ETSI TR 102 825 (parts 6, 8, 11 to 13): "Digital Video Broadcasting (DVB); Content Protection and Copy Management (DVB-CPCM)".
- [i.5] ETSI TS 102 201: "Digital Video Broadcasting (DVB); Interfaces for DVB Integrated Receiver Decoder (DVB-IRD)".
- [i.6] ETSI EN 300 429: "Digital Video Broadcasting (DVB); Framing structure, channel coding and modulation for cable systems".
- [i.7] ETSI EN 300 421: "Digital Video Broadcasting (DVB); Framing structure, channel coding and modulation for 11/12 GHz satellite services".
- [i.8] ETSI EN 300 744: "Digital Video Broadcasting (DVB); Framing structure, channel coding and modulation for digital terrestrial television".
- [i.9] DVB BlueBook A165: "Digital Video Broadcasting (DVB); Extensions to the CI Plus Specification".
- [i.10] DVB BlueBook A167-2: "Digital Video Broadcasting (DVB); Companion Screens and Streams; Part 2: Content Identification and Media Synchronisation".
- [i.11] ISO/IEC 14496-10: "Information technology -- Coding of audio-visual objects -- Part 10: Advanced Video Coding".

## 3 Definitions and abbreviations

### 3.1 Definitions

For the purposes of the present document, the following terms and definitions apply:

**AC-3:** refers to the coding of audio using the Dolby AC-3 audio compression method defined by ETSI TS 102 366 [14]

**NOTE:** The Service Information requirements for AC-3 streams carried in DVB systems are described in annex D. The carriage of AC-3 elementary streams as private data within MPEG systems is described in clause 6.2 of ETSI TS 101 154 [9].

**AC-4:** refers to the coding of audio using the Dolby AC-4 audio compression method defined by ETSI TS 103 190 [61]

**NOTE:** The Service Information requirements for AC-4 streams carried in DVB systems are described in annex D. The carriage of AC-4 elementary streams as private data within MPEG systems is described in clause 6.5 of ETSI TS 101 154 [9].

**bouquet:** collection of services marketed as a single entity

**broadcaster (SERVICE Provider):** organization which assembles a sequence of events or data streams to be delivered to the viewer; the delivery can be based upon a schedule

**cell:** geographical area that is covered with DVB-T signals delivering one or more particular transport streams throughout the area by means of one or more transmitters

**NOTE:** The cell may in addition contain repeaters. Two neighbouring cells may be intersecting or fully overlapping. The cell\_id that is used to uniquely identify a cell is unique within each original\_network\_id. For hand-over purposes it is more convenient if the transport streams associated with the cell cover exactly the same area, or only one transport stream per cell is used.

**component (ELEMENTARY Stream):** one or more entities which together make up an event

**EXAMPLE:** Video, audio, teletext.

**Conditional Access (CA) system:** system to control subscriber access to services, data streams and events

**EXAMPLE:** Videoguard, Eurocrypt.

**delivery system:** physical medium by which one or more DVB transport streams are transmitted

**EXAMPLE:** Satellite system, wide-band coaxial cable, fibre optics, terrestrial channel of one emitting point.

**dependent stream:** a stream or component which relies on another stream or component in order to be rendered as intended

**EXAMPLE:** A dependent view of a 3D video, or a receiver-mix audio description stream.

**DTS®:** refers to the first generation audio coding system by DTS, Inc. defined by ETSI TS 102 114 [12] version 1.2.1

**NOTE:** The service information requirements for DTS® are found in annex G.

**DTS-HD®:** refers to the enhanced DTS® audio coding system by DTS, Inc. defined by ETSI TS 102 114 [12] version 1.3.1 and later. Note that DTS-HD® is a superset of DTS®

**NOTE:** The service information requirements for DTS-HD® are found in annex G.

**DVB transport stream:** an MPEG-2 transport stream [18] containing the mandatory DVB-SI signalling as defined in the present document

**NOTE:** It is recommended that the DVB-SI implementation guidelines [i.2] should be followed in addition. They define additional requirements for the signalling to help improve the quality of experience for viewers.

**event:** grouping of elementary broadcast data streams with a defined start time and duration belonging to a common service

EXAMPLE: First half of a football match, News Flash, first part of an entertainment show.

**forbidden:** when used in the clauses defining the coded bit stream, indicates that the value is never used

**MPEG-2:** See ISO/IEC 13818 [18].

NOTE: Systems coding is defined in part 1 [18]. Video coding is defined in part 2 [19]. Audio coding is defined in part 3 [20].

**network:** managed and navigable collection of DVB transport streams transmitted on one or more delivery systems generally based on the same physical medium

NOTE 1: It is possible to operate both, first and second generation delivery systems in the same network (e.g. DVB-T and DVB-T2).

NOTE 2: A network is identified by its `network_id`. It might be composed of one or more emitting sites.

**n PSK:** n-valued Phase Shift Keying (other than quaternary)

**original\_network\_id:** unique identifier of a broadcast platform operator

NOTE: This value is assigned by DVB.

**repeater:** equipment which allows reception of a terrestrial signal and to re-transmit it unchanged

NOTE: Hence it does not support changing of the `cell_id`.

**reserved:** when used in the clause defining the coded bit stream, indicates that the value may be used in the future for ISO defined extensions

NOTE: Unless otherwise specified within the present document all "reserved" bits are set to "1".

**reserved\_future\_use:** when used in the clause defining the coded bit stream, indicates that the value may be used in the future for ETSI defined extensions

NOTE: Unless otherwise specified within the present document all "reserved\_future\_use" bits are set to "1".

**section:** syntactic structure used for mapping all service information defined in the present document into ISO/IEC 13818-1 [18] TS packets

**service:** a grouping (usually defined by a PMT) of one or more data streams which are offered as a whole to the user

**service\_id:** unique identifier of a service within a DVB transport stream

NOTE: In areas where ETSI TS 101 211 [i.2] is applicable in addition to the present document, a `service_id` is also unique within the scope of an `original_network_id`.

**Service Information (SI):** describes the delivery system, and the content and scheduling/timing of services and events

NOTE: It includes MPEG-2 Program Specific Information (PSI) together with DVB-defined extensions.

**subcell:** geographical area that is part of the cells coverage area and that is covered with DVB-T signals by means of a transposer

NOTE: In conjunction with the `cell_id` the `cell_id_extension` is used to uniquely identify a subcell.

**sub\_table:** collection of sections with the same value of `table_id` and:

- for a NIT: the same `table_id_extension` (`network_id`) and `version_number`;
- for a BAT: the same `table_id_extension` (`bouquet_id`) and `version_number`;
- for a SDT: the same `table_id_extension` (`transport_stream_id`), the same `original_network_id` and `version_number`;

- for a EIT: the same table\_id\_extension (service\_id), the same transport\_stream\_id, the same original\_network\_id and version\_number.

NOTE: The table\_id\_extension field is equivalent to the fourth and fifth byte of a section when the section\_syntax\_indicator is set to a value of "1".

**table:** comprised of a number of sub\_tables with the same value of table\_id

**transmitter:** equipment that emits a modulated DVB stream

**Transport Stream (TS):** data structure defined in ISO/IEC 13818-1 [18]

NOTE: It is the basis of the DVB standards.

**transport\_stream\_id:** unique identifier of a TS within an original network

**transposer:** special type of repeater which receives a terrestrial DVB signal and re-transmits it on a different frequency

The relationships of some of these definitions are illustrated in the service delivery model in figure 1.

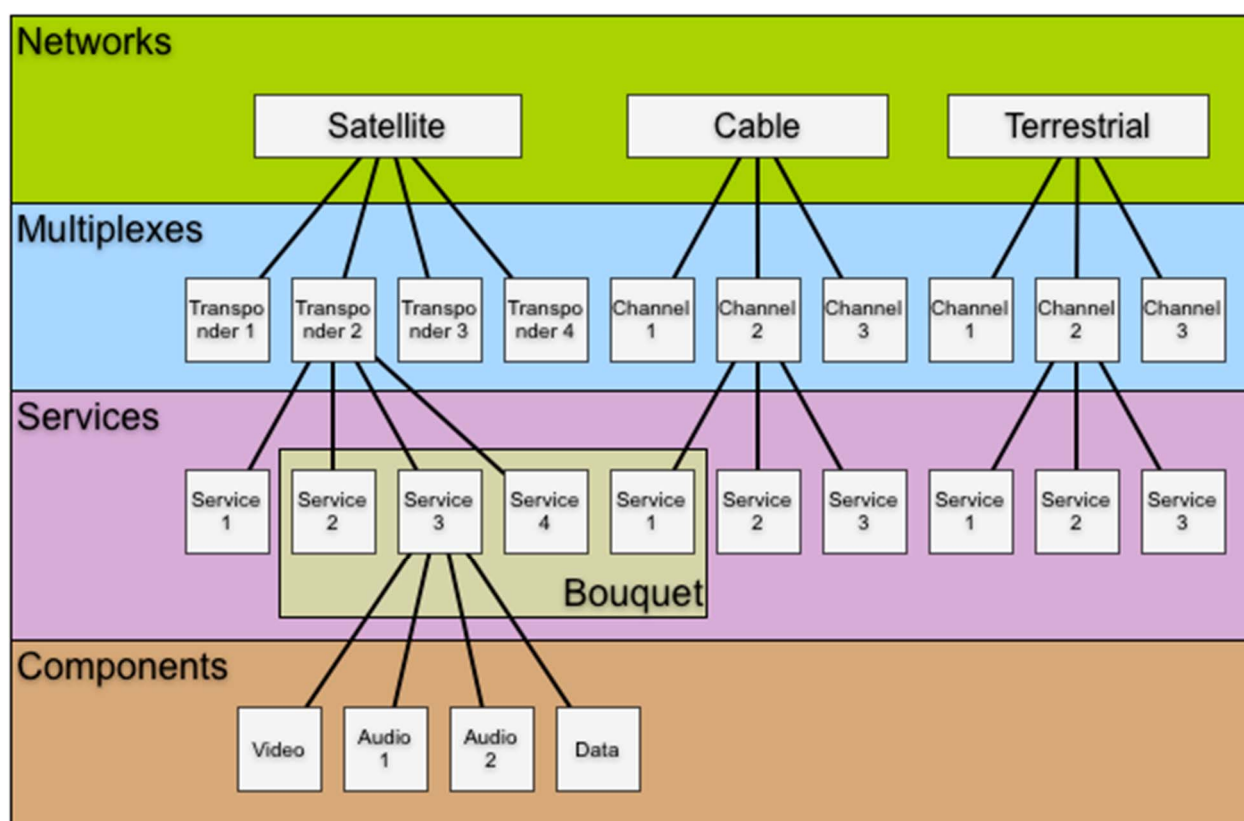


Figure 1: Digital broadcasting, service delivery model

## 3.2 Abbreviations

For the purposes of the present document, the following abbreviations apply:

3DTV                Three Dimensional Television  
 AAC                Advanced Audio Coding

NOTE: See ETSI TS 101 154 [9].

AC-3                AC-3 audio coding

NOTE: See Recommendation ITU-R BS.1196 [43].

AC-4 AC-4 audio coding

NOTE: See ETSI TS 103 190 [61].

AC-4 TOC AC-4 Table of Contents

NOTE: See ETSI TS 103 190 [61].

AMODE Audio Channel Arrangement  
 ASCII American Standard Code for Information Interchange  
 ATIS Alliance for Telecommunications Industry Solutions  
 AVC Advanced Video Coding

NOTE: See ETSI TS 101 154 [9].

BAT Bouquet Association Table  
 BCD Binary Coded Decimal  
 BMP Basic Multilingual Plane

NOTE: See ISO/IEC 10646 [16].

bslbf bit string, left bit first

NOTE: The rightmost bit of a bslbf field is always referred to as  $b_0$ . This will be the last bit of the field transmitted.

CA Conditional Access  
 CAM Conditional Access Module  
 CAT Conditional Access Table  
 CATV Cable Television  
 CI Content Identifier  
 CIT Content Identifier Table

NOTE: See ETSI TS 102 323 [13].

CLUT Colour Look-Up Table  
 CP Content Protection  
 CPCM Content Protection Copy Management  
 CRC Cyclic Redundancy Check  
 CR/LF Carriage Return/Line Feed  
 DAB Digital Audio Broadcasting  
 DIT Discontinuity Information Table  
 DSNG Digital Satellite News Gathering  
 DTCP Digital Transmission Content Protection  
 DTS® DTS® audio coding  
 DTS-HD® DTS-HD® audio coding

NOTE: For DTS®, and DTS-HD®, see ETSI TS 102 114 [12].

DVB Digital Video Broadcasting  
 DVB-C DVB Cable Framing and Modulation

NOTE: See ETSI EN 300 429 [i.6].

DVB-CI DVB Common Interface

NOTE: See DVB BlueBook A165 [i.9].

DVB-S DVB Satellite Framing and Modulation

NOTE: See ETSI EN 300 421 [i.7].

DVB-SH DVB Satellite to Handheld Framing and Modulation

NOTE: See ETSI EN 302 583 [50].

DVB-T DVB Terrestrial Framing and Modulation

NOTE: See ETSI EN 300 744 [i.8].

DVD Digital Versatile Disc  
 EBU European Broadcasting Union  
 ECM Entitlement Control Message

NOTE: See ISO/IEC 13818-1 [18].

EIT Event Information Table  
 EMM Entitlement Management Message

NOTE: See ISO/IEC 13818-1 [18].

EPG Electronic Programme Guide  
 ES Elementary Stream  
 FC Frame Compatible  
 FEC Forward Error Correction  
 FFT Fast Fourier Transform  
 FLS Forward Link Signalling

NOTE: See ETSI EN 301 790 [7].

FM Frequency Modulation  
 FSIZE Primary Frame Byte Size

NOTE: See ETSI TS 102 114 [12].

FTA Free-To-Air  
 HD High Definition (Video)  
 HDCP High-bandwidth Digital Content Protection  
 HE AAC High Efficiency AAC  
 HE High Efficiency  
 HEVC High Efficiency Video Coding  
 HP High Priority  
 IEC International Electrotechnical Commission  
 INT IP Notification Table

NOTE: See ETSI EN 301 192 [4].

IP Internet Protocol  
 IP/MAC Internet Protocol/Medium Access Control  
 IRD Integrated Receiver Decoder  
 ISI Input Stream Identifier

NOTE: See ETSI EN 302 307 [8].

ISO International Organization for Standardization  
 ISSY Input Stream Synchronizer

NOTE: See ETSI EN 302 769 [53].

JPEG Joint Photographic Experts Group

NOTE: A joint committee between ISO/IEC JTC1 and ITU-T.

LFE Low Frequency Effects

NOTE: See ETSI TS 102 114 [12].

LP Low Priority  
 MHP Multimedia Home Platform  
 MI Modulator Interface

NOTE: See ETSI TS 102 773 [57].



MISO	Multiple Input, Single Output
MJD	Modified Julian Date
MPE	Multiprotocol Encapsulation
MPEG	Moving Pictures Expert Group
MRS	Material Resolution Server

NOTE: See BlueBook A167-2 [i.10].

MSB	Most Significant Bit
MVC	Multi-View video Coding

NOTE: See ISO/IEC 14496-10 [i.11].

NBC-BS	Non Backwards Compatible Broadcast Services (DVB-S2)
NBLKS	Number of PCM Sample Blocks

NOTE: See ETSI TS 102 114 [12].

NDA	Non Disclosure Agreement
NIT	Network Information Table
NVOD	Near Video On Demand
OFDM	Orthogonal Frequency Division Multiplex
OSDT	Online SDT

NOTE: See DVB BlueBook A165 [i.9].

PAT	Program Association Table
paTS	Partially available Transport Stream (DVB-SH)
PCM	Pulse-code modulation
PDC	Programme Delivery Control
PES	Packetized Elementary Stream
PID	Packet IDentifier
PIL	Programme Identification Label
PLP	Physical Layer Pipe
PMT	Program Map Table
PNG	Portable Network Graphics
PSI	Program Specific Information
PSTN	Public Switched Telephone Network
QAM	Quadrature Amplitude Modulation
QPSK	Quaternary Phase Shift Keying
RAM	Random Access Memory
RAR	Resolution Authority Record
RCS	Return Channel Satellite

NOTE: See ETSI EN 301 790 [7].

RDS	Radio Data System
RFC	Request For Comments
RNT	RAR Notification Table
rpchof	remainder polynomial coefficients, highest order first
RS	Reed-Solomon
RST	Running Status Table
SAOC-DE	Spatial Audio Object Coding - Dialogue Enhancement
SC	Service Compatible
ScF	Scale Factor
SD	Standard Definition (Video)
SD&S	Service Discovery and Selection

NOTE: See ETSI TS 102 034 [60].

SDT	Service Description Table
SEI	Supplemental Enhancement Information

NOTE: See ETSI TS 101 154 [9].

SFN Single Frequency Network  
 SFREQ Core Audio Sampling Frequency

NOTE: See ETSI TS 102 114 [12].

SI Service Information  
 SISO Single Input, Single Output  
 SIT Selection Information Table  
 SMATV Satellite Master Antenna Television  
 SMI Storage Media Interoperability  
 SRM System Renewability Message  
 SSU System Software Update

NOTE: See ETSI EN 301 192 [4].

ST Stuffing Table  
 tcimsbf Two's complement integer, msb (sign) bit first  
 TDM Time-Domain Multiplex  
 TDT Time and Date Table  
 TFS Time Frequency Slicing (DVB-T2)  
 TOT Time Offset Table  
 TPS Transmission Parameter Signalling  
 TS Transport Stream  
 TSMT Transport Stream Description Table  
 TVA TV-Anytime

NOTE: See <http://www.tv-anytime.org>.

UECP Universal Encoder Communication Protocol (RDS)  
 UHD Ultra High Definition (Video)  
 uimsbf unsigned integer most significant bit first  
 URI Uniform Resource Identifier  
 URL Uniform Resource Locator  
 USI Usage State Information  
 UTC Universal Time, Co-ordinated  
 UTF-8 UCS Transformation Format, 8-bit

NOTE: See ISO/IEC 10646 [16].

VBI Vertical Blanking Interval

NOTE: See ETSI TS 101 154 [9].

VPS Video Programme System  
 WSS Wide Screen Signalling  
 XAIT XML encoding for AIT

NOTE: See ETSI TS 102 727 [i.3].

## 4 Service Information (SI) description

ISO/IEC 13818-1 [18] specifies SI which is referred to as PSI. The PSI data provides information to enable automatic configuration of the receiver to demultiplex and decode the various streams of programs within the multiplex.

The PSI data is structured as four types of table. The tables are transmitted in sections.

### 1) Program Association Table (PAT):

- for each service in the multiplex, the PAT indicates the location (the Packet Identifier (PID) values of the Transport Stream (TS) packets) of the corresponding Program Map Table (PMT). It also gives the location of the Network Information Table (NIT).

- 2) Conditional Access Table (CAT):
  - the CAT provides information on the CA systems used in the multiplex; the information is private (not defined within the present document) and dependent on the CA system, but includes the location of the EMM stream, when applicable.
- 3) Program Map Table (PMT):
  - the PMT identifies and indicates the locations of the streams that make up each service and the location of the Program Clock Reference fields for a service.
- 4) Network Information Table (NIT):
  - the location of the NIT is defined in the present document in compliance with ISO/IEC 13818-1 [18] specification, but the data format is outside the scope of ISO/IEC 13818-1 [18]. It is intended to provide information about the physical network. The syntax and semantics of the NIT are defined in the present document.

In addition to the PSI, data is needed to provide identification of services and events for the user. The coding of this data is defined in the present document. In contrast with the PAT, CAT, and PMT of the PSI, which give information only for the multiplex in which they are contained (the actual multiplex), the additional information defined within the present document can also provide information on services and events carried by different multiplexes, and even on other networks. This data is structured as nine tables:

- 1) Bouquet Association Table (BAT):
  - the BAT provides information regarding bouquets. As well as giving the name of the bouquet, it provides a list of services for each bouquet.
- 2) Service Description Table (SDT):
  - the SDT contains data describing the services in the system e.g. names of services, the service provider, etc.
- 3) Event Information Table (EIT):
  - the EIT contains data concerning events or programmes such as event name, start time, duration, etc.;
  - the use of different descriptors allows the transmission of different kinds of event information e.g. for different service types.
- 4) Running Status Table (RST):
  - the RST gives the status of an event (running/not running). The RST updates this information and allows timely automatic switching to events.
- 5) Time and Date Table (TDT):
  - the TDT gives information relating to the present time and date. This information is given in a separate table due to the frequent updating of this information.
- 6) Time Offset Table (TOT):
  - the TOT gives information relating to the present time and date and local time offset. This information is given in a separate table due to the frequent updating of the time information.
- 7) Stuffing Table (ST):
  - the ST is used to invalidate existing sections, for example at delivery system boundaries.
- 8) Selection Information Table (SIT):
  - the SIT is used only in "partial" (i.e. recorded) bitstreams. It carries a summary of the SI information required to describe the streams in the partial bitstream.

## 9) Discontinuity Information Table (DIT):

- the DIT is used only in "partial" (i.e. recorded) bitstreams. It is inserted where the SI information in the partial bitstream may be discontinuous.

Where applicable the use of descriptors allows a flexible approach to the organization of the tables and allows for future compatible extensions.

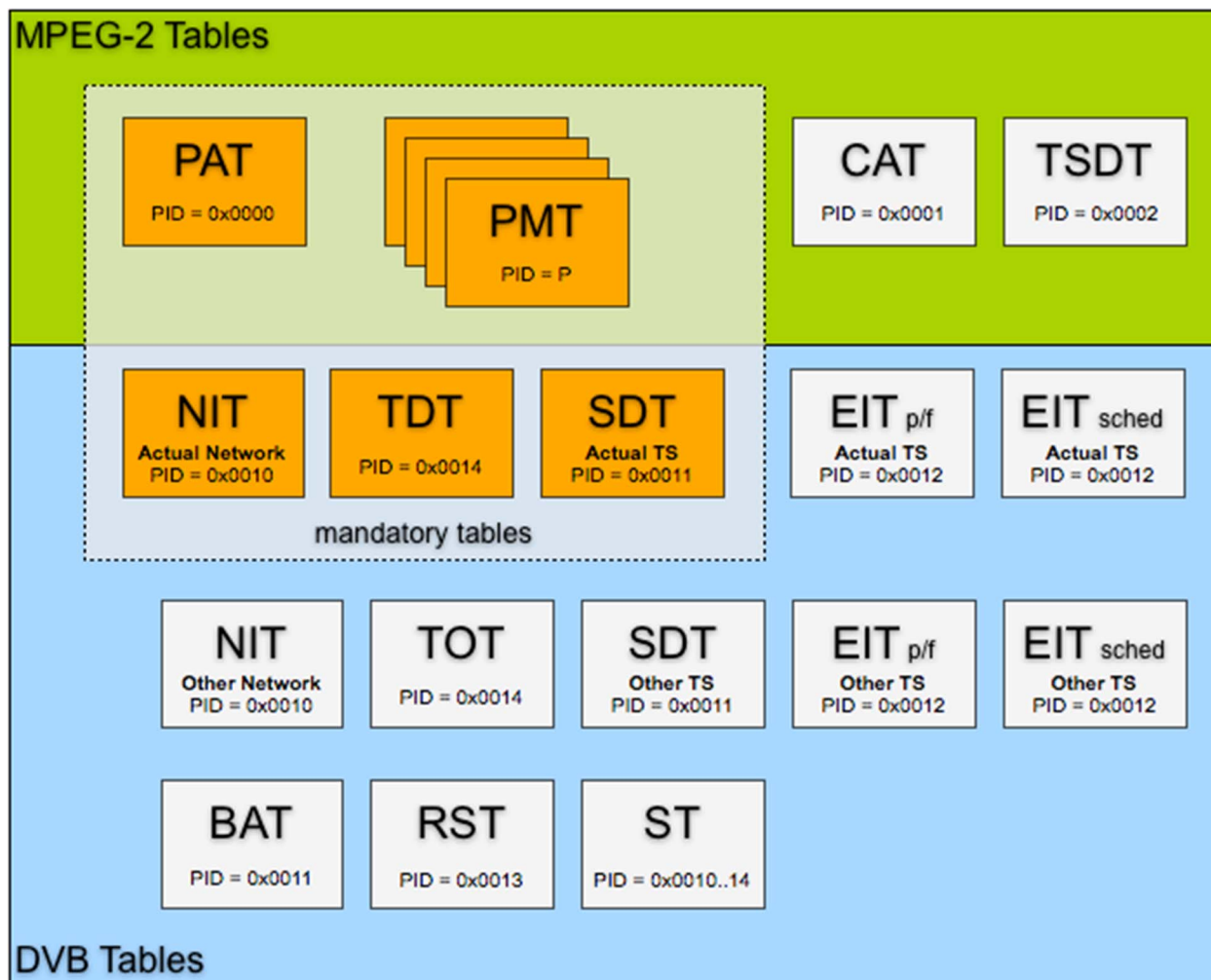


Figure 2: General organization of the Service Information (SI)

## 5 Service Information (SI) tables

### 5.1 SI table mechanism

#### 5.1.1 Use of table sections

The SI specified in the present document and MPEG-2 PSI tables shall be segmented into one or more sections before being inserted into TS packets.

The tables listed in clause 4 are conceptual in that they need never be regenerated in a specified form within an IRD. The tables, when transmitted shall not be scrambled, with the exception of the EIT, which may be scrambled if required (see clause 5.1.5).

A section is a syntactic structure that shall be used for mapping all MPEG-2 tables and SI tables specified in the present document, into TS packets.

These SI syntactic structures conform to the private section syntax defined in ISO/IEC 13818-1 [18].

Sections may be variable in length. The sections within each table are limited to 1 024 bytes in length, except for sections within the EIT which are limited to 4 096 bytes. Each section is uniquely identified by the combination of the following elements:

- a) `table_id`:
  - The `table_id` identifies to which table the section belongs.
  - Some `table_ids` have been defined by ISO and others by ETSI. Other values of the `table_id` can be allocated by the user for private purposes. The list of values of `table_id` is contained in table 2.
- b) `table_id_extension`:
  - The `table_id_extension` is used for identification of a `sub_table`.
  - The interpretation of each `sub_table` is given in clause 5.2.
- c) `section_number`:
  - The `section_number` field allows the sections of a particular `sub_table` to be reassembled in their original order by the decoder. It is recommended, that sections are transmitted in numerical order, unless it is desired to transmit some sections of the `sub_table` more frequently than others, e.g. due to random access considerations.
  - For the SI tables as specified in the present document, section numbering applies to `sub_tables`.
- d) `version_number`:
  - When the characteristics of the TS described in the SI given in the present document change (e.g. new events start, different composition of elementary streams for a given service), then new SI data shall be sent containing the updated information. A new version of the SI data is signalled by sending a `sub_table` with the same identifiers as the previous `sub_table` containing the relevant data, but with the next value of `version_number`.
  - For the SI tables specified in the present document, the `version_number` applies to all sections of a `sub_table`.
- e) `Current_next_indicator`:
  - Each section shall be numbered as valid "now" (current), or as valid in the immediate future (next). This allows the transmission of a future version of the SI in advance of the change, giving the decoder the opportunity to prepare for the change. There is however, no requirement to transmit the next version of a section in advance, but if it is transmitted, then it shall be the next correct version of that section.

### 5.1.2 Mapping of sections into Transport Stream (TS) packets

Sections shall be mapped directly into TS packets. Sections may start at the beginning of the payload of a TS packet, but this is not a requirement, because the start of the first section in the payload of a TS packet is pointed to by the `pointer_field`. There is never more than one `pointer_field` in a TS packet, as the start of any other section can be identified by counting the length of the first and any subsequent sections, since no gaps between sections within a TS packet are allowed by the syntax.

Within TS packets of any single PID value, one section is finished before the next one is allowed to be started, or else it is not possible to identify to which section header the data belongs. If a section finishes before the end of a TS packet, but it is not convenient to open another section, a stuffing mechanism may be used to fill up the space.

Stuffing may be performed by filling each remaining byte of the TS packet with the value "0xFF". Consequently the value "0xFF" shall not be used for the `table_id`. If the byte immediately following the last byte of a section takes the value of "0xFF", then the rest of the TS packet shall be stuffed with "0xFF" bytes. These bytes may be discarded by a decoder. Stuffing may also be performed using the `adaptation_field` mechanism.

For a more detailed description of the mechanism and functionality, specifically refer to clause 2.4.4 and annex C of ISO/IEC 13818-1 [18].

### 5.1.3 Coding of PID and table\_id fields

Table 1 lists the PID values which shall be used for the TS packets which carry SI sections.

**Table 1: PID allocation for SI**

Table	PID value
PAT	0x0000
CAT	0x0001
TSDT	0x0002
reserved	0x0003 to 0x000F
NIT, ST	0x0010
SDT, BAT, ST	0x0011
EIT, ST, CIT (ETSI TS 102 323 [13])	0x0012
RST, ST	0x0013
TDT, TOT, ST	0x0014
network synchronization	0x0015
RNT (ETSI TS 102 323 [13])	0x0016
reserved for future use	0x0017 to 0x001B
link-local inband signalling	0x001C
measurement	0x001D
DIT	0x001E
SIT	0x001F

The PID value 0x001C allocated to link-local inband signalling shall not be used on any broadcast signals. It shall only be used between devices in a controlled environment.

NOTE: The PID 0x001C can for example be used within a broadcast centre, between a receiver device and a CAM, or on private satellite links.

Table 2 lists the values which shall be used for table\_id for the service information, defined in the present document.

**Table 2: Allocation of table\_id values**

Value	Description
0x00	program_association_section
0x01	conditional_access_section
0x02	program_map_section
0x03	transport_stream_description_section
0x04 to 0x3F	reserved
0x40	network_information_section - actual_network
0x41	network_information_section - other_network
0x42	service_description_section - actual_transport_stream
0x43 to 0x45	reserved for future use
0x46	service_description_section - other_transport_stream
0x47 to 0x49	reserved for future use
0x4A	bouquet_association_section
0x4B	update notification table section (ETSI TS 102 006 [11])
0x4C to 0x4D	reserved for future use
0x4E	event_information_section - actual_transport_stream, present/following
0x4F	event_information_section - other_transport_stream, present/following
0x50 to 0x5F	event_information_section - actual_transport_stream, schedule
0x60 to 0x6F	event_information_section - other_transport_stream, schedule
0x70	time_date_section
0x71	running_status_section
0x72	stuffing_section
0x73	time_offset_section
0x74	application information section (ETSI TS 102 812 [15])
0x75	container section (ETSI TS 102 323 [13])
0x76	related content section (ETSI TS 102 323 [13])
0x77	content identifier section (ETSI TS 102 323 [13])
0x78	MPE-FEC section (ETSI EN 301 192 [4])
0x79	resolution provider notification section (ETSI TS 102 323 [13])

Value	Description
0x7A	MPE-IFEC section (ETSI TS 102 772 [51])
0x7B to 0x7D	reserved for future use
0x7E	discontinuity_information_section
0x7F	selection_information_section
0x80 to 0xFE	user defined
0xFF	reserved

### 5.1.4 Repetition rates and random access

In systems where random access is a consideration, it is recommended to re-transmit SI sections specified within the present document several times, even when changes do not occur in the configuration.

For SI specified within the present document the minimum time interval between the arrival of the last byte of a section to the first byte of the next transmitted section with the same PID, table\_id and table\_id\_extension and with the same or different section\_number shall be 25 ms. This limit applies for TSs with a total data rate of up to 100 Mbit/s.

### 5.1.5 Scrambling

With the exception of the EIT carrying schedule information, all tables specified in the present document shall not be scrambled. One method for scrambling the EIT schedule table is given in annex E (Usage of the Scrambling\_descriptor). If a scrambling method operating over TS packets is used, it may be necessary to use a stuffing mechanism to fill from the end of a section to the end of a packet so that any transitions between scrambled and unscrambled data occur at packet boundaries.

In order to identify the CA streams which control the descrambling of the EIT data, a scrambled EIT schedule table shall be identified in the PSI. Service\_id value 0xFFFF is allocated to identifying a scrambled EIT, and the program map section for this service shall describe the EIT as a private stream and shall include one or more CA\_descriptors (defined in ISO/IEC 13818-1 [18]) which give the PID values and optionally, other private data to identify the associated CA streams. Service\_id value 0xFFFF shall not be used for any other service.

## 5.2 Table definitions

### 5.2.0 Introduction

The following clauses describe the syntax and semantics of the different types of table.

NOTE: The symbols and abbreviations, and the method of describing syntax used in the present document are the same as those defined in clauses 2.2 and 2.3 of ISO/IEC 13818-1 [18].

### 5.2.1 Network Information Table (NIT)

The NIT (see table 3) conveys information relating to the physical organization of the multiplexes/TSs carried via a given network, and the characteristics of the network itself. The combination of original\_network\_id and transport\_stream\_id allow each TS to be uniquely identified throughout the application area of the present document. Networks are assigned individual network\_id values, which serve as unique identification codes for networks. The allocation of these codes may be found in ETSI TS 101 162 [i.1]. The network\_id and the original\_network\_id can take the same value, or may have to take different values subject to the allocation constraints for original\_network\_id and network\_id as per ETSI TS 101 162 [i.1].

Guidelines for the processing of SI at transitions between delivery media boundaries, e.g. from satellite to cable or SMATV systems, can be found in ETSI TS 101 211 [i.2].

IRDs may be able to store the NIT information in non-volatile memory in order to minimize the access time when switching between channels ("channel hopping"). It is also possible to transmit a NIT for other networks in addition to the actual network. Differentiation between the NIT for the actual network and the NIT for other networks is achieved using different table\_id values (see table 2).

The NIT shall be segmented into network\_information\_sections using the syntax of table 3. Any sections forming part of an NIT shall be transmitted in TS packets with a PID value of 0x0010. Any sections of the NIT which describe the actual network (that is, the network of which the TS containing the NIT is a part) shall have the table\_id 0x40 with the same table\_id\_extension (network\_id). The network\_id field takes the value assigned to the actual network in ETSI TS 101 162 [i.1]. Any sections of an NIT which refer to a network other than the actual network shall take a table\_id value of 0x41 and the network\_id shall take the value allocated to the other network in ETSI TS 101 162 [i.1].

**Table 3: Network information section**

Syntax	Number of bits	Identifier
network_information_section(){		
table_id	8	uimsbf
section_syntax_indicator	1	bslbf
reserved_future_use	1	bslbf
reserved	2	bslbf
section_length	12	uimsbf
network_id	16	uimsbf
reserved	2	bslbf
version_number	5	uimsbf
current_next_indicator	1	bslbf
section_number	8	uimsbf
last_section_number	8	uimsbf
reserved_future_use	4	bslbf
network_descriptors_length	12	uimsbf
for(i=0;i<N;i++){		
descriptor()		
}		
reserved_future_use	4	bslbf
transport_stream_loop_length	12	uimsbf
for(i=0;i<N;i++){		
transport_stream_id	16	uimsbf
original_network_id	16	uimsbf
reserved_future_use	4	bslbf
transport_descriptors_length	12	uimsbf
for(j=0;j<N;j++){		
descriptor()		
}		
}		
CRC_32	32	rpchof
}		

#### Semantics for the network information section:

**table\_id:** See table 2.

**section\_syntax\_indicator:** The section\_syntax\_indicator is a 1-bit field which shall be set to "1".

**section\_length:** This is a 12-bit field, the first two bits of which shall be "00". It specifies the number of bytes of the section, starting immediately following the section\_length field and including the CRC. The section\_length shall not exceed 1 021 so that the entire section has a maximum length of 1 024 bytes.

**network\_id:** This is a 16-bit field which serves as a label to identify the delivery system, about which the NIT informs, from any other delivery system. Allocations of the value of this field are found in ETSI TS 101 162 [i.1].

**version\_number:** This 5-bit field is the version number of the sub\_table. The version\_number shall be incremented by 1 when a change in the information carried within the sub\_table occurs. When it reaches value 31, it wraps around to 0. When the current\_next\_indicator is set to "1", then the version\_number shall be that of the currently applicable sub\_table defined by the table\_id and network\_id. When the current\_next\_indicator is set to "0", then the version\_number shall be that of the next applicable sub\_table defined by the table\_id and network\_id.

**current\_next\_indicator:** This 1-bit indicator, when set to "1" indicates that the sub\_table is the currently applicable sub\_table. When the bit is set to "0", it indicates that the sub\_table sent is not yet applicable and shall be the next sub\_table to be valid.



**section\_number:** This 8-bit field gives the number of the section. The section\_number of the first section in the sub\_table shall be "0x00". The section\_number shall be incremented by 1 with each additional section with the same table\_id and network\_id.

**last\_section\_number:** This 8-bit field specifies the number of the last section (that is, the section with the highest section\_number) of the sub\_table of which this section is part.

**network\_descriptors\_length:** This 12-bit field gives the total length in bytes of the following network descriptors.

**transport\_stream\_loop\_length:** This is a 12-bit field specifying the total length in bytes of the TS loops that follow, ending immediately before the first CRC-32 byte.

**transport\_stream\_id:** This is a 16-bit field which serves as a label for identification of this TS from any other multiplex within the delivery system.

**original\_network\_id:** This 16-bit field gives the label identifying the network\_id of the originating delivery system.

**transport\_descriptors\_length:** This is a 12-bit field specifying the total length in bytes of TS descriptors that follow.

**CRC\_32:** This is a 32-bit field that contains the CRC value that gives a zero output of the registers in the decoder defined in annex B after processing the entire section.

## 5.2.2 Bouquet Association Table (BAT)

The BAT (see table 4) provides information regarding bouquets. A bouquet is a collection of services, which may traverse the boundary of a network.

The BAT shall be segmented into bouquet\_association\_sections using the syntax of table 4. Any sections forming part of a BAT shall be transmitted in TS packets with a PID value of 0x0011. The sections of a BAT sub\_table describing a particular bouquet shall have the bouquet\_id field taking the value assigned to the bouquet described in ETSI TS 101 162 [i.1]. All BAT sections shall take a table\_id value of 0x4A.

**Table 4: Bouquet association section**

Syntax	Number of bits	Identifier
bouquet_association_section(){		
table_id	8	uimsbf
section_syntax_indicator	1	bslbf
reserved_future_use	1	bslbf
reserved	2	bslbf
section_length	12	uimsbf
bouquet_id	16	uimsbf
reserved	2	bslbf
version_number	5	uimsbf
current_next_indicator	1	bslbf
section_number	8	uimsbf
last_section_number	8	uimsbf
reserved_future_use	4	bslbf
bouquet_descriptors_length	12	uimsbf
for(i=0;i<N;i++){		
descriptor()		
}		
reserved_future_use	4	bslbf
transport_stream_loop_length	12	uimsbf
for(i=0;i<N;i++){		
transport_stream_id	16	uimsbf
original_network_id	16	uimsbf
reserved_future_use	4	bslbf
transport_descriptors_length	12	uimsbf
for(j=0;j<N;j++){		
descriptor()		
}		
}		
CRC_32	32	rpchof
}		

**Semantics for the bouquet association section:**

**table\_id:** See table 2.

**section\_syntax\_indicator:** The section\_syntax\_indicator is a 1-bit field which shall be set to "1".

**section\_length:** This is a 12-bit field, the first two bits of which shall be "00". It specifies the number of bytes of the section, starting immediately following the section\_length field and including the CRC. The section\_length shall not exceed 1 021 so that the entire section has a maximum length of 1 024 bytes.

**bouquet\_id:** This is a 16-bit field which serves as a label to identify the bouquet. Allocations of the value of this field are found in ETSI TS 101 162 [i.1].

**version\_number:** This 5-bit field is the version number of the sub\_table. The version\_number shall be incremented by 1 when a change in the information carried within the sub\_table occurs. When it reaches value 31, it wraps around to 0. When the current\_next\_indicator is set to "1", then the version\_number shall be that of the currently applicable sub\_table defined by the table\_id and bouquet\_id. When the current\_next\_indicator is set to "0", then the version\_number shall be that of the next applicable sub\_table defined by the table\_id and bouquet\_id.

**current\_next\_indicator:** This 1-bit indicator, when set to "1" indicates that the sub\_table is the currently applicable sub\_table. When the bit is set to "0", it indicates that the sub\_table sent is not yet applicable and shall be the next sub\_table to be valid.

**section\_number:** This 8-bit field gives the number of the section. The section\_number of the first section in the sub\_table shall be "0x00". The section\_number shall be incremented by 1 with each additional section with the same table\_id and bouquet\_id.

**last\_section\_number:** This 8-bit field specifies the number of the last section (that is, the section with the highest section\_number) of the sub\_table of which this section is part.

**bouquet\_descriptors\_length:** This 12-bit field gives the total length in bytes of the following descriptors.

**transport\_stream\_loop\_length:** This is a 12-bit field specifying the total length in bytes of the TS loop that follows.

**transport\_stream\_id:** This is a 16-bit field which serves as a label for identification of this TS from any other multiplex within the delivery system.

**original\_network\_id:** This 16-bit field gives the label identifying the network\_id of the originating delivery system.

**transport\_descriptors\_length:** This is a 12-bit field specifying the total length in bytes of TS descriptors that follow.

**CRC\_32:** This is a 32-bit field that contains the CRC value that gives a zero output of the registers in the decoder defined in annex B after processing the entire private section.

### 5.2.3 Service Description Table (SDT)

Each sub\_table of the SDT (see table 5) shall describe services that are contained within a particular TS. The services may be part of the actual TS or part of other TSs, these being identified by means of the table\_id (see table 2).

The SDT shall be segmented into service\_description\_sections using the syntax of table 5. Any sections forming part of an SDT shall be transmitted in TS packets with a PID value of 0x0011. Any sections of the SDT which describe the actual TS (that is, the TS containing the SDT) shall have the table\_id value 0x42 with the same table\_id\_extension (transport\_stream\_id) and with the same original\_network\_id. Any sections of an SDT which refer to a TS other than the actual TS shall take a table\_id value of 0x46.

**Table 5: Service description section**

Syntax	Number of bits	Identifier
service_description_section(){		
table_id	8	uimsbf
section_syntax_indicator	1	bslbf
reserved_future_use	1	bslbf
reserved	2	bslbf
section_length	12	uimsbf
transport_stream_id	16	uimsbf
reserved	2	bslbf
version_number	5	uimsbf
current_next_indicator	1	bslbf
section_number	8	uimsbf
last_section_number	8	uimsbf
original_network_id	16	uimsbf
reserved_future_use	8	bslbf
for (i=0;i<N;i++){		
service_id	16	uimsbf
reserved_future_use	6	bslbf
EIT_schedule_flag	1	bslbf
EIT_present_following_flag	1	bslbf
running_status	3	uimsbf
free_CA_mode	1	bslbf
descriptors_loop_length	12	uimsbf
for (j=0;j<N;j++){		
descriptor()		
}		
}		
CRC_32	32	rpchof
}		

**Semantics for the service description section:**

**table\_id:** See table 2.

**section\_syntax\_indicator:** The section\_syntax\_indicator is a 1-bit field which shall be set to "1".

**section\_length:** This is a 12-bit field, the first two bits of which shall be "00". It specifies the number of bytes of the section, starting immediately following the section\_length field and including the CRC. The section\_length shall not exceed 1 021 so that the entire section has a maximum length of 1 024 bytes.

**transport\_stream\_id:** This is a 16-bit field which serves as a label for identification of the TS, about which the SDT informs, from any other multiplex within the delivery system.

**version\_number:** This 5-bit field is the version number of the sub\_table. The version\_number shall be incremented by 1 when a change in the information carried within the sub\_table occurs. When it reaches value "31", it wraps around to "0". When the current\_next\_indicator is set to "1", then the version\_number shall be that of the currently applicable sub\_table. When the current\_next\_indicator is set to "0", then the version\_number shall be that of the next applicable sub\_table.

**current\_next\_indicator:** This 1-bit indicator, when set to "1" indicates that the sub\_table is the currently applicable sub\_table. When the bit is set to "0", it indicates that the sub\_table sent is not yet applicable and shall be the next sub\_table to be valid.

**section\_number:** This 8-bit field gives the number of the section. The section\_number of the first section in the sub\_table shall be "0x00". The section\_number shall be incremented by 1 with each additional section with the same table\_id, transport\_stream\_id, and original\_network\_id.

**last\_section\_number:** This 8-bit field specifies the number of the last section (that is, the section with the highest section\_number) of the sub\_table of which this section is part.

**original\_network\_id:** This 16-bit field gives the label identifying the network\_id of the originating delivery system.

**service\_id:** This is a 16-bit field which serves as a label to identify this service from any other service within the TS. The service\_id is the same as the program\_number in the corresponding program\_map\_section.

**EIT\_schedule\_flag:** This is a 1-bit field which when set to "1" indicates that EIT schedule information for the service is present in the current TS, see ETSI TS 101 211 [i.2] for information on maximum time interval between occurrences of an EIT schedule sub\_table). If the flag is set to 0 then the EIT schedule information for the service should not be present in the TS.

**EIT\_present\_following\_flag:** This is a 1-bit field which when set to "1" indicates that EIT\_present\_following information for the service is present in the current TS, see ETSI TS 101 211 [i.2] for information on maximum time interval between occurrences of an EIT present/following sub\_table. If the flag is set to 0 then the EIT present/following information for the service should not be present in the TS.

**running\_status:** This is a 3-bit field indicating the status of the service as defined in table 6.

**Table 6: running\_status**

Value	Meaning
0	undefined
1	not running
2	starts in a few seconds (e.g. for video recording)
3	pausing
4	running
5	service off-air
6 to 7	reserved for future use

For an NVOD reference service the value of the running\_status shall be set to "0".

**free\_CA\_mode:** This 1-bit field, when set to "0" indicates that all the component streams of the service are not scrambled. When set to "1" it indicates that access to one or more streams may be controlled by a CA system.

**descriptors\_loop\_length:** This 12-bit field gives the total length in bytes of the following descriptors.

**CRC\_32:** This is a 32-bit field that contains the CRC value that gives a zero output of the registers in the decoder defined in annex B after processing the entire section.

## 5.2.4 Event Information Table (EIT)

The EIT (see table 7) provides information in chronological order regarding the events contained within each service. Four classifications of EIT have been identified, distinguishable by the use of different table\_ids (see table 2):

- 1) actual TS, present/following event information = table\_id = 0x4E;
- 2) other TS, present/following event information = table\_id = 0x4F;
- 3) actual TS, event schedule information = table\_id = 0x50 to 0x5F;
- 4) other TS, event schedule information = table\_id = 0x60 to 0x6F.

All EIT sub-tables for the actual Transport Stream shall have the same transport\_stream\_id and original\_network\_id values.

The present/following table shall contain only information pertaining to the present event and the chronologically following event carried by a given service on either the actual TS or another TS, except in the case of a Near Video On Demand (NVOD) reference service where it may have more than two event descriptions. The EIT present/following table is optional. Its presence or absence shall be signalled by setting the EIT\_present\_following\_flag in the SDT.

The event schedule tables for either the actual TS or other TSs, contain a list of events, in the form of a schedule including events other than the present and following events. The EIT schedule tables are optional. Their presence or absence shall be signalled by setting the EIT\_schedule\_flag in the SDT. The event information shall be chronologically ordered.

The EIT shall be segmented into event\_information\_sections using the syntax of table 7. Any sections forming part of an EIT shall be transmitted in TS packets with a PID value of 0x0012.

Table 7: Event information section

Syntax	Number of bits	Identifier
event_information_section(){		
table_id	8	uimsbf
section_syntax_indicator	1	bslbf
reserved_future_use	1	bslbf
reserved	2	bslbf
section_length	12	uimsbf
service_id	16	uimsbf
reserved	2	bslbf
version_number	5	uimsbf
current_next_indicator	1	bslbf
section_number	8	uimsbf
last_section_number	8	uimsbf
transport_stream_id	16	uimsbf
original_network_id	16	uimsbf
segment_last_section_number	8	uimsbf
last_table_id	8	uimsbf
for(i=0;i<N;i++){		
event_id	16	uimsbf
start_time	40	bslbf
duration	24	uimsbf
running_status	3	uimsbf
free_CA_mode	1	bslbf
descriptors_loop_length	12	uimsbf
for(i=0;i<N;i++){		
descriptor()		
}		
}		
CRC_32	32	rpchof
}		

#### Semantics for the event information section:

**table\_id:** See table 2.

**section\_syntax\_indicator:** The section\_syntax\_indicator is a 1-bit field which shall be set to "1".

**section\_length:** This is a 12-bit field. It specifies the number of bytes of the section, starting immediately following the section\_length field and including the CRC. The section\_length shall not exceed 4 093 bytes so that the entire section has a maximum length of 4 096 bytes.

**service\_id:** This is a 16-bit field which serves as a label to identify this service from any other service within a TS. The service\_id is the same as the program\_number in the corresponding program\_map\_section.

**version\_number:** This 5-bit field is the version number of the sub\_table. The version\_number shall be incremented by 1 when a change in the information carried within the sub\_table occurs. When it reaches value 31, it wraps around to 0. When the current\_next\_indicator is set to "1", then the version\_number shall be that of the currently applicable sub\_table. When the current\_next\_indicator is set to "0", then the version\_number shall be that of the next applicable sub\_table.

**current\_next\_indicator:** This 1-bit indicator, when set to "1" indicates that the sub\_table is the currently applicable sub\_table. When the bit is set to "0", it indicates that the sub\_table sent is not yet applicable and shall be the next sub\_table to be valid.

**section\_number:** This 8-bit field gives the number of the section. The section\_number of the first section in the sub\_table shall be "0x00". The section\_number shall be incremented by 1 with each additional section with the same table\_id, service\_id, transport\_stream\_id, and original\_network\_id. In this case, the sub\_table may be structured as a number of segments. Within each segment the section\_number shall increment by 1 with each additional section, but a gap in numbering is permitted between the last section of a segment and the first section of the adjacent segment.

**last\_section\_number:** This 8-bit field specifies the number of the last section (that is, the section with the highest section\_number) of the sub\_table of which this section is part.

**transport\_stream\_id:** This is a 16-bit field which serves as a label for identification of the TS, about which the EIT informs, from any other multiplex within the delivery system.

**original\_network\_id:** This 16-bit field gives the label identifying the network\_id of the originating delivery system.

**segment\_last\_section\_number:** This 8-bit field specifies the number of the last section of this segment of the sub\_table. For sub\_tables which are not segmented, this field shall be set to the same value as the last\_section\_number field.

**last\_table\_id:** This 8-bit field identifies the last table\_id used (see table 2). For EIT present/following tables, this field shall be set to the same value as the table\_id field. For EIT schedule tables with table\_id in the range 0x50 to 0x5F, this field shall be set to the largest table\_id transmitted in this range for this service. For EIT schedule tables with table\_id in the range 0x60 to 0x6F, this field shall be set to the largest table\_id transmitted in this range for this service.

NOTE: This implies that the value of last\_table\_id may be different for each service.

EXAMPLE 1: The table below shows some examples of last\_table\_id values for two services.

Transmitted EIT table_id	Service	last_table_id
0x4E	A	0x4E
0x4F	A	0x4F
0x50, 0x51	A	0x51
0x60, 0x61, 0x62	A	0x62
0x4E	B	0x4E
0x4F	B	0x4F
0x50, 0x51, 0x52, 0x53	B	0x53
0x60	B	0x60

**event\_id:** This 16-bit field contains the identification number of the described event (uniquely allocated within a service definition).

**start\_time:** This 40-bit field contains the start time of the event in Universal Time, Co-ordinated (UTC) and Modified Julian Date (MJD) (see annex C). This field is coded as 16 bits giving the 16 LSBs of MJD followed by 24 bits coded as 6 digits in 4-bit Binary Coded Decimal (BCD). If the start time is undefined (e.g. for an event in a NVOD reference service) all bits of the field are set to "1".

EXAMPLE 2: 93/10/13 12:45:00 is coded as "0xC079124500".

**duration:** A 24-bit field containing the duration of the event in hours, minutes, seconds. format: 6 digits, 4-bit BCD = 24 bit.

EXAMPLE 3: 01:45:30 is coded as "0x014530".

**running\_status:** This is a 3-bit field indicating the status of the event as defined in table 6. For an NVOD reference event the value of the running\_status shall be set to "0".

**free\_CA\_mode:** This 1-bit field, when set to "0" indicates that all the component streams of the event are not scrambled. When set to "1" it indicates that access to one or more streams is controlled by a CA system.

**descriptors\_loop\_length:** This 12-bit field gives the total length in bytes of the following descriptors.

**CRC\_32:** This is a 32-bit field that contains the CRC value that gives a zero output of the registers in the decoder defined in annex B after processing the entire private section.

## 5.2.5 Time and Date Table (TDT)

The TDT (see table 8) carries only the UTC-time and date information.

The TDT shall consist of a single section using the syntax of table 8. This TDT section shall be transmitted in TS packets with a PID value of 0x0014, and the table\_id shall take the value 0x70.

**Table 8: Time and date section**

Syntax	Number of bits	Identifier
time_date_section(){		
table_id	8	uimsbf
section_syntax_indicator	1	bslbf
reserved_future_use	1	bslbf
reserved	2	bslbf
section_length	12	uimsbf
UTC_time	40	bslbf
}		

**Semantics for the time and date section:**

**table\_id:** See table 2.

**section\_syntax\_indicator:** This is a one-bit indicator which shall be set to "0".

**section\_length:** This is a 12-bit field, the first two bits of which shall be "00". It specifies the number of bytes of the section, starting immediately following the section\_length field and up to the end of the section.

**UTC\_time:** This 40-bit field contains the current time and date in UTC and MJD (see annex C). This field is coded as 16 bits giving the 16 LSBs of MJD followed by 24 bits coded as 6 digits in 4-bit BCD.

EXAMPLE: 93/10/13 12:45:00 is coded as "0xC079124500".

## 5.2.6 Time Offset Table (TOT)

The TOT (see table 9) carries the UTC-time and date information and local time offset. The TOT shall consist of a single section using the syntax of table 9. This TOT section shall be transmitted in TS packets with a PID value of 0x0014, and the table\_id shall take the value 0x73.

**Table 9: Time offset section**

Syntax	Number of bits	Identifier
time_offset_section(){		
table_id	8	uimsbf
section_syntax_indicator	1	bslbf
reserved_future_use	1	bslbf
reserved	2	bslbf
section_length	12	uimsbf
UTC_time	40	bslbf
reserved	4	bslbf
descriptors_loop_length	12	uimsbf
for(i=0;i<N;i++){		
descriptor()		
}		
CRC_32	32	rpchof
}		

**Semantics for the time offset section:**

**table\_id:** See table 2.

**section\_syntax\_indicator:** This is a one-bit indicator which shall be set to "0".

**section\_length:** This is a 12-bit field, the first two bits of which shall be "00". It specifies the number of bytes of the section, starting immediately following the section\_length field and up to the end of the section.

**UTC\_time:** This 40-bit field contains the current time and date in UTC and MJD (see annex C). This field is coded as 16 bits giving the 16 LSBs of MJD followed by 24 bits coded as 6 digits in 4-bit BCD.

EXAMPLE: 93/10/13 12:45:00 is coded as "0xC079124500".

**descriptors\_loop\_length:** This 12-bit field gives the total length in bytes of the following descriptors.

**CRC\_32:** This is a 32-bit field that contains the CRC value that gives a zero output of the registers in the decoder defined in annex B after processing the entire private section.

## 5.2.7 Running Status Table (RST)

The RST (see table 10) allows accurate and rapid updating of the timing status of one or more events. This may be necessary when an event starts early or late due to scheduling changes. The use of a separate table enables fast updating mechanism to be achieved.

The RST shall be segmented into `running_status_sections` using the syntax of table 10. Any sections forming part of an RST shall be transmitted in TS packets with a PID value of 0x0013, and the `table_id` shall take the value 0x71.

**Table 10: Running status section**

Syntax	Number of bits	Identifier
<code>running_status_section(){</code>		
<code>table_id</code>	8	uimsbf
<code>section_syntax_indicator</code>	1	bslbf
<code>reserved_future_use</code>	1	bslbf
<code>reserved</code>	2	bslbf
<code>section_length</code>	12	uimsbf
<code>for (i=0;i&lt;N;i++){</code>		
<code>transport_stream_id</code>	16	uimsbf
<code>original_network_id</code>	16	uimsbf
<code>service_id</code>	16	uimsbf
<code>event_id</code>	16	uimsbf
<code>reserved_future_use</code>	5	bslbf
<code>running_status</code>	3	uimsbf
<code>}</code>		
<code>}</code>		

### Semantics for the running status section:

**table\_id:** See table 2.

**section\_syntax\_indicator:** This is a one-bit indicator which shall be set to "0".

**section\_length:** This is a 12-bit field, the first two bits of which shall be "00". It specifies the number of bytes of the section, starting immediately following the `section_length` field and up to the end of the section. The `section_length` shall not exceed 1 021 so that the entire section has a maximum length of 1 024 bytes.

**transport\_stream\_id:** This is a 16-bit field which serves as a label for identification of the TS, about which the RST informs, from any other multiplex within the delivery system.

**original\_network\_id:** This 16-bit field gives the label identifying the `network_id` of the originating delivery system.

**service\_id:** This is a 16-bit field which serves as a label to identify this service from any other service within the TS. The `service_id` is the same as the `program_number` in the corresponding `program_map_section`.

**event\_id:** This 16-bit field contains the identification number of the related event.

**running\_status:** This is a 3-bit field indicating the status of the event, as defined in table 6.

## 5.2.8 Stuffing Table (ST)

The purpose of this clause (see table 11) is to invalidate existing sections at a delivery system boundary e.g. at a cable head-end. When one section of a `sub_table` is overwritten, then all the sections of that `sub_table` shall also be overwritten (stuffed) in order to retain the integrity of the `section_number` field.



Table 11: Stuffing section

Syntax	Number of bits	Identifier
stuffing_section(){		
table_id	8	uimsbf
section_syntax_indicator	1	bslbf
reserved_future_use	1	bslbf
reserved	2	bslbf
section_length	12	uimsbf
for (i=0;i<N;i++){		
data_byte	8	uimsbf
}		
}		

**Semantics for the stuffing section:**

**table\_id:** See table 2.

**section\_syntax\_indicator:** This 1-bit field may take either the value "1" or "0".

**section\_length:** This is a 12-bit field. It specifies the number of bytes of the section, starting immediately following the section\_length field and up to the end of the section. The section\_length shall not exceed 4 093 so that the entire section has a maximum length of 4 096 bytes.

**data\_byte:** This 8-bit field may take any value and has no meaning.

## 5.2.9 Discontinuity Information Table (DIT)

See clause 7.1.1.

## 5.2.10 Selection Information Table (SIT)

See clause 7.1.2.

# 6 Descriptors

## 6.0 Introduction

This clause describes the different descriptors that can be used within the SI (for further information refer to ETSI TS 101 211 [i.2]).

## 6.1 Descriptor identification and location

Table 12 lists the descriptors declared or defined within the present document, giving the descriptors-tag values and the intended placement within the SI tables. This does not imply that their use in other tables is restricted.

Table 12: Possible locations of descriptors

Descriptor	Tag value	NIT	BAT	SDT	EIT	TOT	PMT	SIT (note 1)
network_name_descriptor	0x40	*	-	-	-	-	-	-
service_list_descriptor	0x41	*	*	-	-	-	-	-
stuffing_descriptor	0x42	*	*	*	*	-	-	*
satellite_delivery_system_descriptor	0x43	*	-	-	-	-	-	-
cable_delivery_system_descriptor	0x44	*	-	-	-	-	-	-
VBI_data_descriptor	0x45	-	-	-	-	-	*	-
VBI_teletext_descriptor	0x46	-	-	-	-	-	*	-
bouquet_name_descriptor	0x47	-	*	-	-	-	-	*
service_descriptor	0x48	-	-	*	-	-	-	*
country_availability_descriptor	0x49	-	*	*	-	-	-	*
linkage_descriptor	0x4A	*	*	*	*	-	-	*

Descriptor	Tag value	NIT	BAT	SDT	EIT	TOT	PMT	SIT (note 1)
NVOD_reference_descriptor	0x4B	-	-	*	-	-	-	*
time_shifted_service_descriptor	0x4C	-	-	*	-	-	-	*
short_event_descriptor	0x4D	-	-	-	*	-	-	*
extended_event_descriptor	0x4E	-	-	-	*	-	-	*
time_shifted_event_descriptor	0x4F	-	-	-	*	-	-	*
component_descriptor	0x50	-	-	*	*	-	-	*
mosaic_descriptor	0x51	-	-	*	-	-	*	*
stream_identifier_descriptor	0x52	-	-	-	-	-	*	-
CA_identifier_descriptor	0x53	-	*	*	*	-	-	*
content_descriptor	0x54	-	-	-	*	-	-	*
parental_rating_descriptor	0x55	-	-	-	*	-	-	*
teletext_descriptor	0x56	-	-	-	-	-	*	-
telephone_descriptor	0x57	-	-	*	*	-	-	*
local_time_offset_descriptor	0x58	-	-	-	-	*	-	-
subtitling_descriptor	0x59	-	-	-	-	-	*	-
terrestrial_delivery_system_descriptor	0x5A	*	-	-	-	-	-	-
multilingual_network_name_descriptor	0x5B	*	-	-	-	-	-	-
multilingual_bouquet_name_descriptor	0x5C	-	*	-	-	-	-	-
multilingual_service_name_descriptor	0x5D	-	-	*	-	-	-	*
multilingual_component_descriptor	0x5E	-	-	-	*	-	-	*
private_data_specifier_descriptor	0x5F	*	*	*	*	-	*	*
service_move_descriptor	0x60	-	-	-	-	-	*	-
short_smoothing_buffer_descriptor	0x61	-	-	-	*	-	-	*
frequency_list_descriptor	0x62	*	-	-	-	-	-	-
partial_transport_stream_descriptor (see note 1)	0x63	-	-	-	-	-	-	*
data_broadcast_descriptor	0x64	-	-	*	*	-	-	*
scrambling_descriptor	0x65	-	-	-	-	-	*	-
data_broadcast_id_descriptor	0x66	-	-	-	-	-	*	-
transport_stream_descriptor (see note 2)	0x67	-	-	-	-	-	-	-
DSNG_descriptor (see note 2)	0x68	-	-	-	-	-	-	-
PDC_descriptor	0x69	-	-	-	*	-	-	-
AC-3_descriptor (see annex D)	0x6A	-	-	-	-	-	*	-
ancillary_data_descriptor	0x6B	-	-	-	-	-	*	-
cell_list_descriptor	0x6C	*	-	-	-	-	-	-
cell_frequency_link_descriptor	0x6D	*	-	-	-	-	-	-
announcement_support_descriptor	0x6E	-	-	*	-	-	-	-
application_signalling_descriptor (see [56])	0x6F	-	-	-	-	-	*	-
adaptation_field_data_descriptor	0x70	-	-	-	-	-	*	-
service_identifier_descriptor (see [15])	0x71	-	-	*	-	-	-	-
service_availability_descriptor	0x72	-	-	*	-	-	-	-
default_authority_descriptor (ETSI TS 102 323 [13])	0x73	*	*	*	-	-	-	-
related_content_descriptor (ETSI TS 102 323 [13])	0x74	-	-	-	-	-	*	-
TVA_id_descriptor (ETSI TS 102 323 [13])	0x75	-	-	-	*	-	-	-
content_identifier_descriptor (ETSI TS 102 323 [13])	0x76	-	-	-	*	-	-	-
time_slice_fec_identifier_descriptor (ETSI EN 301 192 [4]) (see note 3)	0x77	*	-	-	-	-	-	-
ECM_repetition_rate_descriptor (ETSI EN 301 192 [4])	0x78	-	-	-	-	-	*	-
S2_satellite_delivery_system_descriptor	0x79	*	-	-	-	-	-	-
enhanced_AC-3_descriptor (see annex D)	0x7A	-	-	-	-	-	*	-
DTS@ descriptor (see annex G)	0x7B	-	-	-	-	-	*	-

Descriptor	Tag value	NIT	BAT	SDT	EIT	TOT	PMT	SIT (note 1)
AAC descriptor (see annex H)	0x7C	-	-	-	-	-	*	-
XAIT location descriptor (see [i.3])	0x7D	*	*	*	*	*	*	*
FTA_content_management_descriptor	0x7E	*	*	*	*	-	-	-
extension descriptor (see note 5)	0x7F	*	*	*	*	*	*	*
user defined	0x80 to 0xFE							
forbidden	0xFF							
NOTE 1: Only found in Partial Transport Streams.								
NOTE 2: Only in the TSDT (Transport Streams Description Table).								
NOTE 3: May also be located in the CAT (ISO/IEC 13818-1 [18]) and INT (ETSI TS 102 006 [11]).								
NOTE 4: * Possible location.								
NOTE 5: See also clauses 6.3 and 6.4.								

## 6.2 Descriptor coding

### 6.2.0 General principles

When the construct "descriptor ()" appears in the sections of clause 5.2, this indicates that zero or more of the descriptors defined within this clause shall occur.

The following semantics apply to all the descriptors defined in this clause.

**descriptor\_tag:** The descriptor tag is an 8-bit field which identifies each descriptor. Those values with MPEG-2 normative meaning are described in ISO/IEC 13818-1 [18]. The values of descriptor\_tag are defined in table 12.

**descriptor\_length:** The descriptor length is an 8-bit field specifying the total number of bytes of the data portion of the descriptor following the byte defining the value of this field.

#### 6.2.1 Adaptation field data descriptor

The adaptation field data descriptor (see table 13) provides a means of indicating the type of data fields supported within the private data field of the adaptation field coded according to ISO/IEC 13818-1 [18]. It shall be inserted into the corresponding ES\_info loop of the PMT if the stream contains one or more of the data fields listed in table 14.

**Table 13: Adaptation field data descriptor**

Syntax	Number of bits	Identifier
adaptation_field_data_descriptor(){		
descriptor_tag	8	uimsbf
descriptor_length	8	uimsbf
adaptation_field_data_identifier	8	bslbf
}		

#### Semantics for adaptation field data descriptor:

**adaptation\_field\_data\_identifier:** This is an 8-bit field identifying data fields transmitted in the private data bytes of the adaptation field. It shall be coded according to table 14. If a bit in the adaptation\_field\_data\_identifier is set to "1" it indicates that the transmission of the corresponding data field (as specified in the standard identified in the description column) is supported. The reserved\_0 fields shall be set to 0.

NOTE: The data field does not necessarily occur in every adaptation field.

**Table 14: Adaptation field data identifier coding**

adaptation field_data_identifier (Bit number)	Description
b <sub>0</sub>	announcement switching data field (ETSI TS 101 154 [9])
b <sub>1</sub>	AU_information data field (ETSI TS 101 154 [9])
b <sub>2</sub>	PVR_assist_information_data_field (ETSI TS 101 154 [9])
b <sub>3</sub>	tsap_timeline (DVB BlueBook A167-2 [i.10])
b <sub>4</sub>	reserved_0 for future use
b <sub>5</sub>	reserved_0 for future use
b <sub>6</sub>	reserved_0 for future use
b <sub>7</sub>	reserved_0 for future use

## 6.2.2 Ancillary data descriptor

The ancillary data descriptor provides a means of indicating the presence and the type of ancillary data in audio elementary streams coded according to ISO/IEC 13818-3 [20] and ISO/IEC 11172-3 [17]. It shall be inserted into the corresponding ES\_info loop of the PMT. If the ancillary data adheres to one of the formats in table 16, the descriptor shall be present.

**Table 15: Ancillary data descriptor**

Syntax	Number of bits	Identifier
ancillary_data_descriptor(){ descriptor_tag descriptor_length ancillary_data_identifier }	8 8 8	uimsbf uimsbf bslbf

### Semantics for ancillary data descriptor:

**ancillary\_data\_identifier:** This is an 8-bit field identifying ancillary data coded in the audio elementary stream. It shall be coded according to table 16. If a bit in the ancillary\_data\_identifier field is set to "1" it indicates that ancillary data includes the corresponding data field.

**Table 16: Ancillary data identifier coding**

ancillary_data_identifier (Bit number)	Description
b <sub>0</sub>	DVD-Video Ancillary Data (ETSI TS 101 154 [9])
b <sub>1</sub>	Extended Ancillary Data (ETSI TS 101 154 [9])
b <sub>2</sub>	Announcement Switching Data (ETSI TS 101 154 [9])
b <sub>3</sub>	DAB Ancillary Data (ETSI EN 300 401 [2])
b <sub>4</sub>	Scale Factor Error Check (ScF-CRC) (ETSI TS 101 154 [9])
b <sub>5</sub>	MPEG-4 ancillary data (ETSI TS 101 154 [9], clause C.5)
b <sub>6</sub>	RDS via UECP (ETSI TS 101 154 [9])
b <sub>7</sub>	Reserved for future use

## 6.2.3 Announcement support descriptor

The announcement support descriptor (see table 17) identifies the type of announcements that are supported by the service. Furthermore, it informs about the transport method of the announcement and gives the necessary linkage information so that the announcement stream can be monitored.

**Table 17: Announcement support descriptor**

Syntax	Number of bits	Identifier
announcement_support_descriptor(){		
descriptor_tag	8	uimsbf
descriptor_length	8	uimsbf
announcement_support_indicator	16	bslbf
for (i=0; i<N; i++){		
announcement_type	4	uimsbf
reserved_future_use	1	bslbf
reference_type	3	uimsbf
if (reference_type == 0x01		
reference_type == 0x02		
reference_type == 0x03){		
original_network_id	16	uimsbf
transport_stream_id	16	uimsbf
service_id	16	uimsbf
component_tag	8	uimsbf
}		
}		
}		

**Semantics of the announcement support descriptor:**

**announcement\_support\_indicator:** The announcement support indicator is a 16-bit flag field specifying which types of announcements are supported by the service. The field should be coded according to table 18. If a specific type of announcement is not supported the corresponding bit shall be set to "0", if the announcement is supported the corresponding bit shall be set to "1".

**Table 18: Coding of the announcement support indicator**

Bit flag	Description
b <sub>0</sub>	Emergency alarm
b <sub>1</sub>	Road Traffic flash
b <sub>2</sub>	Public Transport flash
b <sub>3</sub>	Warning message
b <sub>4</sub>	News flash
b <sub>5</sub>	Weather flash
b <sub>6</sub>	Event announcement
b <sub>7</sub>	Personal call
b <sub>8</sub> to b <sub>15</sub>	Reserved for future use

**announcement\_type:** This 4-bit field specifies the type of announcement for which the following fields in the loop are valid, see table 19 coding.

**Table 19: Coding of the announcement type**

Announcement type	Description
0000	Emergency alarm
0001	Road Traffic flash
0010	Public Transport flash
0011	Warning message
0100	News flash
0101	Weather flash
0110	Event announcement
0111	Personal call
1000 to 1111	Reserved for future use

**reference type:** This is a 3-bit field. It specifies the transport method of the announcement according to table 20.

**Table 20: Coding of the reference type**

Reference type	Description
000	Announcement is broadcast in the usual audio stream of the service
001	Announcement is broadcast in a separate audio stream that is part of the service
010	Announcement is broadcast by means of a different service within the same transport stream
011	Announcement is broadcast by means of a different service within a different transport stream
100 to 111	Reserved for future use

**original\_network\_id:** This 16-bit field gives the label identifying the network\_id of the originating delivery system of the announcement service indicated.

**transport\_stream\_id:** This is a 16-bit field which uniquely identifies the TS containing the announcement service indicated.

**service\_id:** This is a 16-bit field which uniquely identifies the service containing the announcements indicated.

**component\_tag:** This 8-bit field has the same value as the component\_tag field in the stream identifier descriptor that shall be present in the PSI program map section for the audio stream on which the announcement is broadcast.

## 6.2.4 Bouquet name descriptor

The bouquet name descriptor provides the bouquet name in text form, see table 21.

**Table 21: Bouquet name descriptor**

Syntax	Number of bits	Identifier
bouquet_name_descriptor(){ descriptor_tag	8	uimsbf
descriptor_length	8	uimsbf
for(i=0;i<N;i++){ char	8	uimsbf
} }		

### Semantics for the bouquet name descriptor:

**char:** This is an 8-bit field, a sequence of which conveys the name of the bouquet about which the BAT sub\_table informs. Text information is coded using the character sets and methods described in annex A.

## 6.2.5 CA identifier descriptor

The CA identifier descriptor (see table 22) indicates whether a particular bouquet, service or event is associated with a conditional access system and identifies the CA system type by means of the CA\_system\_id.

**Table 22: CA identifier descriptor**

Syntax	Number of bits	Identifier
CA_identifier_descriptor(){ descriptor_tag	8	uimsbf
descriptor_length	8	uimsbf
for (i=0;i<N;i++){ CA_system_id	16	uimsbf
} }		

**Semantics for the CA identifier descriptor:**

**CA\_system\_id:** This 16-bit field identifies the CA system. Allocations of the value of this field are found in ETSI TS 101 162 [i.1].

**6.2.6 Cell frequency link descriptor**

The cell frequency link descriptor (see table 23) may be used in the Network Information Table (NIT) that describes a terrestrial network. It gives a complete list of cells and identifies the frequencies that are in use in these cells for the multiplex described.

**Table 23: Cell frequency link descriptor**

Syntax	Number of bits	Identifier
<code>cell_frequency_link_descriptor(){</code>		
<code>descriptor_tag</code>	8	uimsbf
<code>descriptor_length</code>	8	uimsbf
<code>for (i=0;i&lt;N;i++){</code>		
<code>cell_id</code>	16	uimsbf
<code>frequency</code>	32	uimsbf
<code>subcell_info_loop_length</code>	8	uimsbf
<code>for (j=0;j&lt;N;j++){</code>		
<code>cell_id_extension</code>	8	uimsbf
<code>transposer_frequency</code>	32	uimsbf
<code>}</code>		
<code>}</code>		
<code>}</code>		

**Semantics for the cell frequency link descriptor:**

**cell\_id:** This is a 16-bit field which uniquely identifies a cell.

**frequency:** This 32-bit field identifies the main frequency that is used in the cell indicated. The coding is according to the coding of the centre\_frequency in the terrestrial\_delivery\_system\_descriptor.

**subcell\_info\_loop\_length:** This 8-bit field gives the total length in bytes of the following loop that indicates the frequencies used in subcells.

**cell\_id\_extension:** This 8-bit field is used to identify a subcell within a cell.

**transposer\_frequency:** This 32-bit field identifies the frequency that is used by a transposer in the subcell indicated. The coding of the frequency is according to the coding of the centre\_frequency in the terrestrial\_delivery\_system\_descriptor.

**6.2.7 Cell list descriptor**

The cell list descriptor (see table 24) may be used in the Network Information Table (NIT) that describes a terrestrial network. It provides a list of all cells of the network about which the NIT sub-table informs and describes their coverage areas.

Table 24: Cell list descriptor

Syntax	Number of bits	Identifier
cell_list_descriptor(){		
descriptor_tag	8	uimsbf
descriptor_length	8	uimsbf
for (i=0;i<N;i++){		
cell_id	16	uimsbf
cell_latitude	16	uimsbf
cell_longitude	16	uimsbf
cell_extent_of_latitude	12	uimsbf
cell_extent_of_longitude	12	uimsbf
subcell_info_loop_length	8	uimsbf
for (j=0;j<N;j++){		
cell_id_extension	8	uimsbf
subcell_latitude	16	uimsbf
subcell_longitude	16	uimsbf
subcell_extent_of_latitude	12	uimsbf
subcell_extent_of_longitude	12	uimsbf
}		
}		
}		

**Semantics for the cell list descriptor:**

**cell\_id:** This is a 16-bit field which uniquely identifies a cell.

**cell\_latitude:** This 16-bit field, coded as a two's complement number, shall specify the latitude of the south-western corner of a spherical rectangle that approximately describes the coverage area of the cell indicated. It shall be calculated by multiplying the value of the latitude field by  $(90^\circ/2^{15})$ . Southern latitudes shall be considered negative and northern latitudes positive.

**cell\_longitude:** This 16-bit field, coded as a two's complement number, shall specify the longitude of the south-western corner of a spherical rectangle that approximately describes the coverage area of the cell indicated. It shall be calculated by multiplying the value of the longitude field by  $(180^\circ/2^{15})$ . Western longitudes shall be considered negative and eastern longitudes positive.

**cell\_extent\_of\_latitude:** This 12-bit field, coded as an unsigned binary number, shall specify the extent of latitude of a spherical rectangle that approximately describes the coverage area of the cell indicated. It shall be calculated by multiplying the value of the extent\_of\_latitude field by  $(90^\circ/2^{15})$ .

**cell\_extent\_of\_longitude:** This 12-bit field, coded as an unsigned binary number, shall specify the extent of longitude of a spherical rectangle that approximately describes the coverage area of the cell indicated. It shall be calculated by multiplying the value of the extent\_of\_longitude field by  $(180^\circ/2^{15})$ .

**subcell\_info\_loop\_length:** This 8-bit field gives the total length in bytes of the following loop that describes the subcells.

**cell\_id\_extension:** This 8-bit field is used to identify a subcell within a cell.

**subcell\_latitude:** This 16-bit field, coded as a two's complement number, shall specify the latitude of the corner of a spherical rectangle that approximately describes the coverage area of the subcell indicated. It shall be calculated by multiplying the value of the latitude field by  $(90^\circ/2^{15})$ . Southern latitudes shall be considered negative and northern latitudes positive.

**subcell\_longitude:** This 16-bit field, coded as a two's complement number, shall specify the longitude of the corner of a spherical rectangle that approximately describes the coverage area of the subcell indicated. It shall be calculated by multiplying the value of the longitude field by  $(180^\circ/2^{15})$ . Western longitudes shall be considered negative and eastern longitudes positive.

**subcell\_extent\_of\_latitude:** This 12-bit field, coded as an unsigned binary number, shall specify the extent of latitude of a spherical rectangle that approximately describes the coverage area of the subcell indicated. It shall be calculated by multiplying the value of the extent\_of\_latitude field by  $(90^\circ/2^{15})$ .



**subcell\_extent\_of\_longitude:** This 12-bit field, coded as an unsigned binary number, shall specify the extent of longitude of a spherical rectangle that approximately describes the coverage area of the subcell indicated. It shall be calculated by multiplying the value of the extent\_of\_longitude field by  $(180^\circ/2^{15})$ .

## 6.2.8 Component descriptor

The component descriptor identifies the type of component stream and may be used to provide a text description of the elementary stream (see table 25).

**Table 25: Component descriptor**

Syntax	Number of bits	Identifier
component_descriptor(){		
descriptor_tag	8	uimsbf
descriptor_length	8	uimsbf
stream_content_ext	4	uimsbf
stream_content	4	uimsbf
component_type	8	uimsbf
component_tag	8	uimsbf
ISO_639_language_code	24	bslbf
for (i=0;i<N;i++){		
text_char	8	uimsbf
}		
}		

### Semantics for the component descriptor:

**stream\_content\_ext:** This 4-bit field in combination with the stream\_content field specifies the type of stream. The coding of this field is specified in table 26. If the value of the stream\_content field is in the range 0x1 to 0x8, the stream\_content\_ext field shall be set to 0xF to maintain backward compatibility with previous versions of the present document.

**stream\_content:** This 4-bit field in combination with the stream\_content\_ext field specifies the type of stream. The coding of this field is specified in table 26.

**component\_type:** This 8-bit field specifies the type of the component. The coding of this field is specified in table 26.

**component\_tag:** This 8-bit field has the same value as the component\_tag field in the stream identifier descriptor (if present in the PSI program map section) for the component stream. Multiple component descriptors for the same component\_tag value are permitted as defined in table 26.

**ISO\_639\_language\_code:** This 24-bit field identifies the language of the component (in the case of audio or EBU-data) and of the text description which may be contained in this descriptor. The ISO\_639\_language\_code contains a 3-character code as specified by ISO 639-2 [42]. Both ISO 639-2 [42]/B and ISO 639-2 [42]/T may be used. Each character is coded into 8 bits according to ISO/IEC 8859-1 [23] and inserted in order into the 24-bit field.

EXAMPLE: French has 3-character code "fre", which is coded as:  
"0110 0110 0111 0010 0110 0101".

**text\_char:** This is an 8-bit field. A string of "text\_char" fields specifies a text description of the component stream. Text information is coded using the character sets and methods described in annex A.

Table 26: stream\_content and component\_type

stream_content	stream_content_ext	component_type	Description
0x0	0x0 to 0xF	0x00 to 0xFF	reserved for future use
0x1	n/a (see note 8)	0x00	reserved for future use
		0x01	MPEG-2 video, 4:3 aspect ratio, 25 Hz (see note 2)
		0x02	MPEG-2 video, 16:9 aspect ratio with pan vectors, 25 Hz (see note 2)
		0x03	MPEG-2 video, 16:9 aspect ratio without pan vectors, 25 Hz (see note 2)
		0x04	MPEG-2 video, > 16:9 aspect ratio, 25 Hz (see note 2)
		0x05	MPEG-2 video, 4:3 aspect ratio, 30 Hz (see note 2)
		0x06	MPEG-2 video, 16:9 aspect ratio with pan vectors, 30 Hz (see note 2)
0x2	n/a (see note 8)	0x07	MPEG-2 video, 16:9 aspect ratio without pan vectors, 30 Hz (see note 2)
		0x08	MPEG-2 video, > 16:9 aspect ratio, 30 Hz (see note 2)
		0x09	MPEG-2 high definition video, 4:3 aspect ratio, 25 Hz (see note 2)
		0x0A	MPEG-2 high definition video, 16:9 aspect ratio with pan vectors, 25 Hz (see note 2)
		0x0B	MPEG-2 high definition video, 16:9 aspect ratio without pan vectors, 25 Hz (see note 2)
		0x0C	MPEG-2 high definition video, > 16:9 aspect ratio, 25 Hz (see note 2)
		0x0D	MPEG-2 high definition video, 4:3 aspect ratio, 30 Hz (see note 2)
		0x0E	MPEG-2 high definition video, 16:9 aspect ratio with pan vectors, 30 Hz (see note 2)
		0x0F	MPEG-2 high definition video, 16:9 aspect ratio without pan vectors, 30 Hz (see note 2)
		0x10	MPEG-2 high definition video, > 16:9 aspect ratio, 30 Hz (see note 2)
		0x11 to 0xAF	reserved for future use
		0xB0 to 0xFE	user defined
		0xFF	reserved for future use
		0x2	n/a (see note 8)
0x01	MPEG-1 Layer 2 audio, single mono channel		
0x02	MPEG-1 Layer 2 audio, dual mono channel		
0x03	MPEG-1 Layer 2 audio, stereo (2 channel)		
0x04	MPEG-1 Layer 2 audio, multi-lingual, multi-channel		
0x05	MPEG-1 Layer 2 audio, surround sound		
0x06 to 0x3F	reserved for future use		
0x40	MPEG-1 Layer 2 audio description for the visually impaired (see note 5)		
0x41	MPEG-1 Layer 2 audio for the hard of hearing		
0x42	receiver-mix supplementary audio as per annex E of ETSI TS 101 154 [9]		
0x43 to 0x46	reserved for future use		
0x47	MPEG-1 Layer 2 audio, receiver-mix audio description		
0x48	MPEG-1 Layer 2 audio, broadcast-mix audio description		
0x49 to 0xAF	reserved for future use		
0xB0 to 0xFE	user-defined		
0xFF	reserved for future use		

stream_content	stream_content_ext	component_type	Description
0x3	n/a (see note 8)	0x00	reserved for future use
		0x01	EBU Teletext subtitles
		0x02	associated EBU Teletext
		0x03	VBI data
		0x04 to 0x0F	reserved for future use
		0x10	DVB subtitles (normal) with no monitor aspect ratio criticality
		0x11	DVB subtitles (normal) for display on 4:3 aspect ratio monitor
		0x12	DVB subtitles (normal) for display on 16:9 aspect ratio monitor
		0x13	DVB subtitles (normal) for display on 2.21:1 aspect ratio monitor
		0x14	DVB subtitles (normal) for display on a high definition monitor
		0x15	DVB subtitles (normal) with plano-stereoscopic disparity for display on a high definition monitor
		0x16 to 0x1F	reserved for future use
		0x20	DVB subtitles (for the hard of hearing) with no monitor aspect ratio criticality
		0x21	DVB subtitles (for the hard of hearing) for display on 4:3 aspect ratio monitor
		0x22	DVB subtitles (for the hard of hearing) for display on 16:9 aspect ratio monitor
		0x23	DVB subtitles (for the hard of hearing) for display on 2.21:1 aspect ratio monitor
		0x24	DVB subtitles (for the hard of hearing) for display on a high definition monitor
		0x25	DVB subtitles (for the hard of hearing) with plano-stereoscopic disparity for display on a high definition monitor
		0x26 to 0x2F	reserved for future use
		0x30	open (in-vision) sign language interpretation for the deaf (see note 7)
		0x31	closed sign language interpretation for the deaf (see note 7)
		0x32 to 0x3F	reserved for future use
		0x40	video up-sampled from standard definition source material (see note 7)
		0x41 to 0x7F	reserved for future use
		0x80	dependent SAOC-DE data stream
		0x81 to 0xAF	reserved for future use
0xB0 to 0xFE	user defined		
0xFF	reserved for future use		
0x4	n/a (see note 8)	0x00 to 0x7F	reserved for AC-3 audio modes (refer to table D.1)
		0x80 to 0xFF	reserved for enhanced AC-3 audio modes (refer to table D.1)
0x5	n/a (see note 8)	0x00	reserved for future use
		0x01	H.264/AVC standard definition video, 4:3 aspect ratio, 25 Hz (see note 2)
		0x02	reserved for future use
		0x03	H.264/AVC standard definition video, 16:9 aspect ratio, 25 Hz (see note 2)
		0x04	H.264/AVC standard definition video, > 16:9 aspect ratio, 25 Hz (see note 2)
		0x05	H.264/AVC standard definition video, 4:3 aspect ratio, 30 Hz (see note 2)
		0x06	reserved for future use
		0x07	H.264/AVC standard definition video, 16:9 aspect ratio, 30 Hz (see note 2)
		0x08	H.264/AVC standard definition video, > 16:9 aspect ratio, 30 Hz (see note 2)
		0x09 to 0x0A	reserved for future use

stream_content	stream_content_ext	component_type	Description
		0x0B	H.264/AVC high definition video, 16:9 aspect ratio, 25 Hz (see note 2)
		0x0C	H.264/AVC high definition video, > 16:9 aspect ratio, 25 Hz (see note 2)
		0x0D to 0x0E	reserved for future use
		0x0F	H.264/AVC high definition video, 16:9 aspect ratio, 30 Hz (see note 2)
		0x10	H.264/AVC high definition video, > 16:9 aspect ratio, 30 Hz (see note 2)
		0x11 to 0x7F	reserved for future use
		0x80	H.264/AVC plano-stereoscopic frame compatible high definition video, 16:9 aspect ratio, 25 Hz, Side-by-Side (see notes 2 and 3)
		0x81	H.264/AVC plano-stereoscopic frame compatible high definition video, 16:9 aspect ratio, 25 Hz, Top-and-Bottom (see notes 2 and 3)
		0x82	H.264/AVC plano-stereoscopic frame compatible high definition video, 16:9 aspect ratio, 30 Hz, Side-by-Side (see notes 2, 3 and 4)
		0x83	H.264/AVC stereoscopic frame compatible high definition video, 16:9 aspect ratio, 30 Hz, Top-and-Bottom (see notes 2, 3 and 4)
		0x84	H.264/MVC dependent view, plano-stereoscopic service compatible video (see note 3)
		0x85 to 0xAF	reserved for future use
		0xB0 to 0xFE	user-defined
		0xFF	reserved for future use
0x6	n/a (see note 8)	0x00	reserved for future use
		0x01	HE AAC audio, single mono channel (see note 6)
		0x02	reserved for future use
		0x03	HE AAC audio, stereo (see note 6)
		0x04	reserved for future use
		0x05	HE AAC audio, surround sound (see note 6)
		0x06 to 0x3F	reserved for future use
		0x40	HE AAC audio description for the visually impaired (see notes 5 and 6)
		0x41	HE AAC audio for the hard of hearing (see note 6)
		0x42	HE AAC receiver-mix supplementary audio as per annex E of ETSI TS 101 154 [9] (see note 6)
		0x43	HE AAC v2 audio, stereo
		0x44	HE AAC v2 audio description for the visually impaired (see note 5)
		0x45	HE AAC v2 audio for the hard of hearing
		0x46	HE AAC v2 receiver-mix supplementary audio as per annex E of ETSI TS 101 154 [9]
		0x47	HE AAC receiver-mix audio description for the visually impaired
		0x48	HE AAC broadcast-mix audio description for the visually impaired
		0x49	HE AAC v2 receiver-mix audio description for the visually impaired
		0x4A	HE AAC v2 broadcast-mix audio description for the visually impaired
		0x4B to 0x9F	reserved for future use
		0xA0	HE AAC, or HE AAC v2 with SAOC-DE ancillary data (see notes 6 and 7)
		0xA1 to 0xAF	reserved for future use
		0xB0 to 0xFE	user-defined
		0xFF	reserved for future use

stream_content	stream_content_ext	component_type	Description	
0x7	n/a (see note 8)	0x00 to 0x7F	reserved for DTS® and DTS-HD® audio modes (refer to annex G)	
		0x80 to 0xFF	reserved for future use	
0x8	n/a (see note 8)	0x00	reserved for future use	
		0x01	DVB SRM data [49]	
		0x02 to 0xFF	reserved for DVB CPCM modes [46], [i.4]	
0x9	0x0	0x00	HEVC Main Profile high definition video, 50 Hz (see notes 2 and 9)	
		0x01	HEVC Main 10 Profile high definition video, 50 Hz (notes 2 and 9)	
		0x02	HEVC Main Profile high definition video, 60 Hz (see notes 2, 4 and 9)	
		0x03	HEVC Main 10 Profile high definition video, 60 Hz (see notes 2, 4 and 9)	
		0x04	HEVC ultra high definition video (see notes 2 and 9)	
		0x05 to 0xFF	reserved for future use	
	0x1	0x00	AC-4 main audio, mono	
		0x01	AC-4 main audio, mono, dialogue enhancement enabled	
		0x02	AC-4 main audio, stereo	
		0x03	AC-4 main audio, stereo, dialogue enhancement enabled	
		0x04	AC-4 main audio, multichannel	
		0x05	AC-4 main audio, multichannel, dialogue enhancement enabled	
		0x06	AC-4 broadcast-mix audio description, mono, for the visually impaired	
		0x07	AC-4 broadcast-mix audio description, mono, for the visually impaired, dialogue enhancement enabled	
		0x08	AC-4 broadcast-mix audio description, stereo, for the visually impaired	
		0x09	AC-4 broadcast-mix audio description, stereo, for the visually impaired, dialogue enhancement enabled	
		0x0A	AC-4 broadcast-mix audio description, multichannel, for the visually impaired	
		0x0B	AC-4 broadcast-mix audio description, multichannel, for the visually impaired, dialogue enhancement enabled	
		0x0C	AC-4 receiver-mix audio description, mono, for the visually impaired	
		0x0D	AC-4 receiver-mix audio description, stereo, for the visually impaired	
		0x0E to 0xFF	reserved for future use	
		0x2 to 0xF	0x00 to 0xFF	reserved for future use
		0xA	0x0 to 0xF	0x00 to 0xFF
0xB	0x0 to 0xE	0x00 to 0xFF	reserved for future use	
		0xF (see note 7)	0x00	less than 16:9 aspect ratio
			0x01	16:9 aspect ratio
			0x02	greater than 16:9 aspect ratio
			0x03	plano-stereoscopic top and bottom (TaB) frame-packing
0x04 to 0xFF	reserved for future use			
0xC to 0xF	n/a	0x00 to 0xFF	user defined	

stream_content	stream_content_ext	component_type	Description
NOTE 1: The profiles and levels of the codecs mentioned in table 26 are as defined in ETSI TS 101 154 [9] and ETSI TS 102 005 [10].			
NOTE 2: In table 26, the terms "standard definition", "high definition", "ultra high definition", "25 Hz", "30 Hz", "50 Hz", and "60 Hz" are used as defined in ETSI TS 101 154 [9] clauses 5.1 to 5.4 for MPEG-2 and 5.5 to 5.7 for H.264/AVC, and clauses 5.14.2 and 5.14.3 for HEVC respectively.			
NOTE 3: See ETSI TS 101 547-3 [55] for further information on stereoscopic modes.			
NOTE 4: 24 Hz video will also use this component_type.			
NOTE 5: The specific audio description types indicating the use of broadcast-mix or receiver-mix audio should be preferred over these generic types. For more details see annex J.			
NOTE 6: Audio streams using AAC audio shall use the corresponding HE AAC values. The AAC profile includes low-complexity AAC.			
NOTE 7: These component descriptor values are intended to be present in combination with another component descriptor with the same component_tag value. <ul style="list-style-type: none"> <li>For example, two component descriptors with the same component tag value, and stream_content/stream_content_ext/component_type values of 0x5/0xF/0x0B and 0x3/0xF/0x40 respectively, would indicate H.264/AVC high definition video, 16:9 aspect ratio, 25 Hz which has been up-sampled from a standard definition source.</li> <li>For example, two component descriptors with the same component tag value, and stream_content/stream_content_ext/component_type values of 0x6/0xF/0x03 and 0x6/0xF/0xA0 respectively, would indicate stereo HE AAC audio with SAOC-DE parametric data embedded as ancillary data.</li> <li>For example, two component descriptors with the same component tag value, and stream_content/stream_content_ext/component_type values 0x9/0x0/0x01 and 0xB/0xF/0x01 respectively, would indicate HEVC Main 10 profile high definition video at 50 Hz with a 16:9 aspect ratio.</li> </ul>			
NOTE 8: In order to maintain backwards compatibility, the value of the stream_content_ext field is not applicable (n/a) for stream_content values in the range 0x01 to 0x8, and is set to 0xF.			
NOTE 9: For information on the use of these values, see clause I.2.5 and ETSI TS 101 547-4 [62].			

## 6.2.9 Content descriptor

The intention of the content descriptor (see table 27) is to provide classification information for an event.

**Table 27: Content descriptor**

Syntax	Number of bits	Identifier
content_descriptor(){		
descriptor_tag	8	uimsbf
descriptor_length	8	uimsbf
for (i=0;i<N;i++) {		
content_nibble_level_1	4	uimsbf
content_nibble_level_2	4	uimsbf
user_byte	8	uimsbf
}		
}		

### Semantics of the content descriptor:

**content\_nibble\_level\_1:** This 4-bit field represents the first level of a content identifier. This field shall be coded according to table 28.

**content\_nibble\_level\_2:** This 4-bit field represents the second level of a content identifier. This field shall be coded according to table 28.

**user\_byte:** This 8-bit field is defined by the broadcaster.

Table 28: Content nibble level 1 and 2 assignments

content_nibble_level_1	content_nibble_level_2	Description
0x0	0x0 to 0xF	undefined content
		<b>Movie/Drama:</b>
0x1	0x0	movie/drama (general)
	0x1	detective/thriller
	0x2	adventure/western/war
	0x3	science fiction/fantasy/horror
	0x4	comedy
	0x5	soap/melodrama/folkloric
	0x6	romance
	0x7	serious/classical/religious/historical movie/drama
	0x8	adult movie/drama
	0x9 to 0xE	reserved for future use
	0xF	user defined
		<b>News/Current affairs:</b>
0x2	0x0	news/current affairs (general)
	0x1	news/weather report
	0x2	news magazine
	0x3	documentary
	0x4	discussion/interview/debate
	0x5 to 0xE	reserved for future use
	0xF	user defined
		<b>Show/Game show:</b>
0x3	0x0	show/game show (general)
	0x1	game show/quiz/contest
	0x2	variety show
	0x3	talk show
	0x4 to 0xE	reserved for future use
	0xF	user defined
		<b>Sports:</b>
0x4	0x0	sports (general)
	0x1	special events (Olympic Games, World Cup, etc.)
	0x2	sports magazines
	0x3	football/soccer
	0x4	tennis/squash
	0x5	team sports (excluding football)
	0x6	athletics
	0x7	motor sport
	0x8	water sport
	0x9	winter sports
	0xA	equestrian
	0xB	marial sports
	0xC to 0xE	reserved for future use
	0xF	user defined
		<b>Children's/Youth programmes:</b>
0x5	0x0	children's/youth programmes (general)
	0x1	pre-school children's programmes
	0x2	entertainment programmes for 6 to 14
	0x3	entertainment programmes for 10 to 16
	0x4	informational/educational/school programmes
	0x5	cartoons/puppets
	0x6 to 0xE	reserved for future use
	0xF	user defined
		<b>Music/Ballet/Dance:</b>
0x6	0x0	music/ballet/dance (general)
	0x1	rock/pop
	0x2	serious music/classical music

content_nibble_level_1	content_nibble_level_2	Description
	0x3	folk/traditional music
	0x4	jazz
	0x5	musical/opera
	0x6	ballet
	0x7 to 0xE	reserved for future use
	0xF	user defined
		<b>Arts/Culture (without music):</b>
0x7	0x0	arts/culture (without music, general)
	0x1	performing arts
	0x2	fine arts
	0x3	religion
	0x4	popular culture/traditional arts
	0x5	literature
	0x6	film/cinema
	0x7	experimental film/video
	0x8	broadcasting/press
	0x9	new media
	0xA	arts/culture magazines
	0xB	fashion
	0xC to 0xE	reserved for future use
	0xF	user defined
		<b>Social/Political issues/Economics:</b>
0x8	0x0	social/political issues/economics (general)
	0x1	magazines/reports/documentary
	0x2	economics/social advisory
	0x3	remarkable people
	0x4 to 0xE	reserved for future use
	0xF	user defined
		<b>Education/Science/Factual topics:</b>
0x9	0x0	education/science/factual topics (general)
	0x1	nature/animals/environment
	0x2	technology/natural sciences
	0x3	medicine/physiology/psychology
	0x4	foreign countries/expeditions
	0x5	social/spiritual sciences
	0x6	further education
	0x7	languages
	0x8 to 0xE	reserved for future use
	0xF	user defined
		<b>Leisure hobbies:</b>
0xA	0x0	leisure hobbies (general)
	0x1	tourism/travel
	0x2	handicraft
	0x3	motoring
	0x4	fitness and health
	0x5	cooking
	0x6	advertisement/shopping
	0x7	gardening
	0x8 to 0xE	reserved for future use
	0xF	user defined
		<b>Special characteristics:</b>
0xB	0x0	original language
	0x1	black and white
	0x2	unpublished
	0x3	live broadcast
	0x4	plano-stereoscopic
	0x5	local or regional
	0x6 to 0xE	reserved for future use
	0xF	user defined
		<b>Reserved for future use:</b>
0xC to 0xE	0x0 to 0xF	reserved for future use
		<b>User defined:</b>
0xF	0x0 to 0xF	user defined



## 6.2.10 Country availability descriptor

In order to identify various combinations of countries efficiently, the descriptor may appear twice for each service, once giving a list of countries and/or groups of countries where the service is intended to be available, and the second giving a list of countries and/or groups where it is not. The latter list overrides the former list. If only one descriptor is used, which lists countries where the service is intended to be available, then it indicates that the service is not intended to be available in any other country. If only one descriptor is used, which lists countries where the service is not intended to be available, then it indicates that the service is intended to be available in every other country. If no descriptor is used, then it is not defined for which countries the service is intended to be available (see table 29).

**Table 29: Country availability descriptor**

Syntax	Number of bits	Identifier
country_availability_descriptor(){		
descriptor_tag	8	uimsbf
descriptor_length	8	uimsbf
country_availability_flag	1	bslbf
reserved_future_use	7	bslbf
for (i=0; i<N; i++){		
country_code	24	bslbf
}		
}		

### Semantics for the country availability descriptor:

**country\_availability\_flag:** This 1-bit field indicates whether the following country codes represent the countries in which the reception of the service is intended or not. If country\_availability\_flag is set to "1" the following country codes specify the countries in which the reception of the service is intended. If set to "0", the following country codes specify the countries in which the reception of the service is not intended.

**country\_code:** This 24-bit field identifies a country using the 3-character code as specified in ISO 3166 [41]. Each character is coded into 8-bits according to ISO/IEC 8859-1 [23] and inserted in order into the 24-bit field. In the case that the 3 characters represent a number in the range 900 to 999, then country\_code specifies an ETSI defined group of countries. These allocations are found in ETSI TS 101 162 [i.1].

EXAMPLE: United Kingdom has 3-character code "GBR", which is coded as:  
"0100 0111 0100 0010 0101 0010".

## 6.2.11 Data broadcast descriptor

The data broadcast descriptor identifies the type of the data component and may be used to provide a text description of the data component (see table 30).

**Table 30: Data broadcast descriptor**

Syntax	Number of bits	Identifier
data_broadcast_descriptor(){		
descriptor_tag	8	uimsbf
descriptor_length	8	uimsbf
data_broadcast_id	16	uimsbf
component_tag	8	uimsbf
selector_length	8	uimsbf
for (i=0; i<selector_length; i++){		
selector_byte	8	uimsbf
}		
ISO_639_language_code	24	bslbf
text_length	8	uimsbf
for (i=0; i<text_length; i++){		
text_char	8	uimsbf
}		
}		

**Semantics of the data broadcast descriptor:**

**data\_broadcast\_id:** This 16-bit field identifies the data broadcast specification that is used to broadcast the data in the broadcast network. Allocations of the value of this field are found in ETSI TS 101 162 [i.1].

**component\_tag:** This optional 8-bit field has the same value as the component\_tag field in the stream identifier descriptor that may be present in the PSI program map section for the stream on which the data is broadcast. If this field is not used it shall be set to the value 0x00.

**selector\_length:** This 8-bit field specifies the length in bytes of the following selector field.

**selector\_byte:** This is an 8-bit field. The sequence of selector\_byte fields specifies the selector field. The syntax and semantics of the selector field shall be defined by the data broadcast specification that is identified in the data\_broadcast\_id field. The selector field may contain service specific information that is necessary to identify an entry-point of the broadcast data.

**ISO\_639\_language\_code:** This 24-bit field contains the ISO 639-2 [42] three character language code of the following text fields. Both ISO 639-2/B and ISO 639-2/T may be used. Each character is coded into 8 bits according to ISO/IEC 8859-1 [23] and inserted in order into the 24-bit field.

**text\_length:** This 8-bit field specifies the length in bytes of the following text describing the data component.

**text\_char:** This is an 8-bit field. A string of "char" fields specifies the text description of the data component. Text information is coded using the character sets and methods described in annex A.

## 6.2.12 Data broadcast id descriptor

The data broadcast id descriptor identifies the type of the data component (see table 31). It is a short form of the data\_broadcast descriptor and it may be placed in the component loop of the PSI PMT table.

**Table 31: Data broadcast id descriptor**

Syntax	Number of bits	Identifier
data_broadcast_id_descriptor(){		
descriptor_tag	8	uimsbf
descriptor_length	8	uimsbf
data_broadcast_id	16	uimsbf
for(i=0; i < N;i++){		
id_selector_byte	8	uimsbf
}		
}		

**Semantics of the data broadcast id descriptor:**

**data\_broadcast\_id:** This 16-bit field identifies the data broadcast specification that is used to broadcast the data in the broadcast network. Allocations of the value of this field are found in ETSI TS 101 162 [i.1].

**id\_selector\_byte:** For the purpose of application selection the id\_selector\_byte(s) might be used. The definition of the id\_selector\_byte(s) of the data\_broadcast\_id\_descriptor will depend on the data broadcast id.

NOTE: The id\_selector\_bytes may differ from the selector\_bytes of the corresponding data\_broadcast\_descriptor.

## 6.2.13 Delivery system descriptors

### 6.2.13.1 Cable delivery system descriptor

See table 32.

**Table 32: Cable delivery system descriptor**

Syntax	Number of bits	Identifier
<code>cable_delivery_system_descriptor() {</code>		
<code>descriptor_tag</code>	8	uimsbf
<code>descriptor_length</code>	8	uimsbf
<code>frequency</code>	32	bslbf
<code>reserved_future_use</code>	12	bslbf
<code>FEC_outer</code>	4	bslbf
<code>modulation</code>	8	bslbf
<code>symbol_rate</code>	28	bslbf
<code>FEC_inner</code>	4	bslbf
<code>}</code>		

#### Semantics for cable delivery system descriptor:

**frequency:** The frequency is a 32-bit field giving the 4-bit BCD values specifying 8 characters of the frequency value. For the `cable_delivery_system_descriptor`, the frequency is coded in MHz, where the decimal occurs after the fourth character (e.g. 0312,0000 MHz).

**FEC\_outer:** The `FEC_outer` is a 4-bit field specifying the outer Forward Error Correction (FEC) scheme used according to table 33.

**Table 33: Outer FEC scheme**

FEC_outer bit 3210	Description
0000	not defined
0001	no outer FEC coding
0010	RS(204/188)
0011 to 1111	reserved for future use

**modulation:** This is an 8-bit field. It specifies the modulation scheme used on a cable delivery system according to table 34.

**Table 34: Modulation scheme for cable**

Modulation (hex)	Description
0x00	not defined
0x01	16-QAM
0x02	32-QAM
0x03	64-QAM
0x04	128-QAM
0x05	256-QAM
0x06 to 0xFF	reserved for future use

**symbol\_rate:** The `symbol_rate` is a 28-bit field giving the 4-bit BCD values specifying 7 characters of the `symbol_rate` in Msymbol/s where the decimal point occurs after the third character (e.g. 027,4500).

**FEC\_inner:** The `FEC_inner` is a 4-bit field specifying the inner FEC scheme used according to table 35.

Table 35: Inner FEC scheme

FEC_inner bit 3210	Description
0000	not defined
0001	1/2 conv. code rate
0010	2/3 conv. code rate
0011	3/4 conv. code rate
0100	5/6 conv. code rate
0101	7/8 conv. code rate
0110	8/9 conv. code rate
0111	3/5 conv. code rate
1000	4/5 conv. code rate
1001	9/10 conv. code rate
1010 to 1110	reserved for future use
1111	no conv. Coding
NOTE: Not all convolutional code rates apply for all modulation schemes.	

### 6.2.13.2 Satellite delivery system descriptor

See table 36.

Table 36: Satellite delivery system descriptor

Syntax	Number of bits	Identifier
satellite_delivery_system_descriptor(){		
descriptor_tag	8	uimsbf
descriptor_length	8	uimsbf
frequency	32	bslbf
orbital_position	16	bslbf
west_east_flag	1	bslbf
polarization	2	bslbf
If (modulation_system == "1") {		
roll_off	2	bslbf
} else {		
"00"	2	bslbf
}		
modulation_system	1	bslbf
modulation_type	2	bslbf
symbol_rate	28	bslbf
FEC_inner	4	bslbf
}		

#### Semantics for satellite delivery system descriptor:

**frequency:** The frequency is a 32-bit field giving the 4-bit BCD values specifying 8 characters of the frequency value. For the satellite\_delivery\_system\_descriptor the frequency is coded in GHz, where the decimal point occurs after the third character (e.g. 011,75725 GHz).

**orbital\_position:** The orbital\_position is a 16-bit field giving the 4-bit BCD values specifying 4 characters of the orbital position in degrees where the decimal point occurs after the third character (e.g. 019,2°).

**west\_east\_flag:** The west\_east\_flag is a 1-bit field indicating if the satellite position is in the western or eastern part of the orbit. A value "0" indicates the western position and a value "1" indicates the eastern position.

**polarization:** The polarization is a 2-bit field specifying the polarization of the transmitted signal. The first bit defines whether the polarization is linear or circular (see table 37).

**Table 37: Polarization**

Polarization	Description
00	linear - horizontal
01	linear - vertical
10	Circular - left
11	Circular - right

**roll\_off:** This 2 bit field specifies the roll-off factor used in DVB-S2. It shall be coded according to table 38.

**Table 38: Roll-off factor**

roll-off	Description
00	$\alpha = 0,35$
01	$\alpha = 0,25$
10	$\alpha = 0,20$
11	reserved

**modulation\_system:** This is a 1-bit field. It specifies the broadcast scheme used on a satellite delivery system according to table 39.

If DVB-S2 is used in non backwards compatible broadcast services mode (NBC-BS [8]), use of this descriptor is sufficient. If DVB-S2 is used in other modes, the S2\_satellite\_delivery\_system\_descriptor shall be used additionally (see clause 6.2.13.3).

**Table 39: Modulation system for satellite**

modulation system	Description
0	DVB-S
1	DVB-S2

**modulation\_type:** This is a 2-bit field. It specifies the modulation scheme used on a satellite delivery system according to table 40.

**Table 40: Modulation type for satellite**

modulation type	Description
00	Auto
01	QPSK
10	8PSK
11	16-QAM (n/a for DVB-S2)

**symbol\_rate:** The symbol\_rate is a 28-bit field giving the 4-bit BCD values specifying 7 characters of the symbol\_rate in Msymbol/s where the decimal point occurs after the third character (e.g. 027,4500).

**FEC\_inner:** The FEC\_inner is a 4-bit field specifying the inner FEC scheme used according to table 35.

### 6.2.13.3 S2 satellite delivery system descriptor

This descriptor (see table 41) is only required if DVB-S2 is not used in non backwards compatible broadcast services mode (NBC-BS [8]). In non backwards compatible broadcast services mode the satellite\_delivery\_system\_descriptor is sufficient.

**Table 41: S2 satellite delivery system descriptor**

Syntax	Number of bits	Identifier
S2_satellite_delivery_system_descriptor(){		
descriptor_tag	8	uimsbf
descriptor_length	8	uimsbf
scrambling_sequence_selector	1	bslbf
multiple_input_stream_flag	1	bslbf
backwards_compatibility_indicator	1	bslbf
reserved_future_use	5	bslbf
if (scrambling_sequence_selector == 1){		
Reserved	6	bslbf
scrambling_sequence_index	18	uimsbf
}		
if (multiple_input_stream_flag == 1){		
input_stream_identifier	8	uimsbf
}		
}		

**Semantics for the S2\_satellite\_delivery\_system\_descriptor:**

**scrambling\_sequence\_selector:** A value 0 specifies that the default DVB-S2 physical layer scrambling sequence of index  $n = 0$  is used. A value 1 means that the default scrambling sequence is not used and that the sequence index  $n$  will be conveyed by the scrambling\_sequence\_index field.

**multiple\_input\_stream\_flag:** The multiple\_input\_stream\_flag is a 1 bit field indicating whether single or multiple transport streams are conveyed. A value "0" indicates that a single transport stream is carried. A value "1" indicates that multiple transport streams are conveyed and that the input\_stream\_identifier (ISI) field is present.

**backwards\_compatibility\_indicator:** This is a 1-bit field. When set to 1 it indicates that this transport stream is the Low Priority transport stream carried on a DVB-S2 backward compatible carrier [8]. When set to 0 it indicates that backward compatible mode is off or not used.

NOTE: The High Priority transport stream of a backwards compatible carrier will be described using the satellite\_delivery\_system\_descriptor rather than this descriptor.

**scrambling\_sequence\_index:** This 18 bit field, when present, carries the index of the DVB-S2 physical layer scrambling sequence as defined in clause 5.5.4 of ETSI EN 302 307 [8].

**input\_stream\_identifier:** This 8 bit field carries the DVB-S2 input\_stream\_identifier (ISI) as defined in clause 5.1.6 of ETSI EN 302 307-1 [8].

**6.2.13.4 Terrestrial delivery system descriptor**

See table 42.

NOTE: The delivery system descriptor for DVB-T2 transmissions is specified in clause 6.4.5.3.

**Table 42: Terrestrial delivery system descriptor**

Syntax	Number of bits	Identifier
terrestrial_delivery_system_descriptor(){		
descriptor_tag	8	uimsbf
descriptor_length	8	uimsbf
centre_frequency	32	uimsbf
bandwidth	3	bslbf
priority	1	bslbf
Time_Slicing_indicator	1	bslbf
MPE-FEC_indicator	1	bslbf
reserved_future_use	2	bslbf
constellation	2	bslbf
hierarchy_information	3	bslbf
code_rate-HP_stream	3	bslbf
code_rate-LP_stream	3	bslbf
guard_interval	2	bslbf
transmission_mode	2	bslbf
other_frequency_flag	1	bslbf
reserved_future_use	32	bslbf
}		

**Semantics for terrestrial delivery system descriptor:**

**centre\_frequency:** The centre\_frequency is a 32-bit field giving the centre frequency value in multiples of 10 Hz. The coding range is from minimum 10 Hz (0x00000001) up to a maximum of 42 949 672 950 Hz (0xFFFFFFFF).

**bandwidth:** This is a 3-bit field specifying the bandwidth in use. It shall be coded according to table 43.

**Table 43: Signalling format for the bandwidth**

Bandwidth	Bandwidth value
000	8 MHz
001	7 MHz
010	6 MHz
011	5 MHz
100 to 111	Reserved for future use

**priority:** This 1-bit flag indicates the stream's hierarchical priority. It shall be coded according to table 44. In case the hierarchy\_information field is not equal to "000", if priority is set to "1", it indicates that the associated transport stream is a HP stream, and if priority is set to "0", the associated transport stream is a LP stream. In case the hierarchy\_information field has the value "000", the priority flag shall be set to "1".

**Table 44: Signalling format for the priority**

priority	Description
1	HP (high priority)
0	LP (low priority)

**Time\_Slicing\_indicator:** This 1-bit field indicates the use of the Time Slicing on the associated transport stream. If the Time\_Slicing\_indicator is set ("1"), Time Slicing is not used. If the Time\_Slicing\_indicator is cleared ("0"), at least one elementary stream uses Time Slicing.

The Time Slicing is defined in ETSI EN 301 192 [4].

**MPE-FEC\_indicator:** This 1-bit field indicates the use of the MPE-FEC on the associated transport stream. If the MPE-FEC\_indicator is set ("1"), MPE-FEC is not used. If the MPE-FEC\_indicator is cleared ("0"), at least one elementary stream uses MPE-FEC.

The MPE-FEC is defined in ETSI EN 301 192 [4].

**constellation:** This is a 2-bit field. It specifies the constellation pattern used on a terrestrial delivery system according to table 45.

**Table 45: Signalling format for the possible constellation patterns**

Constellation	Constellation characteristics
00	QPSK
01	16-QAM
10	64-QAM
11	reserved for future use

**hierarchy\_information:** The hierarchy\_information specifies whether the transmission is hierarchical and, if so, what the  $\alpha$  value is (see table 46). Also, the use of in-depth interleaver is indicated. When the transmission\_mode indicates the use of 8k mode, only the native interleaver shall be signalled.

**Table 46: Signalling format for the  $\alpha$  values and the used interleaver**

Hierarchy_information	$\alpha$ value
000	non-hierarchical, native interleaver
001	$\alpha = 1$ , native interleaver
010	$\alpha = 2$ , native interleaver
011	$\alpha = 4$ , native interleaver
100	non-hierarchical, in-depth interleaver
101	$\alpha = 1$ , in-depth interleaver
110	$\alpha = 2$ , in-depth interleaver
111	$\alpha = 4$ , in-depth interleaver

**code\_rate:** The code\_rate is a 3-bit field specifying the inner FEC scheme used according to table 47. Non-hierarchical channel coding and modulation requires signalling of one code rate. In this case, 3 bits specifying code\_rate according to table 47 are followed by another 3 bits of value "000". Two different code rates may be applied to two different levels of modulation with the aim of achieving hierarchy. Transmission then starts with the code rate for the HP level of the modulation and ends with the one for the LP level.

**Table 47: Signalling format for each of the code rates**

code_rate	Description
000	1/2
001	2/3
010	3/4
011	5/6
100	7/8
101 to 111	reserved for future use

**guard\_interval:** The guard\_interval is a 2-bit field specifying the guard interval according to table 48.

**Table 48: Signalling format for each of the guard interval values**

guard_interval	Guard interval values
00	1/32
01	1/16
10	1/8
11	1/4

**transmission\_mode:** This 2-bit field indicates the number of carriers in an OFDM frame according to table 49.

**Table 49: Signalling format for transmission mode**

transmission_mode	Description
00	2k mode
01	8k mode
10	4k mode
11	reserved for future use



**other\_frequency\_flag:** This 1-bit flag indicates whether other frequencies are in use. The value "0" indicates that no other frequency is in use, "1" indicates that one or more other frequencies are in use.

## 6.2.14 DSNG descriptor

In Digital Satellite News Gathering (DSNG) transmissions the Transport Stream Description Table (TSDT) shall be present in the bitstream and the TSDT descriptor loop shall contain the DSNG descriptor with the ASCII codes for "CONA" in the text field (see ETSI EN 301 210 [5]).

For DSNG applications at least one DSNG descriptor (see table 50) shall be present in the TSDT.

**Table 50: DSNG descriptor**

Syntax	Number of bits	Identifier
DSNG_descriptor () {		
descriptor_tag	8	uimsbf
descriptor_length	8	uimsbf
for (i=0;i<N;i++) {		
byte	8	uimsbf
}		
}		

**byte:** The sequence of bytes in the DSNG descriptor is defined ETSI EN 301 210 [5].

## 6.2.15 Extended event descriptor

The extended event descriptor (see table 51) provides a detailed text description of an event, which may be used in addition to the short event descriptor. More than one extended event descriptor can be associated to allow information about one event greater in length than 256 bytes to be conveyed. Text information can be structured into two columns, one giving an item description field and the other the item text. A typical application for this structure is to give a cast list, where for example the item description field might be "Producer" and the item field would give the name of the producer.

**Table 51: Extended event descriptor**

Syntax	Number of bits	Identifier
extended_event_descriptor() {		
descriptor_tag	8	uimsbf
descriptor_length	8	uimsbf
descriptor_number	4	uimsbf
last_descriptor_number	4	uimsbf
ISO_639_language_code	24	bslbf
length_of_items	8	uimsbf
for ( i=0;i<N;i++){		
item_description_length	8	uimsbf
for (j=0;j<N;j++){		
item_description_char	8	uimsbf
}		
item_length	8	uimsbf
for (j=0;j<N;j++){		
item_char	8	uimsbf
}		
}		
text_length	8	uimsbf
for (i=0;i<N;i++){		
text_char	8	uimsbf
}		
}		

**Semantics for the extended event descriptor:**

**descriptor\_number:** This 4-bit field gives the number of the descriptor. It is used to associate information which cannot be fitted into a single descriptor. The descriptor\_number of the first extended\_event\_descriptor of an associated set of extended\_event\_descriptors shall be "0x00". The descriptor\_number shall be incremented by 1 with each additional extended\_event\_descriptor in this section.

**last\_descriptor\_number:** This 4-bit field specifies the number of the last extended\_event\_descriptor (that is, the descriptor with the highest value of descriptor\_number) of the associated set of descriptors of which this descriptor is part.

**ISO\_639\_language\_code:** This 24-bit field identifies the language of the following text fields. The ISO\_639\_language\_code contains a 3-character code as specified by ISO 639-2 [42]. Both ISO 639-2/B and ISO 639-2/T may be used. Each character is coded into 8 bits according to ISO/IEC 8859-1 [23] and inserted in order into the 24-bit field.

EXAMPLE: French has 3-character code "fre", which is coded as:  
"0110 0110 0111 0010 0110 0101".

**length\_of\_items:** This is an 8-bit field specifying the length in bytes of the following items.

**item\_description\_length:** This 8-bit field specifies the length in bytes of the item description.

**item\_description\_char:** This is an 8-bit field. A string of "item\_description\_char" fields specify the item description. Text information is coded using the character sets and methods described in annex A.

**item\_length:** This 8-bit field specifies the length in bytes of the item text.

**item\_char:** This is an 8-bit field. A string of "item\_char" fields specify the item text. Text information is coded using the character sets and methods described in annex A.

**text\_length:** This 8-bit field specifies the length in bytes of the non itemized extended text.

**text\_char:** This is an 8-bit field. A string of "text\_char" fields specify the non itemized extended text. Text information is coded using the character sets and methods described in annex A.

## 6.2.16 Extension descriptor

The extension descriptor is (see table 52) used to extend the 8-bit namespace of the descriptor\_tag field.

**Table 52: Extension descriptor**

Syntax	Number of bits	Identifier
extension_descriptor(){		
descriptor_tag	8	uimsbf
descriptor_length	8	uimsbf
descriptor_tag_extension	8	uimsbf
for (i=0;i<N;i++){		
selector_byte	8	bslbf
}		
}		

**Semantics for the extension descriptor:**

**descriptor\_tag\_extension:** The descriptor tag extension is an 8-bit field which identifies each extended descriptor. The values of descriptor\_tag\_extension are defined in clause 6.3.

**selector\_byte:** This is an 8-bit field. The sequence of selector\_byte fields specifies the selector field. The syntax and semantics of the selector field are defined in clause 6.4.

## 6.2.17 Frequency list descriptor

The frequency list descriptor (see table 53) may be used in the NIT. It gives the complete list of additional frequencies for a certain multiplex which is transmitted on multiple frequencies.

**Table 53: Frequency list descriptor**

Syntax	Number of bits	Identifier
<code>frequency_list_descriptor(){</code>		
<code>descriptor_tag</code>	8	uimsbf
<code>descriptor_length</code>	8	uimsbf
<code>reserved_future_use</code>	6	bslbf
<code>coding_type</code>	2	bslbf
<code>for (i=0;I&lt;N;i++){</code>		
<code>centre_frequency</code>	32	uimsbf
<code>}</code>		
<code>}</code>		

**Semantics for the frequency list descriptor:**

**coding\_type:** This is a 2-bit field that indicates how the frequency is coded and relates to the delivery system used. It has a value indicated in table 54.

**Table 54: Coding type values**

Coding_type	Delivery system
00	not defined
01	satellite
10	cable
11	terrestrial

**centre\_frequency:** This is as defined in the `delivery_system_descriptor` for the delivery system given by the `coding_type`.

## 6.2.18 FTA content management descriptor

### 6.2.18.0 Semantics and syntax of the FTA content management descriptor

The FTA content management descriptor (see table 55) provides a means of defining the content management policy for an item of content delivered as part of a free-to-air (FTA) DVB Service.

The signalling conveyed by this descriptor has been designed for use in the context of the DVB's Content Protection Copy Management (CPCM) solution. However, the descriptor may also be used in a non-CPCM context.

The FTA flags are intended to signal to a receiving device (not limited to a DVB CPCM implementation) the configuration of internal states that affect the means by which content might be redistributed. It reflects the broadcaster's intention for content usage and shall result in a similar user experience across implementations.

The FTA content usage restrictions defined in this clause apply to 'remote access over the Internet' and 'content scrambling'. They can be summarized as follows:

- When remote access is fully enabled (`control_remote_access_over_internet = 00`), content can be viewed, copied, moved and remotely accessed.
- When remote access is enabled within a managed domain (`control_remote_access_over_internet = 01`) content can be viewed, copied and moved locally only; and accessed remotely within a managed domain.
- If remote access is enabled within a managed domain (`control_remote_access_over_internet = 10`) only after 24 hours of the original broadcast to protect e.g. live transmissions, content can be viewed, copied and moved locally from the time of reception until 24 hours after reception; and then after the 24 hour delay time has expired may additionally be accessed remotely within a managed domain.
- When remote access is not permitted (`control_remote_access = 11`) content can be viewed, copied and moved locally only. Some content protection systems may be permitted to expire this prohibition of remote access within a managed domain after a very long time defined by their compliance regimes.

For cases b), c) and d), a managed domain is a distinguishable set of devices belonging to the same household, within which content usage can be controlled. This definition is subject to further refinement by compliance regimes. Likewise, 'local' means within the same immediate vicinity, approximating to the physical extent of a domicile or vehicle. This implies the need for devices to determine whether a device is local to another device prior to applying the related usage rules.

For cases b), c) and d), the transfer of content from/to removable storage medias is by default authorized locally. This removable storage media can be moved to another location and played, even if the playback device belongs to a different managed domain than the one from which the content was transferred to this removable storage media. If content on the removable media storage is bound to the managed domain, content can be further moved and copied within the managed domain. Otherwise, the copy of content shall be bound to the removable storage media and marked 'copy no more' once on the removable storage media.

By default, the signalling does not call for downscaling of content output over analogue interfaces.

When the scrambling after acquisition is enabled (`do_not_scramble = 0`), digital links shall be protected (e.g. DTCP, HDCP).

The FTA signalling information should remain with, and associated to, the content during its entire lifetime as a reminder of the broadcaster's intention.

Implementers are advised to consult possible additional usage and implementation restrictions (e.g. market/regulatory specific), which are not defined in the present document.

**Table 55: FTA content management descriptor**

Syntax	Number of Bits	Identifier
FTA_content_management_descriptor() {		
descriptor_tag	8	uimsbf
descriptor_length	8	uimsbf
user_defined	1	bslbf
reserved_future_use	3	bslbf
do_not_scramble	1	uimsbf
control_remote_access_over_internet	2	uimsbf
do_not_apply_revocation	1	uimsbf
}		

#### Semantics for the FTA content management descriptor:

**descriptor\_tag:** This 8-bit field shall be set to the value 0x7E.

**descriptor\_length:** This 8-bit field specifies the total number of bytes of the data portion of the descriptor following the byte defining the value of this field.

**user\_defined:** The semantics of this 1-bit field may be defined in specifications outside the scope of the present document. If no semantics are defined, it shall be set to zero.

NOTE: Since this flag appears inside a descriptor dealing with restrictions applicable to the usage of content, misinterpretation by the receiver should be avoided. Broadcasters intending to make use of this bit are thus encouraged to coordinate its use with other broadcasters and manufacturers. For Europe, use of this bit is coordinated by DVB.

**do\_not\_scramble:** This is a 1-bit field that indicates whether or not to apply scrambling of the content item for the purposes of content protection.

If `do_not_scramble` is set to '1' then scrambling shall not be applied for the purposes of content protection. If `do_not_scramble` is set to '0' then scrambling shall be applied where applicable for content protection.

The specification of 'where applicable' is not defined by the present document.

**control\_remote\_access\_over\_internet:** This is a 2-bit field. It indicates the policy regarding redistribution of the content item over the internet according to table 56.

**Table 56: Coding of control\_remote\_access\_over\_internet**

Value	Meaning
00	Redistribution over the Internet is enabled.
01	Redistribution over the Internet is enabled but only within a managed domain.
10	Redistribution over the Internet is enabled but only within a managed domain and after a certain short period of time (e.g. 24 hours).
11	Redistribution over the Internet is not allowed with the following exception: Redistribution over the Internet within a managed domain is enabled after a specified long (possibly indefinite) period of time.

In the absence of a managed domain, the values '01' and '10' shall be interpreted as '11'. Hence, since there is no managed domain, this means redistribution over the internet is not allowed.

The specification of 'redistribution over the Internet', 'managed domain', 'certain short period of time' and 'specified long (possibly indefinite) period of time' are not defined by the present document.

**do\_not\_apply\_revocation:** This 1-bit field indicates whether or not to apply the content revocation process to the content item.

If do\_not\_apply\_revocation is set to '1' then the content revocation process shall not be applied. If do\_not\_apply\_revocation is set to '0' then the content revocation process shall be applied.

The specification of 'content revocation process' is not defined by the present document.

### 6.2.18.1 Scope of the FTA content management descriptor

The location of a particular instance of the descriptor defines the scope over which the defined content management policy shall apply. This policy shall apply to all items of content within this scope unless overridden at a scope of greater precedence.

The content management policy for an item of content that falls outside of the scope of all explicit signalling is not defined by the present document.

The following scoping rules are listed in order of increasing precedence, each overriding the scope of the previous one:

- To define a content management policy with the scope of all DVB Services within a network, a single instance may be placed in the corresponding first descriptor loop of the NIT sub-table. If a NIT sub-table contains multiple sections then the descriptor shall only appear in the first descriptor loop of one section.
- To define a content management policy with the scope of all DVB Services within a bouquet, a single instance may be placed in the corresponding first descriptor loop of the BAT sub-table. If a BAT sub-table contains multiple sections then the descriptor shall only appear in the first descriptor loop of one section.
- To define a content management policy with the scope of all DVB Services within a transport stream of a particular network, a single instance may be placed in the corresponding transport stream descriptor loop of the NIT. The content management policy for a transport stream overrides the content management policy of the network (if defined).
- To define a content management policy with the scope of all DVB Services within a transport stream of a particular bouquet, a single instance may be placed in the corresponding transport stream descriptor loop of the BAT. The content management policy for a transport stream overrides the content management policy of the bouquet (if defined).
- To define a content management policy for a single DVB Service a single instance may be placed in the corresponding descriptor loop of the SDT. The content management policy for a service overrides the content management policy of the transport stream, bouquet or network (if defined).

- A content management policy for a single event within a DVB Service can only be defined for the present event. A single instance may be placed in the descriptor loop corresponding to the present event in EITp/f. The content management policy for an event overrides the content management policy of the service, transport stream, bouquet or network (if defined).

NOTE: A single instance may also be placed in each of the descriptor loops of an EIT sub-table but this will only be considered as informative for anything other than the present event of EITp/f.

The effect of defining a content management policy in a BAT that conflicts with a definition of equivalent scope in a NIT is not defined by the present document.

## 6.2.19 Linkage descriptor

### 6.2.19.0 Semantics and syntax of the linkage descriptor

The linkage descriptor (see table 57) identifies a service that can be presented if the consumer requests for additional information related to a specific entity described by the SI system. The location of the linkage descriptor in the syntax indicates the entity for which additional information is available. For example a linkage descriptor located within the NIT shall point to a service providing additional information on the network, a linkage descriptor in the BAT shall provide a link to a service informing about the bouquet, etc.

A CA replacement service can be identified using the linkage descriptor. This service may be selected automatically by the IRD if the CA denies access to the specific entity described by the SI system.

A service replacement service can also be identified using the linkage\_descriptor. This replacement service may be selected automatically by the IRD when the running status of the current service is set to "not\_running".

**Table 57: Linkage descriptor**

Syntax	Number of bits	Identifier
<pre> linkage_descriptor(){   descriptor_tag   descriptor_length   transport_stream_id   original_network_id   service_id   linkage_type   if (linkage_type == 0x08){     mobile_hand-over_info()   } else if (linkage_type == 0x0D){     event_linkage_info()   } else if (linkage_type &gt;= 0x0E &amp;&amp; linkage_type &lt;= 0x1F) {     extended_event_linkage_info()   }   for (i=0;i&lt;N;i++){     private_data_byte   } } </pre>	<p>8</p> <p>8</p> <p>16</p> <p>16</p> <p>16</p> <p>8</p> <p>8</p>	<p>uimsbf</p> <p>uimsbf</p> <p>uimsbf</p> <p>uimsbf</p> <p>uimsbf</p> <p>uimsbf</p> <p>bslbf</p>

#### Semantics for the linkage descriptor:

**transport\_stream\_id:** This is a 16-bit field which identifies the TS containing the information service indicated.

**original\_network\_id:** This 16-bit field gives the label identifying the network\_id of the originating delivery system of the information service indicated.

**service\_id:** This is a 16-bit field which uniquely identifies an information service within a TS. The service\_id is the same as the program\_number in the corresponding program\_map\_section. If the linkage\_type field has the value 0x04, then the service\_id field is not relevant, and shall be set to 0x0000.

**linkage\_type:** This is an 8-bit field specifying the type of linkage e.g. to information (see table 58).

**Table 58: Linkage type coding**

linkage_type	Description
0x00	reserved for future use
0x01	information service
0x02	EPG service
0x03	CA replacement service
0x04	TS containing complete Network/Bouquet SI
0x05	service replacement service
0x06	data broadcast service
0x07	RCS Map
0x08	mobile hand-over
0x09	System Software Update Service (ETSI TS 102 006 [11])
0x0A	TS containing SSU BAT or NIT (ETSI TS 102 006 [11])
0x0B	IP/MAC Notification Service (ETSI EN 301 192 [4])
0x0C	TS containing INT BAT or NIT (ETSI EN 301 192 [4])
0x0D	event linkage (see note)
0x0E to 0x1F	extended event linkage (see note)
0x20 to 0x7F	reserved for future use
0x80 to 0xFE	user defined
0xFF	reserved for future use
NOTE: A linkage_type with a value in the range 0x0D to 0x1F is only valid when the descriptor is carried in the EIT.	

**mobile\_hand-over\_info():** This field shall be coded according to clause 6.2.19.1.

**event\_linkage\_info():** This field shall be coded according to clause 6.2.19.2.

**extended\_event\_linkage\_info():** This field shall be coded according to clause 6.2.19.3.

**private\_data\_byte:** This is an 8-bit field, the value of which is privately defined.

### 6.2.19.1 Mobile hand-over linkage

A service to which a mobile receiver might hand-over to can also be identified using the mobile\_hand-over\_info() structure in the linkage\_descriptor. This service may be selected automatically by the IRD when the actual service is no longer receivable under its service\_id. The hand-over\_type identifies whether the linkage\_descriptor links to the same service in a different country, to a local variation of the service or an associated service.

The mobile\_hand-over\_info() shall be coded according to table 59.

**Table 59: Mobile hand-over info**

Syntax	Number of bits	Identifier
mobile_hand-over_info(){		
hand-over_type	4	bslbf
reserved_future_use	3	bslbf
origin_type	1	bslbf
if (hand-over_type == 0x01		
hand-over_type == 0x02		
hand-over_type == 0x03){		
network_id	16	uimbsf
}		
if (origin_type == 0x00){		
initial_service_id	16	uimbsf
}		
}		

#### Semantics for the mobile hand-over info:

**hand-over\_type:** This is a 4-bit field specifying the type of hand-over (see table 60).

**Table 60: Hand-over type coding**

hand-over_type	Description
0x00	reserved for future use
0x01	DVB hand-over to an identical service in a neighbouring country
0x02	DVB hand-over to a local variation of the same service
0x03	DVB hand-over to an associated service
0x04 to 0x0F	reserved for future use

**origin\_type:** This is a flag specifying in which table the link is originated (see table 61).

**Table 61: Origin type coding**

origin_type	Description
0x00	NIT
0x01	SDT

**network\_id:** This is a 16-bit field which identifies the terrestrial network that supports the service indicated.

**initial\_service\_id:** This is a 16-bit field which identifies the service for which the hand-over linkage is valid.

### 6.2.19.2 Event linkage

Two events can be signalled as equivalent using the using the event\_linkage\_info() structure in the linkage\_descriptor. The event being linked to may be a simulcast or may be time offset. The event\_simulcast flag shall only be set if the target event is higher quality.

The event\_linkage\_info() shall be coded according to table 62.

**Table 62: Event linkage info**

Syntax	Number of bits	Identifier
event_linkage_info(){		
target_event_id	16	uimsbf
target_listed	1	bslbf
event_simulcast	1	bslbf
reserved	6	bslbf
}		

#### Semantics for the event linkage info:

**target\_event\_id:** This 16-bit field identifies the event\_id of the event (the target event), carried on the service defined by the original\_network\_id, transport\_stream\_id and service\_id, which is equivalent to the event identified by the location of this descriptor (the source event).

**target\_listed:** This 1-bit field signals whether the service defined by the original\_network\_id, transport\_stream\_id and service\_id is included in the SDT carried in that Transport Stream. When target\_listed is set to 1 (one), the service shall be included in the SDT, otherwise it may not be. In the latter case, the following conditions shall be met:

- the service\_type for the service shall be 0x19 (H.264/AVC HD digital television service) if the events are simulcast, otherwise the service\_type shall be the same as for the service where the source event is carried;
- EIT<sub>p/f</sub> information shall be available for the service in that Transport Stream;
- the service shall be running.

**event\_simulcast:** This 1-bit field shall be set to 1 (one) when the target event and the source event are being simulcast. It shall be set to 0 (zero) when the events are offset in time.



### 6.2.19.3 Extended event linkage

Several events can be signalled as equivalent using the using the extended event\_linkage\_info() structure in the linkage\_descriptor. The event being linked to may be a simulcast or may be time offset.

The extended\_event\_linkage\_info() shall be coded according to table 63.

**Table 63: Extended event linkage info**

Syntax	Number of bits	Identifier
extended_event_linkage_info(){		
loop_length	8	uimsbf
for(i=0;i<N;i++){		
target_event_id	16	uimsbf
target_listed	1	bslbf
event_simulcast	1	bslbf
link_type	2	uimsbf
target_id_type	2	uimsbf
original_network_id_flag	1	bslbf
service_id_flag	1	bslbf
if (target_id_type == 3) {		
user_defined_id	16	uimsbf
} else {		
if (target_id_type == 1) {		
target_transport_stream_id	16	uimsbf
}		
if (original_network_id_flag) {		
target_original_network_id	16	uimsbf
}		
if (service_id_flag) {		
target_service_id	16	uimsbf
}		
}		
}		
}		

#### Semantics for the extended event linkage info:

**loop\_length:** This 8-bit field indicates the size in bytes of the following loop.

**target\_event\_id:** This 16-bit field identifies the event\_id of the event (the target event), carried on the service defined by the original\_network\_id, transport\_stream\_id and service\_id, which is equivalent to the event identified by the location of this descriptor (the source event).

**target\_listed:** This 1-bit field signals whether the service defined by the original\_network\_id, transport\_stream\_id and service\_id is included in the SDT carried in that Transport Stream. When target\_listed is set to 1 (one), the service shall be included in the SDT, otherwise it may not be. In the latter case, the following conditions shall be met:

- the service\_type for the service shall be 0x19 (H.264/AVC HD digital television service) if the events are simulcast, otherwise the service\_type shall be the same as for the service where the source event is carried;
- EIT<sub>p/f</sub> information shall be available for the service in that Transport Stream;
- the service shall be running.

**event\_simulcast:** This 1-bit field shall be set to 1 (one) when the target event and the source event are being simulcast. It shall be set to 0 (zero) when the events are offset in time.

**link\_type:** This 2-bit field indicates the type of the target service. It shall be coded according to table 64.

Table 64: Link type coding

link_type	linkage_type (see note)	Type of target service
0	0x0E	SD
1	0x0E	HD
2	0x0E	frame compatible plano-stereoscopic H.264/AVC
3	0x0E	service compatible plano-stereoscopic MVC
0	0x0F	UHD
1	0x0F	service frame compatible plano-stereoscopic
2 to 3	0x0F	reserved for future use
0 to 3	0x10 to 0x1F	reserved for future use

NOTE: See table 58.

**target\_id\_type:** This 2-bit field, together with the original\_network\_id\_flag, and the service\_id\_flag, identifies the target service or services. A value of zero indicates that the transport\_stream\_id shall be used to identify a single target service. A value of one indicates that the target\_transport\_stream\_id shall be used instead of the transport\_stream\_id to identify a single target service. A value of two indicates that the target services can be in one or more transport streams (wildcarded TSid). A value of 3 indicates the target services are matched using a user defined identifier. The target\_id\_type field shall be coded according to table 65.

Table 65: Target id type coding

target_id_type	How target service is matched
0	use transport_stream_id
1	use target_transport_stream_id
2	match any transport_stream_id (wildcard)
3	use user_defined_id

Table 66 shows which identifiers shall be used for matching target services, controlled by the combination of the target\_id\_type, the original\_network\_id\_flag, and the service\_id\_flag fields.

Table 66: Target service matching rules

target_id_type	original_network_id_flag	service_id_flag	Identifiers used for matching the target service:					
			transport_stream_id	original_network_id	service_id	target_transport_stream_id	target_original_network_id	target_service_id
0	0	0	X	X	X			
		1	X	X				X
	1	0	X		X		X	
		1	X				X	X
1	0	0		X	X	X		
		1		X		X		X
	1	0			X	X	X	
		1				X	X	X
2 (see note)	0	0		X	X			
		1		X				X
	1	0			X		X	
		1					X	X
3	n/a	n/a	All services matched with user_defined_id					

**NOTE:** When `target_id_type` is set to two, neither `transport_stream_id`, nor `target_transport_stream_id` are used for matching. Instead, all services with matching remaining identifiers as shown, are considered matches.

**original\_network\_id\_flag:** This 1-bit flag, which when set to 1 (one) indicates that the `target_original_network_id` shall be used instead of the `original_network_id` to determine the target service. See also table 66.

**service\_id\_flag:** This 1-bit flag, which when set to 1 (one) indicates that the `target_service_id` shall be used instead of the `service_id` to determine the target service. See also table 66.

**user\_defined\_id:** If this 16-bit field is used, the linkage descriptor should be in the scope of a private data specifier descriptor, so the receiver can determine the meaning of the `user_defined_id` field.

**target\_transport\_stream\_id:** This is a 16-bit field which identifies an alternate TS containing the information service indicated, under the control of the `target_id_type`, the `original_network_id_flag`, and the `service_id_flag` fields (see table 66).

**target\_original\_network\_id:** This 16-bit field gives the label identifying the `network_id` of an alternate originating delivery system of the information service indicated, under the control of the `target_id_type`, the `original_network_id_flag`, and the `service_id_flag` fields (see table 66).

**target\_service\_id:** This is a 16-bit field which identifies an alternate information service indicated, under the control of the `target_id_type`, the `original_network_id_flag`, and the `service_id_flag` fields (see table 66).

## 6.2.20 Local time offset descriptor

The local time offset descriptor (see table 67) may be used in the TOT to describe country specific dynamic changes of the local time offset relative to UTC.

**Table 67: Local time offset descriptor**

Syntax	Number of bits	Identifier
<code>local_time_offset_descriptor(){</code>		
<code>descriptor_tag</code>	8	uimbsf
<code>descriptor_length</code>	8	uimbsf
<code>for(i=0;i&lt;N;i++){</code>		
<code>country_code</code>	24	bslbf
<code>country_region_id</code>	6	bslbf
<code>reserved</code>	1	bslbf
<code>local_time_offset_polarity</code>	1	bslbf
<code>local_time_offset</code>	16	bslbf
<code>time_of_change</code>	40	bslbf
<code>next_time_offset</code>	16	bslbf
<code>}</code>		
<code>}</code>		

### Semantics for the local time offset descriptor:

**country\_code:** This 24-bit field identifies a country using the 3-character code as specified in ISO 3166 [41]. Each character is coded into 8-bits according to ISO/IEC 8859-1 [23] and inserted in order into the 24-bit field. In the case of that the 3 characters represent a number in the range of 900 to 999, then country code specifies an ETSI defined group of countries. These allocations are in ETSI TS 101 162 [i.1]. Country codes for groups of countries shall be limited to those within a single time zone.

EXAMPLE: United Kingdom has 3-character code "GBR", which is coded as:  
"0100 0111 0100 0010 0101 0010".

**country\_region\_id:** This 6-bit field identifies a zone according to table 68, in the country which is indicated by `country_code`. This is set to "000000" when there are no different local time zones in the country.

**Table 68: Coding of country\_region\_id**

Country_region_id	Description
00 0000	no time zone extension used
00 0001	time zone 1 (most easterly region)
00 0010	time zone 2
.....	....
11 1100	time zone 60
11 1101 to 11 1111	reserved

**local\_time\_offset\_polarity:** This 1-bit information indicates the polarity of the following local\_time\_offset and next\_time\_offset. If this bit is set to "0" the polarity is positive and the local time is ahead of UTC. If this bit is set to "1" the polarity is negative and the local time is behind UTC.

**local\_time\_offset:** This 16-bit field contains the offset time from UTC at a time when current UTC time is early with respect to time\_of\_change. In conjunction with the local\_time\_offset\_polarity, this indicates the time offset in the area which is indicated by the combination of country\_code and country\_region\_id. These 16 bits are coded as 4 digits in 4-bit BCD in the order hour tens, hour, minute tens, and minutes.

**time\_of\_change:** This is a 40-bit field which specifies the date and time in MJD and UTC (see annex C), when the time change takes place. This 40-bit field is coded as 16 bits giving the 16 LSBs of MJD followed by 24 bits coded as 6 digits in the 4-bit BCD.

**next\_time\_offset:** This 16-bit field contains the offset time from UTC at a time when current UTC time is equal to or after time\_of\_change. In conjunction with the local\_time\_offset\_polarity this indicates the time offset in the area which is indicated by the combination of country\_code and country\_region\_id. These 16-bits are coded as 4-digits in 4-bit BCD in the order hour tens, hour, minute tens and minutes.

## 6.2.21 Mosaic descriptor

A mosaic component is a collection of different video images to form a coded video component. The information is organized so that each specific information when displayed appears on a small area of a screen.

The mosaic descriptor gives a partitioning of a digital video component into elementary cells, the allocation of elementary cells to logical cells, and gives a link between the content of the logical cell and the corresponding information (e.g. bouquet, service, event, etc.), see table 69.

Table 69: Mosaic descriptor

Syntax	Number of bits	Identifier
mosaic_descriptor(){		
descriptor_tag	8	uimsbf
descriptor_length	8	uimsbf
mosaic_entry_point	1	bslbf
number_of_horizontal_elementary_cells	3	uimsbf
reserved_future_use	1	bslbf
number_of_vertical_elementary_cells	3	uimsbf
for (i=0;i<N; i++) {		
logical_cell_id	6	uimsbf
reserved_future_use	7	bslbf
logical_cell_presentation_info	3	uimsbf
elementary_cell_field_length	8	uimsbf
for (i=0;j<elementary_cell_field_length;j++) {		
reserved_future_use	2	bslbf
elementary_cell_id	6	uimsbf
}		
cell_linkage_info	8	uimsbf
if (cell_linkage_info ==0x01){		
bouquet_id	16	uimsbf
}		
if (cell_linkage_info ==0x02){		
original_network_id	16	uimsbf
transport_stream_id	16	uimsbf
service_id	16	uimsbf
}		
if (cell_linkage_info ==0x03){		
original_network_id	16	uimsbf
transport_stream_id	16	uimsbf
service_id	16	uimsbf
}		
if (cell_linkage_info ==0x04){		
original_network_id	16	uimsbf
transport_stream_id	16	uimsbf
service_id	16	uimsbf
event_id	16	uimsbf
}		
}		
}		

**Semantics for the Mosaic Descriptor:**

**mosaic\_entry\_point:** This is a 1-bit field which when set to a value of "1" indicates that the mosaic is the highest mosaic in a hierarchy. A complete mosaic system could be organized in a tree structure, the flag being set to identify the entry point in the tree.

**number\_of\_horizontal\_elementary\_cells:** This 3-bit field indicates the number of cells of horizontal screen display, see table 70 for coding.

Table 70: Coding of horizontal\_elementary\_cells

Value	Meaning
0x00	one cell
0x01	two cells
0x02	three cells
0x03	four cells
0x04	five cells
0x05	six cells
0x06	seven cells
0x07	eight cells

**number\_of\_vertical\_elementary\_cells:** This 3-bit field indicates the number of cells of vertical screen display, see table 71 for coding.

**Table 71: Coding of vertical\_elementary\_cells**

Value	Meaning
0x00	one cell
0x01	two cells
0x02	three cells
0x03	four cells
0x04	five cells
0x05	six cells
0x06	seven cells
0x07	eight cells

**logical\_cell\_id:** This 6-bit field is coded in binary form. Different adjacent (see figure 3) elementary cells may be grouped together to form a logical cell. A logical\_cell\_number is associated to such a group of adjacent elementary\_cell\_ids. The total number of logical cells shall not exceed the number of elementary cells (maximum = 64). Each elementary cell shall be allocated to one logical cell.

More than one elementary cell may belong to one logical cell.

<b>A</b>	<b>B</b>	<b>C</b>
<b>D</b>	<b>E</b>	<b>F</b>
<b>G</b>	<b>H</b>	<b>I</b>

NOTE: Cells B, D, H, F are adjacent to cell E; C is not adjacent to A or D; D is not adjacent to H.

**Figure 3: Adjacent cells**

**logical\_cell\_presentation\_info:** This 3-bit field identifies the type of presentation for a logical cell. The logical\_cell\_presentation information allows an identification of presentation styles, which are defined in table 72.

**Table 72: Coding of logical\_cell\_presentation\_info**

Value	Meaning
0x00	undefined
0x01	video
0x02	still picture (see note)
0x03	graphics/text
0x04 to 0x07	reserved for future use
NOTE:	Still picture: A coded still picture consists of a video sequence containing exactly one coded picture which is intra-coded.

**elementary\_cell\_field\_length:** The elementary\_cell\_field\_length is an 8-bit field specifying the number of bytes following this field up to and including the last elementary\_cell\_id in this logical\_cell\_id loop.

**elementary\_cell\_id:** This 6-bit field indicates in binary form the number of the cell. The value of this field is in the range 0 to N.

NOTE: The elementary cells are implicitly numbered from 0 to N. The value 0 is allocated to the cell of the first row (top left corner). This number is incremented from left to right and from top to bottom in such a way that the number N is allocated to the cell of the last position of the last row (bottom right corner).

**cell\_linkage\_info:** This 8-bit field identifies the type of information carried in a logical cell, see table 73 for coding.

**Table 73: Coding of cell\_linkage\_info**

Value	Meaning
0x00	undefined
0x01	bouquet related
0x02	service related
0x03	other mosaic related
0x04	event related
0x05 to 0xFF	reserved for future use

**bouquet\_id:** This is a 16-bit field which serves as a label to identify the bouquet described by the cell.

**original\_network\_id:** This 16-bit field is a label (see clause 5.2) which in conjunction with the following fields uniquely identifies a service, event or mosaic.

**transport\_stream\_id:** This is a 16-bit field which serves as a label identifying the TS which contains the service, event or mosaic described by the cell.

**service\_id:** This is a 16-bit field which identifies a service within a TS. The service\_id is the same as the program\_number in the corresponding program\_map\_section.

The interpretation of this field is context sensitive, dependent on the value of cell\_linkage\_info:

- when cell\_linkage\_info = "0x02", this is the service\_id of the service described by the cell;
- when cell\_linkage\_info = "0x03", this is the service\_id of the mosaic service described by the cell;
- when cell\_linkage\_info = "0x04", this is the service\_id of the service to which the event described by the cell belongs.

**event\_id:** This is a 16-bit field containing the identification number of the described event.

## 6.2.22 Multilingual bouquet name descriptor

The multilingual bouquet name descriptor (see table 74) provides the bouquet name in text form in one or more languages.

**Table 74: Multilingual bouquet name descriptor**

Syntax	Number of bits	Identifier
multilingual_bouquet_name_descriptor(){		
descriptor_tag	8	uimsbf
descriptor_length	8	uimsbf
for (i=0;i<N;i++){		
ISO_639_language_code	24	bslbf
bouquet_name_length	8	uimsbf
for (j=0;j<N;j++){		
char	8	uimsbf
}		
}		
}		

### Semantics for the multilingual bouquet name descriptor:

**ISO\_639\_language\_code:** This 24-bit field contains the ISO 639-2 [42] three character language code of the language of the following bouquet name. Both ISO 639-2/B and ISO 639-2/T may be used. Each character is coded into 8 bits according to ISO/IEC 8859-1 [23] and inserted in order into the 24-bit field.

EXAMPLE: French has 3-character code "fre", which is coded as:  
"0110 0110 0111 0010 0110 0101".

**bouquet\_name\_length:** This 8-bit field specifies the length in bytes of the following bouquet name.

**char:** This is an 8-bit field. A string of char fields specify the name of the bouquet about which the BAT sub-table informs in the language specified. Text information is coded using the character sets and methods described in annex A.

## 6.2.23 Multilingual component descriptor

The multilingual component descriptor (see table 75) provides a text description of a component in one or more languages. The component is identified by its component tag value.

**Table 75: Multilingual component descriptor**

Syntax	Number of bits	Identifier
<pre> multilingual_component_descriptor(){   descriptor_tag   descriptor_length   component_tag   for (i=0;i&lt;N;i++) {     ISO_639_language_code     text_description_length     for (j=0;j&lt;N;j++){       text_char     }   } } </pre>	<p>8</p> <p>8</p> <p>8</p> <p>24</p> <p>8</p> <p>8</p>	<p>uimsbf</p> <p>uimsbf</p> <p>uimsbf</p> <p>bslbf</p> <p>uimsbf</p> <p>uimsbf</p>

**Semantics for the multilingual component descriptor:**

**component\_tag:** This 8-bit field has the same value as the component\_tag field in the stream identifier descriptor (if present in the PSI program map section) for the component stream.

**ISO\_639\_language\_code:** This 24-bit field identifies the language of the following text description of the component. The ISO\_639\_language\_code contains a 3-character code as specified by ISO 639-2 [42]. Both ISO 639-2/B and ISO 639-2/T may be used. Each character is coded into 8 bits according to ISO/IEC 8859-1 [23] and inserted in order into the 24-bit field.

EXAMPLE: French has 3-character code "fre", which is coded as:  
"0110 0110 0111 0010 0110 0101".

**text\_description\_length:** This 8-bit field specifies the length in bytes of the following text description.

**text\_char:** This is an 8-bit field. A string of "text\_char" fields specifies a text description of the component stream. Text information is coded using the character sets and methods described in annex A.

## 6.2.24 Multilingual network name descriptor

The multilingual network name descriptor (see table 76) provides the network name in text form in one or more languages.

**Table 76: Multilingual network name descriptor**

Syntax	Number of bits	Identifier
<pre> multilingual_network_name_descriptor(){   descriptor_tag   descriptor_length   for (i=0;i&lt;N;i++) {     ISO_639_language_code     network_name_length     for (j=0;j&lt;N;j++){       char     }   } } </pre>	<p>8</p> <p>8</p> <p>24</p> <p>8</p> <p>8</p>	<p>uimsbf</p> <p>uimsbf</p> <p>bslbf</p> <p>uimsbf</p> <p>uimsbf</p>

**Semantics for the multilingual network name descriptor:**

**ISO\_639\_language\_code:** This 24-bit field contains the ISO 639-2 [42] three character language code of the language of the following network name. Both ISO 639-2/B and ISO 639-2/T may be used. Each character is coded into 8 bits according to ISO/IEC 8859-1 [23] and inserted in order into the 24-bit field.

EXAMPLE: French has 3-character code "fre", which is coded as:  
"0110 0110 0111 0010 0110 0101".

**network\_name\_length:** This 8-bit field specifies the length in bytes of the following network name.



**char:** This is an 8-bit field. A string of char fields specify the name of the network about which the NIT informs in the language specified. Text information is coded using the character sets and methods described in annex A.

## 6.2.25 Multilingual service name descriptor

The multilingual service name descriptor (see table 77) provides the names of the service provider and service in text form in one or more languages.

**Table 77: Multilingual service name descriptor**

Syntax	Number of bits	Identifier
multilingual_service_name_descriptor(){		
descriptor_tag	8	uimsbf
descriptor_length	8	uimsbf
for (i=0;i<N;i++) {		
ISO_639_language_code	24	bslbf
service_provider_name_length	8	uimsbf
for (j=0;j<N;j++){		
char	8	uimsbf
}		
service_name_length	8	uimsbf
for (j=0;j<N;j++){		
char	8	uimsbf
}		
}		
}		

### Semantics for the multilingual service name descriptor:

**ISO\_639\_language\_code:** This 24-bit field contains the ISO 639-2 [42] three character language code of the language of the following text fields. Both ISO 639-2/B and ISO 639-2/T may be used. Each character is coded into 8 bits according to ISO/IEC 8859-1 [23] and inserted in order into the 24-bit field.

EXAMPLE: French has 3-character code "fre", which is coded as:  
"0110 0110 0111 0010 0110 0101".

**service\_provider\_name\_length:** This 8-bit field specifies the length in bytes of the following service provider name.

**service\_name\_length:** This 8-bit field specifies the length in bytes of the following service name.

**char:** This is an 8-bit field. A string of char fields specify the name of the service provider or service. Text information is coded using the character sets and methods described in annex A.

## 6.2.26 Near Video On Demand (NVOD) reference descriptor

This descriptor, in conjunction with the time shifted service and time shifted event descriptors, provides a mechanism for efficiently describing a number of services which carry the same sequence of events, but with the start times offset from one another. Such a group of time-shifted services is referred to as Near Video On Demand, since a user can at any time access near to the start of an event by selecting the appropriate service of the group.

The NVOD reference descriptor (see table 78) gives a list of the services which together form a NVOD service. Each service is also described in the appropriate SDT sub\_table by a time shifted service descriptor, see clause 6.2.44. The time shifted service descriptor associates a time shifted service with a reference\_service\_id. The reference\_service\_id is the label under which a full description of the NVOD service is given, but the reference\_service\_id does not itself correspond to any program\_number in the program\_map\_section.

The time shifted event descriptor is used in the event information for each time shifted service. Instead of duplicating the full information for each event, the time shifted event descriptor points to a reference\_event\_id in the reference service. The full event information is provided in the event information for the reference service.

The services which make up an NVOD service need not all be carried in the same TS. However, a reference service shall be described in the SI in each TS which carries any services of the NVOD service.

**Table 78: NVOD reference descriptor**

Syntax	Number of bits	Identifier
<code>NVOD_reference_descriptor(){</code>		
<code>descriptor_tag</code>	8	uimsbf
<code>descriptor_length</code>	8	uimsbf
<code>for (i=0;i&lt;N;i++){</code>		
<code>transport_stream_id</code>	16	uimsbf
<code>original_network_id</code>	16	uimsbf
<code>service_id</code>	16	uimsbf
<code>}</code>		
<code>}</code>		

**Semantics for the NVOD reference descriptor:**

**transport\_stream\_id:** This is a 16-bit field which identifies the TS.

**original\_network\_id:** This 16-bit field gives the label identifying the network\_id of the originating delivery system.

**service\_id:** This is a 16-bit field which uniquely identifies a service within a TS. The service\_id is the same as the program\_number in the corresponding program\_map\_section.

## 6.2.27 Network name descriptor

The network name descriptor provides the network name in text form (see table 79).

**Table 79: Network name descriptor**

Syntax	Number of bits	Identifier
<code>network_name_descriptor(){</code>		
<code>descriptor_tag</code>	8	uimsbf
<code>descriptor_length</code>	8	uimsbf
<code>for (i=0;i&lt;N;i++){</code>		
<code>char</code>	8	uimsbf
<code>}</code>		
<code>}</code>		

**Semantics for the network name descriptor:**

**char:** This is an 8-bit field. A string of char fields specify the name of the delivery system about which the NIT informs. Text information is coded using the character sets and methods described in annex A.

## 6.2.28 Parental rating descriptor

This descriptor (see table 80) gives a rating based on age and allows for extensions based on other rating criteria.

**Table 80: Parental rating descriptor**

Syntax	Number of bits	Identifier
<code>parental_rating_descriptor(){</code>		
<code>descriptor_tag</code>	8	uimsbf
<code>descriptor_length</code>	8	uimsbf
<code>for (i=0;i&lt;N;i++){</code>		
<code>country_code</code>	24	bslbf
<code>rating</code>	8	uimsbf
<code>}</code>		
<code>}</code>		

### Semantics for the parental rating descriptor:

**country\_code:** This 24-bit field identifies a country using the 3-character code as specified in ISO 3166 [41]. Each character is coded into 8-bits according to ISO/IEC 8859-1 [23] and inserted in order into the 24-bit field. In the case that the 3 characters represent a number in the range 900 to 999, then country\_code specifies an ETSI defined group of countries. These allocations are found in ETSI TS 101 162 [i.1].

EXAMPLE 1: United Kingdom has 3-character code "GBR", which is coded as:  
"0100 0111 0100 0010 0101 0010".

**rating:** This 8-bit field is coded according to table 81, giving the recommended minimum age in years of the end user.

**Table 81: Parental rating descriptor, rating**

Rating	Description
0x00	undefined
0x01 to 0x0F	minimum age = rating + 3 years
0x10 to 0xFF	defined by the broadcaster

EXAMPLE 2: 0x04 implies that end users should be at least 7 years old.

## 6.2.29 Partial Transport Stream (TS) descriptor

See clause 7.1.2.

## 6.2.30 PDC descriptor

The PDC-descriptor (see table 82) extends the DVB system with the functionalities of PDC (ETSI EN 300 231 [1]). The descriptor carries the Programme Identification Label (PIL) as defined in ETSI EN 300 231 [1]. The PIL contains date and time of the first published start time of a certain event.

**Table 82: PDC\_descriptor**

Syntax	Number of bits	Identifier
PDC_descriptor(){		
descriptor_tag	8	uimsbf
descriptor_length	8	uimsbf
reserved_future_use	4	bslbf
programme_identification_label	20	bslbf
}		

### Semantics for the PDC descriptor:

**programme\_identification\_label:** This 20-bit field gives the Programme Identification Label (ETSI EN 300 231 [1]). The structure of the Programme Identification Label (PIL) is as follows (bit number 1 is the leftmost bit of the string).

Programme identification label																			
1	2	3	4	5	6	7	8	9	10	11	12	13	14	15	16	17	18	19	20
M				L	M			L	M			L	M			L			
day					month					hour					minute				

**Figure 4: Programme identification label**

The values for the day, month, hour (24) and minute are binary coded.

## 6.2.31 Private data specifier descriptor

This descriptor (see table 83) is used to identify the specifier of any private descriptors or private fields within descriptors.

**Table 83: Private data specifier descriptor**

Syntax	Number of bits	Identifier
private_data_specifier_descriptor(){ descriptor_tag descriptor_length private_data_specifier }	8 8 32	uimsbf uimsbf uimsbf

**Semantics for the private data specifier descriptor:**

**private\_data\_specifier:** The assignment of values for this field is given in ETSI TS 101 162 [i.1].

**6.2.32 Scrambling descriptor**

The scrambling descriptor (see table 84) indicates the selected mode of operation for the scrambling system. It is located in the program map section at the program loop level. For further clarifications on the usage of the scrambling descriptor refer to annex E.

**Table 84: Scrambling\_descriptor**

Syntax	Number of bits	Identifier
scrambling_descriptor(){ descriptor_tag descriptor_length scrambling_mode }	8 8 8	uimsbf uimsbf uimsbf

**Semantics for the scrambling\_descriptor:**

**scrambling\_mode:** This 8-bit field identifies the selected mode of the scrambling algorithm (see table 85). The technical details of the scrambling algorithm are available only to bona-fide users upon signature of a Non Disclosure Agreement (NDA) administered by the DVB Common Scrambling Algorithm Custodian.

**Table 85: scrambling\_mode coding**

scrambling_mode	Description
0x00	Reserved for future use
0x01	This value indicates use of DVB-CSA1. It is the default mode and shall be used when the scrambling descriptor is not present in the program map section
0x02	This value indicates use of DVB-CSA2
0x03	This value indicates use of DVB-CSA3 in standard mode
0x04	This value indicates use of DVB-CSA3 in minimally enhanced mode
0x05	This value indicates use of DVB-CSA3 in fully enhanced mode
0x06 to 0x0F	Reserved for future use
0x10	This value indicates use of DVB-CISSA version 1
0x11 to 0x1F	Reserved for future DVB-CISSA versions
0x20 to 0x6F	Reserved for future use
0x70 to 0x7F	ATIS defined (ATIS-0800006, see annex J)
0x80 to 0xFE	User defined
0xFF	Reserved for future use

**6.2.33 Service descriptor**

The service descriptor (see table 86) provides the names of the service provider and the service in text form together with the service\_type.

**Table 86: Service descriptor**

Syntax	Number of bits	Identifier
service_descriptor(){		
descriptor_tag	8	uimsbf
descriptor_length	8	uimsbf
service_type	8	uimsbf
service_provider_name_length	8	uimsbf
for (i=0;i<N;i++){		
char	8	uimsbf
}		
service_name_length	8	uimsbf
for (i=0;i<N;i++){		
char	8	uimsbf
}		
}		

**Semantics for the service descriptor:**

**service\_type:** This is an 8-bit field specifying the type of the service. The assignment of service\_type value for a service is described in annex I. It shall be coded according to table 87.

**Table 87: Service type coding**

service_type	Description
0x00	reserved for future use
0x01	digital television service (see note 1)
0x02	digital radio sound service (see note 2)
0x03	Teletext service
0x04	NVOD reference service (see note 1)
0x05	NVOD time-shifted service (see note 1)
0x06	mosaic service
0x07	FM radio service
0x08	DVB SRM service [49]
0x09	reserved for future use
0x0A	advanced codec digital radio sound service
0x0B	H.264/AVC mosaic service
0x0C	data broadcast service
0x0D	reserved for Common Interface Usage (CENELEC EN 50221 [37])
0x0E	RCS Map (see ETSI EN 301 790 [7])
0x0F	RCS FLS (see ETSI EN 301 790 [7])
0x10	DVB MHP service
0x11	MPEG-2 HD digital television service
0x12 to 0x15	reserved for future use
0x16	H.264/AVC SD digital television service
0x17	H.264/AVC SD NVOD time-shifted service
0x18	H.264/AVC SD NVOD reference service
0x19	H.264/AVC HD digital television service
0x1A	H.264/AVC HD NVOD time-shifted service
0x1B	H.264/AVC HD NVOD reference service
0x1C	H.264/AVC frame compatible plano-stereoscopic HD digital television service (see note 3)
0x1D	H.264/AVC frame compatible plano-stereoscopic HD NVOD time-shifted service (see note 3)
0x1E	H.264/AVC frame compatible plano-stereoscopic HD NVOD reference service (see note 3)
0x1F	HEVC digital television service (see note 4)
0x20 to 0x7F	reserved for future use
0x80 to 0xFE	user defined
0xFF	reserved for future use
NOTE 1: MPEG-2 SD material should use this type.	
NOTE 2: MPEG-1 Layer 2 audio material should use this type.	
NOTE 3: For information on the use of these values, see clause I.2.3 and ETSI TS 101 547-2 [54] (3D Guidelines of Frame Compatible 3D-TV).	
NOTE 4: For information on the use of these values, see clause I.2.5 and ETSI TS 101 547-4 [62].	

**service\_provider\_name\_length:** This 8-bit field specifies the number of bytes that follow the service\_provider\_name\_length field for describing characters of the name of the service provider.

**char:** This is an 8-bit field. A string of char fields specify the name of the service provider or service. Text information is coded using the character sets and methods described in annex A.

**service\_name\_length:** This 8-bit field specifies the number of bytes that follow the service\_name\_length field for describing characters of the name of the service.

## 6.2.34 Service availability descriptor

This descriptor (see table 88) may be used in the SDT in a terrestrial network. It provides an identification of the cells in which the service is available or not available.

**Table 88: Service availability descriptor**

Syntax	Number of bits	Identifier
service_availability_descriptor(){		
descriptor_tag	8	uimsbf
descriptor_length	8	uimsbf
availability_flag	1	bslbf
reserved	7	bslbf
for (i=0;i<N;i++) {		
cell_id	16	uimsbf
}		
}		

### Semantics for the service availability descriptor:

**availability\_flag:** This 1-bit indicator, when set to "1" indicates that the service is available on the cell(s) identified by the cell\_id(s) in the following loop and not available on the other cell(s). When the bit is set to "0", it indicates that the service is unavailable on the cell(s) identified by the cell\_id(s) in the following loop and available on the other cell(s).

**cell\_id:** This is a 16-bit field which identifies a cell in the terrestrial network.

## 6.2.35 Service list descriptor

The service list descriptor (see table 89) provides a means of listing the services by service\_id and service type.

**Table 89: Service list descriptor**

Syntax	Number of bits	Identifier
service_list_descriptor(){		
descriptor_tag	8	uimsbf
descriptor_length	8	uimsbf
for (i=0;i<N;i++){		
service_id	16	uimsbf
service_type	8	uimsbf
}		
}		

### Semantics for the service list descriptor:

**service\_id:** This is a 16-bit field which uniquely identifies a service within a TS. The service\_id is the same as the program\_number in the corresponding program\_map\_section, except that in the case of service\_type = 0x04, 0x18 or 0x1B (NVOD reference services) the service\_id does not have a corresponding program\_number.

**service\_type:** This is an 8-bit field specifying the type of the service. The assignment of service\_type value for a service is described in annex I. It shall be coded according to table 87.

## 6.2.36 Service move descriptor

If it is required to move a service from one TS to another, a mechanism is provided which enables an IRD to track the service between TSs by means of a `service_move_descriptor`. It shall be coded according to table 90.

**Table 90: Service move descriptor**

Syntax	Number of bits	Identifier
<code>service_move_descriptor(){</code>		
<code>descriptor_tag</code>	8	uimsbf
<code>descriptor_length</code>	8	uimsbf
<code>new_original_network_id</code>	16	uimsbf
<code>new_transport_stream_id</code>	16	uimsbf
<code>new_service_id</code>	16	uimsbf
<code>}</code>		

### Semantics for the service move descriptor:

**new\_original\_network\_id:** This field contains the `original_network_id` of the TS in which the service is found after the move.

**new\_transport\_stream\_id:** This field contains the `transport_stream_id` of the TS in which the service is found after the move.

**new\_service\_id:** This field contains the `service_id` of the service after the move.

## 6.2.37 Short event descriptor

The short event descriptor provides the name of the event and a short description of the event in text form (table 91).

**Table 91: Short event descriptor**

Syntax	Number of bits	Identifier
<code>short_event_descriptor(){</code>		
<code>descriptor_tag</code>	8	uimsbf
<code>descriptor_length</code>	8	uimsbf
<code>ISO_639_language_code</code>	24	bslbf
<code>event_name_length</code>	8	uimsbf
for (i=0;i<event_name_length;i++){		
<code>event_name_char</code>	8	uimsbf
}		
<code>text_length</code>	8	uimsbf
for (i=0;i<text_length;i++){		
<code>text_char</code>	8	uimsbf
}		
<code>}</code>		

### Semantics for the short event descriptor:

**ISO\_639\_language\_code:** This 24-bit field contains the ISO 639-2 [42] three character language code of the language of the following text fields. Both ISO 639-2/B and ISO 639-2/T may be used. Each character is coded into 8 bits according to ISO/IEC 8859-1 [23] and inserted in order into the 24-bit field.

EXAMPLE: French has 3-character code "fre", which is coded as:  
"0110 0110 0111 0010 0110 0101".

**event\_name\_length:** An 8-bit field specifying the length in bytes of the event name.

**event\_name\_char:** This is an 8-bit field. A string of "char" fields specifies the event name. Text information is coded using the character sets and methods described in annex A.

**text\_length:** This 8-bit field specifies the length in bytes of the following text describing the event.

**text\_char:** This is an 8-bit field. A string of "char" fields specify the text description for the event. Text information is coded using the character sets and methods described in annex A.

## 6.2.38 Short smoothing buffer descriptor

A `smoothing_buffer_descriptor` is specified in ISO/IEC 13818-1 [18] which enables the bit-rate of a service to be signalled in the PSI.

For use in DVB SI Tables, a more compact and efficient descriptor, the `short_smoothing_buffer_descriptor`, is defined here in table 92.

This descriptor may be included in the EIT Present/Following and EIT Schedule Tables to signal the bit-rate for each event.

The bit-rate is expressed in terms of a smoothing buffer size and output leak rate.

The presence of the descriptor in the EIT Present/Following and EIT Schedule Tables is optional.

The data flows into and from the smoothing buffer are defined as follows:

- bytes of TS packets belonging to the associated service are input to the smoothing buffer at the time defined by equation 2-4 of ISO/IEC 13818-1 [18] (definition of the mathematical byte delivery schedule). The following packets belong to the service:
  - all TS packets of all elementary streams of the service, i.e. all PIDs which are listed as `elementary_PIDs` in the extended program information part of the PMT section for the service during the time that the event is transmitted;
  - all TS packets of the PID which is identified as the `program_map_PID` for the service in the PAT at the time that the event is transmitted;
  - all TS packets of the PID which is identified as the `PCR_PID` in the PMT section for the service at the time that the event is transmitted.
- all bytes that enter the buffer also exit it.

**Table 92: Short smoothing buffer descriptor**

Syntax	Number of bits	Identifier
<code>short_smoothing_buffer_descriptor(){</code>		
<code>descriptor_tag</code>	8	uimbsf
<code>descriptor_length</code>	8	uimbsf
<code>sb_size</code>	2	uimbsf
<code>sb_leak_rate</code>	6	uimbsf
for (i=0;i<N;i++){		
<code>DVB_reserved</code>	8	bslbf
}		
}		

### Semantics for the short smoothing buffer descriptor:

**sb\_size:** This 2-bit field indicates the size of the smoothing buffer, and is coded according to table 93.

**Table 93: Smoothing buffer size**

Value	Buffer size (bytes)
0	DVB_reserved
1	1 536
2	DVB_reserved
3	DVB_reserved

NOTE: Due to implementation constraints, the specified buffer size value considers spare capacity that may be required in a 2 kbyte RAM for packet jitter.

**sb\_leak\_rate:** This 6-bit field indicates the value of the leak rate from the buffer, and is coded according to table 94.



Table 94: Smoothing buffer leak rate

Value	Leak rate (Mbit/s)
0	DVB_reserved
1	0,0009
2	0,0018
3	0,0036
4	0,0072
5	0,0108
6	0,0144
7	0,0216
8	0,0288
9	0,075
10	0,5
11	0,5625
12	0,8437
13	1,0
14	1,1250
15	1,5
16	1,6875
17	2,0
18	2,2500
19	2,5
20	3,0
21	3,3750
22	3,5
23	4,0
24	4,5
25	5,0
26	5,5
27	6,0
28	6,5
29	6,7500
30 to 32	$((\text{value}) - 16) \times 0,5$ (7,0 Mbit/s, 7,5 Mbit/s, 8,0 Mbit/s)
33 to 37	$((\text{value}) - 24)$ (9 Mbit/s, 10 Mbit/s, 11 Mbit/s, 12 Mbit/s, 13 Mbit/s)
38	13,5
39 to 43	$((\text{value}) - 25)$ (14 Mbit/s, 15 Mbit/s, 16 Mbit/s, 17 Mbit/s, 18 Mbit/s)
44 to 47	$((\text{value}) - 34) \times 2$ (20 Mbit/s, 22 Mbit/s, 24 Mbit/s, 26 Mbit/s)
48	27
49 to 55	$((\text{value}) - 35) \times 2$ (28 Mbit/s, 30 Mbit/s, 32 Mbit/s to 40 Mbit/s)
56	44
57	48
58	54
59	72
60	108
61 to 63	DVB_reserved

## 6.2.39 Stream identifier descriptor

The stream identifier descriptor (see table 95) may be used in the PSI PMT to label component streams of a service so that they can be differentiated, e.g. by text descriptions given in component descriptors in the EIT if present. The stream identifier descriptor shall be located following the relevant ES\_info\_length field.

Table 95: Stream identifier descriptor

Syntax	Number of bits	Identifier
stream_identifier_descriptor(){		
descriptor_tag	8	uimsbf
descriptor_length	8	uimsbf
component_tag	8	uimsbf
}		

**Semantics for the stream identifier descriptor:**

**component\_tag:** This 8-bit field identifies the component stream for associating it with a description given in a component descriptor. Within a program map section each stream identifier descriptor shall have a different value for this field.

**6.2.40 Stuffing descriptor**

The stuffing descriptor provides a means of invalidating previously coded descriptors or inserting dummy descriptors for table stuffing (see table 96).

**Table 96: Stuffing descriptor**

Syntax	Number of bits	Identifier
stuffing_descriptor(){ descriptor_tag	8	uimsbf
descriptor_length	8	uimsbf
for (i= 0;i<N;i++){ stuffing_byte	8	bslbf
}		
}		

**Semantics for the stuffing descriptor:**

**stuffing\_byte:** This is an 8-bit field. Each occurrence of the field may be set to any value. The IRDs may discard the stuffing bytes.

**6.2.41 Subtitling descriptor**

In the ISO/IEC 13818-1 [18] Program Map Table (PMT) the value of stream\_type for any PID carrying DVB subtitle shall be "0x06" (this indicates a PES carrying private data). See table 97.

**Table 97: Subtitling descriptor**

Syntax	Number of bits	Identifier
subtitling_descriptor(){ descriptor_tag	8	uimsbf
descriptor_length	8	uimsbf
for (i= 0;i<N;i++){ ISO_639_language_code	24	bslbf
subtitling_type	8	bslbf
composition_page_id	16	bslbf
ancillary_page_id	16	bslbf
}		
}		

**Semantics for the subtitling descriptor:**

**ISO\_639\_language\_code:** This 24-bit field contains the ISO 639-2 [42] three character language code of the language of the subtitle. Both ISO 639-2/B and ISO 639-2/T may be used. Each character is coded into 8 bits according to ISO/IEC 8859-1 [23] and inserted in order into the 24-bit field.

EXAMPLE: French has 3-character code "fre", which is coded as:  
"0110 0110 0111 0010 0110 0101".

**subtitling\_type:** This 8 bit field provides information on the content of the subtitle and the intended display. The coding of this field shall use the codes defined for component\_type when stream\_content is 0x03 in table 26 "stream\_content and component\_type".

**composition\_page\_id:** This 16-bit field identifies the composition page. DVB\_subtitling\_segments signalling this page\_id shall be decoded if the previous data in the subtitling descriptor matches the user's selection criteria.

NOTE 1: The `composition_page_id` is signalled in at least the `DVB_subtitling_segments` that define the data structure of the subtitle screen; the `page_composition_segment` and `region_composition_segments`. It may additionally be signalled in segments containing data on which the composition depends.

**ancillary\_page\_id:** This identifies the (optional) ancillary page. `DVB_subtitling_segments` signalling this `page_id` shall also be decoded if the previous data in the subtitling descriptor matches the user's selection criteria. The values in the `ancillary_page_id` and the `composition_page_id` fields shall be the same if no ancillary page is provided.

NOTE 2: The `ancillary_page_id` is never signalled in a composition segment. It may be signalled in Colour Look-Up Table (CLUT) definition segments, object segments and any other type of segment.

NOTE 3: (Terminology): A segment that signals a particular page number in its `page_id` field is said to be "in" that page. The page is said to "contain" that segment.

## 6.2.42 Telephone descriptor

The telephone descriptor may be used to indicate a telephone number which may be used in conjunction with a modem (PSTN or cable) to exploit narrowband interactive channels. Further information is given in ETSI TS 102 201 [i.5].

The telephone descriptor syntax is specified in table 98.

**Table 98: Telephone descriptor**

Syntax	Number of bits	Identifier
<code>telephone_descriptor(){</code>		
<code>descriptor_tag</code>	8	uimsbf
<code>descriptor_length</code>	8	uimsbf
<code>reserved_future_use</code>	2	bslbf
<code>foreign_availability</code>	1	bslbf
<code>connection_type</code>	5	uimsbf
<code>reserved_future_use</code>	1	bslbf
<code>country_prefix_length</code>	2	uimsbf
<code>international_area_code_length</code>	3	uimsbf
<code>operator_code_length</code>	2	uimsbf
<code>reserved_future_use</code>	1	bslbf
<code>national_area_code_length</code>	3	uimsbf
<code>core_number_length</code>	4	uimsbf
for (i=0;i<N;i++){		
<code>country_prefix_char</code>	8	uimsbf
}		
for (i=0;i<N;i++){		
<code>international_area_code_char</code>	8	uimsbf
}		
for (i=0;i<N;i++){		
<code>operator_code_char</code>	8	uimsbf
}		
for (i=0;i<N;i++){		
<code>national_area_code_char</code>	8	uimsbf
}		
for (i=0;i<N;i++){		
<code>core_number_char</code>	8	uimsbf
}		
}		

### Semantics for the telephone descriptor:

**foreign\_availability:** This is a 1-bit flag. When set to "1" it indicates that the number described can be called from outside of the country specified by the `country_prefix`. When set to "0" it indicates that the number can only be called from inside the country specified by the `country_prefix`.

**connection\_type:** This is a 5-bit field which indicates connection types. One example of the use of the connection type is to inform the IRD that when, if an interaction is initiated, if the connection is not made within 1 minute, then the connection attempt should be aborted.

**country\_prefix\_length:** This 2-bit field specifies the number of 8-bit alphanumeric characters in the country prefix.

**international\_area\_code\_length:** This 3-bit field specifies the number of 8-bit alphanumeric characters in the international area code.

**operator\_code\_length:** This 2-bit field specifies the number of 8-bit alphanumeric characters in the operator code.

**national\_area\_code\_length:** This 3-bit field specifies the number of 8-bit alphanumeric characters in the national area code.

**core\_number\_length:** This 4-bit field specifies the number of 8-bit alphanumeric characters in the core number.

**country\_prefix\_char:** This 8-bit field which shall be coded in accordance with ISO/IEC 8859-1 [23] gives one alphanumeric character of the country prefix.

**international\_area\_code\_char:** This 8-bit field which shall be coded in accordance with ISO/IEC 8859-1 [23] gives one alphanumeric character of the international area code.

**operator\_code\_char:** This 8-bit field which shall be coded in accordance with ISO/IEC 8859-1 [23] gives one alphanumeric character of the operator code.

**national\_area\_code\_char:** This 8-bit field which shall be coded in accordance with ISO/IEC 8859-1 [23] gives one alphanumeric character of the national area code.

**core\_number\_char:** This 8-bit field which shall be coded in accordance with ISO/IEC 8859-1 [23] gives one alphanumeric character of the core number.

## 6.2.43 Teletext descriptor

The Teletext descriptor (see table 99) shall be used in the PSI PMT to identify streams which carry EBU Teletext data. The descriptor is to be located in a program map section following the relevant ES\_info\_length field.

**Table 99: Teletext descriptor**

Syntax	Number of bits	Identifier
teletext_descriptor(){		
descriptor_tag	8	uimsbf
descriptor_length	8	uimsbf
for (i=0;i<N;i++){		
ISO_639_language_code	24	bslbf
teletext_type	5	uimsbf
teletext_magazine_number	3	uimsbf
teletext_page_number	8	uimsbf
}		
}		

### Semantics for the Teletext descriptor:

**ISO\_639\_language\_code:** This 24-bit field contains the 3 character ISO 639-2 [42] language code of the language of the teletext. Both ISO 639-2/B and ISO 639-2/T may be used. Each character is coded into 8 bits according to ISO/IEC 8859-1 [23] and inserted in order into the 24-bit field.

EXAMPLE: French has 3-character code "fre", which is coded as:  
"0110 0110 0111 0010 0110 0101".

**teletext\_type:** This 5-bit field indicates the type of Teletext page indicated. This shall be coded according to table 100.

**Table 100: Teletext descriptor, teletext\_type**

Teletext_type	Description
0x00	reserved for future use
0x01	initial Teletext page
0x02	Teletext subtitle page
0x03	additional information page
0x04	programme schedule page
0x05	Teletext subtitle page for hearing impaired people
0x06 to 0x1F	reserved for future use

**teletext\_magazine\_number:** This is a 3-bit field which identifies the magazine number as defined in ETSI EN 300 706 [3].

**teletext\_page\_number:** This is an 8-bit field giving two 4-bit hex digits identifying the page number as defined in ETSI EN 300 706 [3].

## 6.2.44 Time shifted event descriptor

The time shifted event descriptor (see table 101) is used in place of the short\_event\_descriptor to indicate an event which is a time shifted copy of another event.

**Table 101: Time shifted event descriptor**

Syntax	Number of bits	Identifier
time_shifted_event_descriptor(){		
descriptor_tag	8	uimsbf
descriptor_length	8	uimsbf
reference_service_id	16	uimsbf
reference_event_id	16	uimsbf
}		

### Semantics for the time shifted event descriptor:

**reference\_service\_id:** This 16-bit field identifies the reference service of a NVOD collection of services. The reference service can always be found in this TS. The service\_id here does not have a corresponding program\_number in the program\_map\_section.

**reference\_event\_id:** This 16-bit field identifies the reference event of which the event described by this descriptor is a time shifted-copy.

## 6.2.45 Time shifted service descriptor

This descriptor is used in place of the service descriptor to indicate services which are time shifted copies of other services (see table 102).

**Table 102: Time shifted service descriptor**

Syntax	Number of bits	Identifier
time_shifted_service_descriptor(){		
descriptor_tag	8	uimsbf
descriptor_length	8	uimsbf
reference_service_id	16	uimsbf
}		

### Semantics for the time shifted service descriptor:

**reference\_service\_id:** This 16-bit field identifies the reference service of a NVOD collection of services. The reference service can always be found in this TS. The service\_id here does not have a corresponding program\_number in the program\_map\_section.

## 6.2.46 Transport stream descriptor

The transport stream descriptor (see table 103), being transmitted in the TSMT (see ISO/IEC 13818-1 [18]) only, may be used to indicate the compliance of a transport stream with an MPEG based system, e.g. DVB.

**Table 103: Transport stream descriptor**

Syntax	Number of bits	Identifier
<pre>transport_stream_descriptor(){   descriptor_tag   descriptor_length   for (i=0;i&lt;N;i++){     byte   } }</pre>	8	uimsbf
	8	uimsbf
	8	uimsbf

### Semantics for the transport stream descriptor:

**byte:** This is an 8-bit field. For identification of DVB Transport Streams the descriptor\_length field shall be set to the value 0x03 indicating three following bytes. The three bytes shall contain the values 0x44, 0x56, 0x42 (ASCII: "DVB").

## 6.2.47 VBI data descriptor

The VBI data descriptor (see table 104) shall be used in the PSI PMT of a stream which carries VBI data as defined in ETSI EN 301 775 [6]. The appropriate ES\_info\_field of the program map section describing a VBI data stream shall contain one and only one VBI\_data\_descriptor.

For transmission of multiple VBI data streams in one service a VBI data descriptor in each of the component loops of the program map section is required.

**Table 104: VBI\_data\_descriptor**

Syntax	Number of bits	Identifier
<pre>VBI_data_descriptor() {   descriptor_tag   descriptor_length   for (i=0; i&lt;N; i++) {     data_service_id     data_service_descriptor_length     if (data_service_id==0x01            data_service_id==0x02            data_service_id==0x04            data_service_id==0x05            data_service_id==0x06            data_service_id==0x07) {       for (i=0; i&lt;N; i++) {         reserved         field_parity         line_offset       }     } else {       for (i=0; i&lt;N; i++) {         reserved       }     }   } }</pre>	8	uimsbf
	8	uimsbf
	8	uimsbf
	8	uimsbf
	2	bslbf
	1	bslbf
	5	uimsbf
	8	bslbf

### Semantics for VBI data descriptor:

**data\_service\_id:** This 8-bit field identifies a VBI service type contained in the elementary stream to which the VBI\_data\_descriptor is associated. Its value is defined in table 105. For every VBI service contained in the VBI data stream there shall be one and only one data\_service\_id coded in the VBI\_data\_descriptor. However, a VBI service may temporarily not be present in the VBI data stream while its data\_service\_id still is present in the VBI\_data\_descriptor. This discrepancy may last no longer than 10 s.

**Table 105: data\_service\_id for VBI\_data\_descriptor**

data_service_id	Description
0x00	reserved for future use
0x01	EBU teletext (Requires additional teletext_descriptor)
0x02	inverted teletext
0x03	reserved
0x04	VPS
0x05	WSS
0x06	Closed Captioning
0x07	monochrome 4:2:2 samples
0x08 to 0xFF	reserved for future use

**data\_service\_descriptor\_length:** This 8-bit field counts the number of bytes immediately following this field used for the description of the service indicated by data\_service\_id.

The descriptor itself contains one entry (byte) for each VBI line on which the coded data of the associated stream is intended to be presented.

**field\_parity:** This 1-bit flag specifies the field for which the associated coded data is intended to be presented if it is transcoded into the VBI. The value "1" indicates the first (odd) field of a frame, the value "0" indicates the second (even) field of a frame. Within a data service descriptor, first all descriptor entries concerning the first field shall be given (if any), followed by all descriptor entries concerning the second field (if any).

**line\_offset:** This 5-bit field specifies the line number on which the associated coded data is intended to be presented if it is transcoded into the VBI. Within a field, the line\_offset numbering shall follow a progressive incremental order. The line\_offset parameter follows the definition of the associated data field type (see clauses 2.4 to 2.8 in ETSI EN 301 775 [6]). A line\_offset referred to as "line number undefined" shall not be used in the VBI\_data\_descriptor.

The encoder shall ensure that at least all coded lines in the associated elementary stream data will have their counterpart coded in the VBI\_data\_descriptor (and therefore in the appropriate data service descriptor). It is not allowed to code a specific line\_offset and field\_parity combination more than once in a single VBI\_data\_descriptor.

## 6.2.48 VBI teletext descriptor

The VBI teletext descriptor (see table 106) shall be used in the PSI PMT to identify streams which carry VBI data as well as EBU Teletext data. The descriptor is to be located in a program map section following the relevant ES\_info\_length field.

**Table 106: VBI teletext descriptor**

Syntax	Number of bits	Identifier
VBI_teletext_descriptor() {		
descriptor_tag	8	uimsbf
descriptor_length	8	uimsbf
for (i=0;i<N;i++) {		
ISO_639_language_code	24	bslbf
teletext_type	5	uimsbf
teletext_magazine_number	3	uimsbf
teletext_page_number	8	uimsbf
}		
}		

### Semantics for VBI teletext descriptor:

The semantics for the VBI teletext descriptor is the same as defined for the teletext descriptor in clause 6.2.42. The only exception is that the VBI teletext descriptor is not to be used to associate stream\_type 0x06 with the VBI standard nor the EBU teletext standard. Decoders can only use the languages in this descriptor to select magazines and subtitles.

## 6.3 Extended descriptor identification and location

All extended descriptors are based on the extension\_descriptor (see clause 6.2.16).

Table 107 lists the extended descriptors declared or defined within the present document, giving the descriptor tag extension values and the intended placement within the SI tables. This does not imply that their use in other tables is restricted.

**Table 107: Possible locations of extended descriptors**

Descriptor	Tag extension value	NIT	BAT	SDT	EIT	TOT	PMT	SIT (note)
image_icon_descriptor	0x00	*	*	*	*	-	-	*
cpcm_delivery_signalling_descriptor (ETSI TS/TR 102 825 [46] and [i.4])	0x01	-	-	*	*	-	-	-
CP_descriptor (ETSI TS/TR 102 825 [46] and [i.4])	0x02	-	-	-	-	-	*	-
CP_identifier_descriptor (ETSI TS/TR 102 825 [46] and [i.4])	0x03	*	*	*	*	-	-	-
T2_delivery_system_descriptor	0x04	*	-	-	-	-	-	-
SH_delivery_system_descriptor	0x05	*	-	-	-	-	-	-
supplementary_audio_descriptor	0x06	-	-	-	-	-	*	-
network_change_notify_descriptor	0x07	*	-	-	-	-	-	-
message_descriptor	0x08	*	*	*	*	-	-	-
target_region_descriptor	0x09	*	*	*	-	-	-	-
target_region_name_descriptor	0x0A	*	*	-	-	-	-	-
service_relocated_descriptor	0x0B	-	-	*	-	-	-	-
XAIT_PID_descriptor	0x0C	*	*	-	-	-	-	-
C2_delivery_system_descriptor	0x0D	*	-	-	-	-	-	-
DTS-HD_audio_stream_descriptor (annex G)	0x0E	-	-	-	-	-	*	-
DTS_Neural_descriptor (annex L)	0x0F	-	-	-	-	-	*	-
video_depth_range_descriptor	0x10	-	-	*	*	-	-	-
T2MI_descriptor	0x11	-	-	-	-	-	*	-
reserved for future use	0x12	-	-	-	-	-	-	-
URI_linkage_descriptor	0x13	*	*	*	*	-	*	*
CI_ancillary_data_descriptor ([i.10])	0x14	*	*	*	*	-	-	-
AC-4_descriptor (annex D)	0x15	-	-	-	-	-	*	-
C2_bundle_delivery_system_descriptor	0x16	*	-	-	-	-	-	-
reserved for future use	0x17 to 0x7F							
user defined	0x80 to 0xFF							

NOTE: Only found in Partial Transport Streams.

## 6.4 Extended descriptor coding

### 6.4.0 Introduction

Syntax and semantics of extended descriptors (in the style of clause 6.2) will be added here as extended descriptors are defined.

#### 6.4.1 CI ancillary data descriptor

The CI ancillary data descriptor (see table 108) is used to convey ancillary data used in the construction of Content Identifiers (CI) in companion screen applications, as are defined in [i.10].



Table 108: CI ancillary data descriptor

Syntax	Number of bits	Identifier
CI_ancillary_data_descriptor() { descriptor_tag descriptor_length descriptor_tag_extension for (i=0; i<N; i++) { ancillary_data_byte } }	8 8 8 8	uimsbf uimsbf uimsbf uimsbf

**Semantics for the CI ancillary data descriptor:**

**ancillary\_data\_byte:** This is an 8 bit field. The sequence of ancillary\_data\_byte fields specifies the ancillary data field. The syntax and semantics of the ancillary data field are defined by the companion screen applications specification [i.10].

## 6.4.2 CP descriptor

The content protection descriptor (see table 109) is used to specify both system-wide and specific content protection management information. When the CP descriptor is found in the PMT, the CP\_PID points to packets containing program related content protection information such as SRMs and content licence related information.

Table 109: CP descriptor

Syntax	Number of bits	Identifier
CP_descriptor() { descriptor_tag descriptor_length descriptor_tag_extension CP_system_id reserved CP_PID for (i=0; i<N; i++) { private_data_byte } }	8 8 8 16 3 13 8	uimsbf uimsbf uimsbf uimsbf bslbf uimsbf uimsbf

**Semantics for the CP descriptor:**

**CP\_system\_id:** This 16-bit field indicates the type of CP system applicable. Allocations of the value of this field are found in ETSI TS 101 162 [i.1].

**CP\_PID:** This 13-bit field indicates the PID of the Transport Stream packets which shall contain information for the CP systems as specified with the associated CP\_system\_id.

## 6.4.3 CP identifier descriptor

The CP identifier descriptor (see table 110) indicates whether a particular bouquet, service or event is associated with a content protection system or carries information relating to a content protection system (e.g. CP system metadata or CP system renewability messages). It identifies the CP system and the type of information by means of the CP\_system\_id.

Table 110: CP identifier descriptor

Syntax	Number of bits	Identifier
CP_identifier_descriptor() { descriptor_tag descriptor_length descriptor_tag_extension for (i=0; i<N; i++) { CP_system_id } }	8 8 8 16	uimsbf uimsbf uimsbf uimsbf

### Semantics for the CP identifier descriptor:

**CP\_system\_id:** This 16 bit field identifies the CP system and the type of information (e.g. Content Licence, Content metadata, System Renewability Messages, etc.). Allocations of the value of this field are found in ETSI TS 101 162 [i.1].

## 6.4.4 CPCM delivery signalling descriptor

The CPCM delivery signalling descriptor conveys Usage State Information (USI) for Content Protection/Copy Management (CPCM) systems. Its syntax and semantics are fully defined and described in part 9 of ETSI TS 102 825 [46].

## 6.4.5 Delivery system descriptors

### 6.4.5.1 C2 delivery system descriptor

The C2\_delivery\_system\_descriptor (see table 111) shall be used in the TS loop of the Network Information Table (NIT) to describe DVB-C2 transmissions according to [53]. This descriptor maps Transport Streams to data PLPs in data slices of C2 systems. The number of C2\_delivery\_system\_descriptors per NIT shall equal the number of Transport Streams in the network carried over DVB-C2.

Each TS loop of the NIT describing a TS which is conveyed within a C2 system, shall contain either a C2 delivery system descriptor, or one or more C2 bundle delivery system descriptors (see clause 6.4.5.4).

**Table 111: C2 delivery system descriptor**

Syntax	Number of bits	Identifier
C2_delivery_system_descriptor() {		
descriptor_tag	8	uimsbf
descriptor_length	8	uimsbf
descriptor_tag_extension	8	uimsbf
plp_id	8	uimsbf
data_slice_id	8	uimsbf
C2_System_tuning_frequency	32	bslbf
C2_System_tuning_frequency_type	2	uimsbf
active_OFDM_symbol_duration	3	bslbf
guard_interval	3	bslbf
}		

### Semantics for the C2 delivery system descriptor:

**plp\_id:** This 8-bit field uniquely identifies a data PLP within the C2 system. The term is defined in [53].

**data\_slice\_id:** This 8-bit field uniquely identifies a data slice within the C2 system. The term is defined in [53].

**C2\_System\_tuning\_frequency:** This 32-bit field indicates the frequency value in steps of 1 Hz that the receiver should tune to. The coding range is from minimum 0x00000001 (1 Hz) up to a maximum of 0xFFFFFFFF (4 294 967 295 Hz). This tuning frequency follows the syntax described in the C2\_tuning\_frequency\_type field.

**C2\_System\_tuning\_frequency\_type:** This 2-bit field indicates the tuning frequency type (see table 112). This differentiation is needed to address all specifics of the C2 transmit signal and the underlying Data Slice structure.

**Table 112: C2 tuning frequency type**

<b>C2_tuning_frequency_type</b>	<b>Description</b>
00	Data Slice tuning frequency  This is the default option for C2 systems. The C2_System_tuning_frequency field conveys the tuning frequency of the data slice to which plp_id refers. The C2_System_tuning_frequency for a particular Data Slice is the sum of the L1 signalling parameters START_FREQUENCY and the DSLICE_TUNE_POS. Note that the Data Slice tuning frequency information in the L1 signalling as well as in the C2_delivery_system_descriptor have to be updated synchronously.
01	C2 system centre frequency  This option is used by C2 headends that are not able to update the Data Slice tuning frequency information in the C2_delivery_system_descriptor and the L1 signalling in a synchronous way. The C2_System_tuning_frequency is the centre frequency of the C2 system, and it is required that a complete Preamble can be received. The receiver needs to evaluate the L1 signalling in the preamble to get knowledge of the final tuning position.
10	Initial tuning position for a (dependent) Static Data Slice  Signalling of this option implies that the Data Slice to be demodulated is a (dependent) Static Slice. In the case of tuning to a (dependent) Static Data Slice, it cannot be guaranteed that the receiver is able to decode the L1 signalling at its final tuning position. Therefore the receiver will first tune to the signalled initial C2_System_tuning_frequency where a complete Preamble is transmitted. This frequency will usually be the C2_System_centre_frequency, but can be any tuning position where the receiver can reliably decode the L1 signal. The receiver needs to evaluate the L1 signalling in the preamble in order to determine additional parameters (particularly notch positions) as well as the final tuning frequency of the (dependent) Static Data Slice.
11	Reserved for future use.

**Active OFDM symbol duration:** This 3 bit field indicates the duration of the active OFDM symbol according to table 113.

**Table 113: Signalling format for the active OFDM symbol duration**

<b>active_OFDM_symbol_duration</b>	<b>Description</b>
000	448 $\mu$ s (4k FFT mode for 8MHz CATV systems)
001	597,33 $\mu$ s (4k FFT mode for 6MHz CATV systems)
010 to 111	reserved for future use

**guard\_interval:** This 3-bit field indicates the guard interval according to table 114.

**Table 114: Signalling format for the guard interval**

<b>guard_interval</b>	<b>Guard interval values</b>
000	1/128
001	1/64
010 to 111	reserved for future use

### 6.4.5.2 SH delivery system descriptor

This descriptor (see table 115) is used to transmit the physical parameters for each DVB-SH [50] signal in the DVB network. This descriptor appears exactly once for each transport stream in each NIT sub\_table describing the network. This descriptor is made of static and a dynamic part based on a modulation loop.

**Table 115: SH delivery system descriptor**

Syntax	No. of bits	Identifier
SH_delivery_system_descriptor(){		
descriptor_tag	8	uimsbf
descriptor_length	8	uimsbf
descriptor_tag_extension	8	uimsbf
diversity_mode	4	bslbf
reserved	4	bslbf
for (i=0; i<N; i++){		
modulation_type	1	bslbf
interleaver_presence	1	bslbf
interleaver_type	1	bslbf
Reserved	5	bslbf
if (modulation_type == 0) {		
Polarization	2	bslbf
roll_off	2	bslbf
modulation_mode	2	bslbf
code_rate	4	bslbf
symbol_rate	5	bslbf
reserved	1	bslbf
} else {		
bandwidth	3	bslbf
priority	1	bslbf
constellation_and_hierarchy	3	bslbf
code_rate	4	bslbf
guard_interval	2	bslbf
transmission_mode	2	bslbf
common_frequency	1	bslbf
}		
if (interleaver_presence == 1) {		
if (interleaver_type == 0) {		
common_multiplier	6	uimsbf
nof_late_taps	6	uimsbf
nof_slices	6	uimsbf
slice_distance	8	uimsbf
non_late_increments	6	uimsbf
} else {		
common_multiplier	6	uimsbf
reserved	2	uimsbf
}		
}		
}		
}		

#### Semantics for the SH delivery system descriptor:

**diversity\_mode:** This 4-bit field describes the diversity modes and is coded according to table 116.

**Table 116: diversity\_mode tag**

diversity_mode	paTS	FEC diversity	FEC at phy	FEC at link
0000	no	no	no	no
0001 to 0111	reserved for future use			
1000	yes	no	no	no
1001 to 1100	reserved for future use			
1101	yes	yes	no	yes
1110	yes	yes	yes	no
1111	yes	yes	yes	yes

The modulation loop follows and has a number of iterations that depends on the selected SH configuration. For instance  $N = 1$  in SFN,  $N = 2$  in non-SFN.

**modulation\_type:** This 1-bit field indicates which modulation is being used according to table 117.

**Table 117: modulation\_type**

modulation_type	Description
0	TDM
1	OFDM

**interleaver\_presence:** This 1-bit flag indicates the use of an interleaver according to table 118.

**Table 118: interleaver\_presence flag**

interleaver_presence	Description
0	no interleaver info follows
1	an interleaver info follows

**interleaver\_type:** This 1-bit field indicates which interleaver is being used. Two options are possible:

- A complete\_interleaver describes the interleaver in the same manner as the TPS or signalling field.
- A short interleaver assumes that the interleaver is a uniform one and therefore gives the common\_multiplier only.

**polarization:** This 2-bit field indicates the polarization of the transmitted signal according to table 119.

**Table 119: polarization field**

polarization	Description
00	Linear - horizontal
01	Linear - vertical
10	Circular - left
11	Circular - right

**roll\_off:** This 2-bit field indicates the chosen roll-off factor according to table 120.

**Table 120: roll\_off**

roll_off	Description
00	$\alpha = 0.35$
01	$\alpha = 0.25$
10	$\alpha = 0.15$
11	reserved for future use

**modulation\_mode:** This 2-bit field indicates the chosen modulation according to table 121.

**Table 121: modulation\_mode**

modulation_mode	Description
00	QPSK
01	8PSK
10	16APSK
11	reserved for future use

**code\_rate:** This 4-bit field indicates the chosen code\_rate according to table 122.

**Table 122: code\_rate**

code_rate	Description
0000	1/5 standard
0001	2/9 standard
0010	1/4 standard
0011	2/7 standard
0100	1/3 standard
0101	1/3 complementary
0110	2/5 standard
0111	2/5 complementary
1000	1/2 standard
1001	1/2 complementary
1010	2/3 standard
1011	2/3 complementary
1100 to 1111	reserved for future use

**symbol\_rate:** This 5-bit field signals the TDM symbol rate expressed in Msymbols per second according to table 123. In case OFDM modulation is also used, the symbol\_rate shall also be compliant with the corresponding symbol rate table for single carrier TDM in [51] where the OFDM parameters (bandwidth and guard interval) and the TDM roll-off determine a TDM symbol rate.

**Table 123: TDM symbol\_rate**

symbol_rate	Equivalent bandwidth	Equivalent guard interval	Symbol Rate		
			roll_off = 0.15	roll_off = 0.25	roll_off = 0.35
00000	8	1/4	34/5	32/5	29/5
00001	8	1/8	62/9	56/9	52/9
00010	8	1/16	116/17	108/17	100/17
00011	8	1/32	224/33	208/33	64/11
00100	7	1/4	119/20	28/5	203/40
00101	7	1/8	217/36	49/9	91/18
00110	7	1/16	203/34	189/34	175/34
00111	7	1/32	196/33	182/33	56/11
01000	6	1/4	51/10	24/5	87/20
01001	6	1/8	31/6	14/3	13/3
01010	6	1/16	87/17	81/17	75/17
01011	6	1/32	56/11	52/11	48/11
01100	5	1/4	17/4	4/1	29/8
01101	5	1/8	155/36	35/9	65/18
01110	5	1/16	145/34	135/34	125/34
01111	5	1/32	140/33	130/33	40/11
10000	1.7	1/4	34/25	32/25	29/25
10001	1.7	1/8	62/45	56/45	52/45
10010	1.7	1/16	116/85	108/85	20/17
10011	1.7	1/32	224/165	208/165	64/55
010011 to 111111	reserved for future use				

**bandwidth:** This 3-bit field gives the OFDM bandwidth according to table 124.

**Table 124: bandwidth tag**

bandwidth	Description
000	8 MHz
001	7 MHz
010	6 MHz
011	5 MHz
100	1,7 MHz
101 to 111	Reserved

**priority:** This 1-bit field indicates the stream's hierarchical priority according to table 125. Its semantics depend on the chosen constellation\_and\_hierarchy value.

**Table 125: priority**

Constellation_and_hierarchy	priority	Meaning
000	0	N/A
001	1	No priority mode
010	0	LP
011	1	HP
100		

**constellation\_and\_hierarchy:** This 3-bit field indicates the stream constellation and hierarchy according to table 126.

**Table 126: constellation\_and\_hierarchy**

constellation_and_hierarchy	Description
000	QPSK
001	16-QAM non hierarchical
010	16-QAM hierarchical alpha = 1
011	16-QAM hierarchical alpha = 2
100	16-QAM hierarchical alpha = 3
101 to 111	reserved for future use

**code\_rate:** This 4-bit field indicates the current TS code rate according to table 122.

**guard\_interval:** This 2-bit field gives the chosen guard interval according to table 127.

**Table 127: guard\_interval**

guard_interval	Description
00	1/32
01	1/16
10	1/8
11	1/4

**transmission\_mode:** This 2-bit field indicates the transmission mode according to table 128.

**Table 128: transmission\_mode**

transmission_mode	Description
00	1k
01	2k
10	4k
11	8k

**common\_frequency:** This 1-bit field indicates whether the modulation is used over a common frequency. A value of zero denotes that this is not a common frequency. A value of one indicates that this is a common frequency.

**common\_multiplier:** This 6-bit field indicates the length increment in Interleaving Units between two consecutive taps of the physical interleaver belonging to the late tap part. The common\_multiplier is also used to compute the actual tap length increment in the non-late category.

**nof\_late\_taps:** This 6-bit field indicates the number of taps of the physical time interleaver that belong to the late tap part. Values vary from "0" to "48": "0" signals "no taps belong to the late tap part", "48" signals "48 taps belong to late tap part".

**nof\_slices:** This 6-bit field indicates the number of slices over which the physical time interleaver spans. Minimum value is 1, in which case all taps belong to the late tap part.

**slice\_distance:** This 8-bit field indicates in units of SH frames the distance between two consecutive slices of the physical time interleaver. Values vary from "1" to "63"; if taps are all in the late tap part, this value shall be set to "1".

**non\_late\_increment:** This 6-bit field indicates the length increment between two consecutive taps belonging to the same non-late slice of the physical interleaver. The actual length increment in Interleaving Units is computed by multiplying this field with the value of the common\_multiplier field.

### 6.4.5.3 T2 delivery system descriptor

The T2\_delivery\_system\_descriptor (see table 129) shall be used in the TS loop of the Network Information Table to describe DVB-T2 transmissions according to ETSI EN 302 755 [47]. This descriptor maps Transport Streams to data Physical Layer Pipes (data PLPs) and T2 systems. For each Transport Stream carried in a DVB-T2 system in the network, there shall be at least one T2\_delivery\_system\_descriptor in the corresponding transport stream loop of the respective NIT sub-table. The descriptor reflects a mapping of a TS - heading the NIT's TS loop - to a data PLP, whereby the T2\_system\_id field might occur multiple times, via multiple instances of the descriptor, because a particular combination of Transport Stream and data PLP may belong to different T2 systems. Within a network, several different Transport Streams may map to the same combination of T2\_system\_id and plp\_id of the data PLP, for example when the same T2 System is used throughout a network and in different geographical areas different Transport Streams are used and mapped to the same data PLP.

If this descriptor is present in the NIT, the following definitions apply:

- The transport\_stream\_id and original\_network\_id announced within the transport stream loop of the NIT identify the Transport Stream that is carried by the PLP/T2 system pair identified with plp\_id and T2\_system\_id in the descriptor.

NOTE 1: In the case of multiple PLPs in a T2 multiplex and in the presence of a common PLP, the corresponding TS is split into a data PLP, being referred to by the plp\_id, and a common PLP. A corresponding re-assembly operation of the data PLP and common PLP on the receiver side is performed to recover the TS to be output by the receiver.

**Table 129: T2 delivery system descriptor**

Syntax	Number of bits	Identifier
T2_delivery_system_descriptor() {		
descriptor_tag	8	uimsbf
descriptor_length	8	uimsbf
descriptor_tag_extension	8	uimsbf
plp_id	8	uimsbf
T2_system_id	16	uimsbf
if (descriptor_length > 4){		
SISO/MISO	2	bslbf
bandwidth	4	bslbf
reserved_future_use	2	bslbf
guard_interval	3	bslbf
transmission_mode	3	bslbf
other_frequency_flag	1	bslbf
tfs_flag	1	bslbf
for (i=0;i<N;i++){		
cell_id	16	uimsbf
if (tfs_flag == 1){		
frequency_loop_length	8	uimsbf
for (j=0;j<N;j++){		
centre_frequency	32	uimsbf
}		
}		
else{		
centre_frequency	32	uimsbf
}		
subcell_info_loop_length	8	uimsbf
for (k=0;k<N;k++){		
cell_id_extension	8	uimsbf
transposer_frequency	32	uimsbf
}		
}		
}		
}		



### Semantics for the T2 delivery system descriptor:

**plp\_id:** This 8-bit field identifies uniquely a PLP within the T2 system, identified with the T2\_system\_id. The term is defined in ETSI EN 302 755 [47].

**T2\_system\_id:** This 16-bit field identifies uniquely the T2 system within the DVB network (identified by network\_id). The term is defined in ETSI EN 302 755 [47].

The remaining part of this descriptor, immediately following the T2\_system\_id field, may be present at most once per T2 system, because the parameters are uniquely applicable to all Transport Streams carried over a particular T2 system. The presence or absence of that part can be derived from the descriptor length field. In the absence of the remaining part this length equals 0x04, otherwise a larger value applies.

**SISO/MISO:** This 2-bit field indicates the SISO/MISO mode according to table 130.

**Table 130: Signalling format for SISO/MISO mode**

SISO/MISO	Description
00	SISO
01	MISO
10	reserved for future use
11	reserved for future use

**bandwidth:** This 4-bit field indicates the bandwidth in use according to table 131.

**Table 131: Signalling format for the bandwidth**

Bandwidth	Bandwidth value
0000	8 MHz
0001	7 MHz
0010	6 MHz
0011	5 MHz
0100	10 MHz
0101	1,712 MHz
0110 to 1111	reserved for future use

**guard\_interval:** This 3-bit field indicates the guard interval according to table 132.

**Table 132: Signalling format for each of the guard interval values**

guard_interval	Guard interval values
000	1/32
001	1/16
010	1/8
011	1/4
100	1/128
101	19/128
110	19/256
111	reserved for future use

**transmission\_mode:** This 3-bit field indicates the FFT size of the signals transmitted within the associated cell according to table 133.

**Table 133: Signalling format for transmission mode/FFT size**

transmission_mode	Description
000	2k mode
001	8k mode
010	4k mode
011	1k mode
100	16k mode
101	32k mode
110 to 111	reserved for future use

**other\_frequency\_flag:** This 1-bit flag indicates whether other frequencies (non-TFS case) or other groups of frequencies (TFS case) are in use. The value 0 (zero) indicates that the set of frequencies (non-TFS case) or the set of groups of frequencies (TFS case) included in the descriptor is complete, whereas the value 1 (one) indicates that the set is incomplete.

**tfs\_flag:** This 1-bit flag indicates whether a TFS arrangement is in place or not. It shall be coded according to table 134.

**Table 134: Signalling format for the TFS arrangement**

tfs_flag	Description
0	No TFS arrangement in place
1	TFS arrangement in place

**cell\_id:** This 16-bit field uniquely identifies a cell, as defined in ETSI EN 302 755 [47].

NOTE 2: cell\_id = 0x0000 indicates that no cell\_id is assigned. In this case information for different cells can still be provided by means of multiple instances of the cell loop.

**frequency\_loop\_length:** This 8-bit field indicates the total length in bytes of the following loop that enumerates two to six centre frequencies belonging to the TFS arrangement associated with the named cell\_id and its parameters. This loop is present only in the case of a TFS arrangement in place, otherwise only a single frequency per cell will be provided with a single instance of the centre\_frequency parameter.

**centre\_frequency:** This 32-bit field indicates the frequency value in multiples of 10 Hz. The coding range is from minimum 10 Hz (0x00000001) up to a maximum of 42 949 672 950 Hz (0xFFFFFFFF).

**subcell\_info\_loop\_length:** This 8-bit field indicates the total length in bytes of the following loop that indicates the frequencies used in subcells.

**cell\_id\_extension:** This 8-bit field is used to identify a sub-cell within a cell.

**transposer\_frequency:** This 32-bit field indicates the centre frequency that is used by a transposer in the sub-cell indicated. It is encoded in the same way as the centre\_frequency field.

#### 6.4.5.4 C2 bundle delivery system descriptor

The C2\_bundle\_delivery\_system\_descriptor (see table 135) shall be used in the TS loop of the Network Information Table (NIT) to describe DVB-C2 transmissions according to [53] using channel bundling. This descriptor maps Transport Streams bundled within multiple data PLPs, data slices, and C2 systems. The C2\_bundle\_delivery\_system\_descriptor shall list the given parameters of all bundled PLPs which are required to reassemble the TS.

NOTE: Bundled PLPs may be transmitted via several C2 systems.

Each TS loop of the NIT describing a TS which is conveyed within a C2 system, shall contain either a C2 delivery system descriptor (see clause 6.4.5.1), or one or more C2 bundle delivery system descriptors. When multiple C2 bundle delivery system descriptors are present in the same TS loop of the NIT describing a TS, then the bundle is defined by the combination of the PLPs listed in all those descriptors.

**Table 135: C2 bundle delivery system descriptor**

Syntax	Number of bits	Identifier
C2_bundle_delivery_system_descriptor() {		
descriptor_tag	8	uimsbf
descriptor_length	8	uimsbf
descriptor_tag_extension	8	uimsbf
for (i=0;i<N;i++) {		
plp_id	8	uimsbf
data_slice_id	8	uimsbf
C2_system_tuning_frequency	32	bslbf
C2_system_tuning_frequency_type	2	uimsbf
active_OFDM_symbol_duration	3	bslbf
guard_interval	3	bslbf
master_channel	1	uimsbf
reserved_0_future_use	7	bslbf
}		
}		

**Semantics of the C2 bundle delivery system descriptor:**

**plp\_id:** This 8-bit field shall be coded according to clause 6.4.5.1.

**data\_slice\_id:** This 8-bit field shall be coded according to clause 6.4.5.1.

**C2\_System\_tuning\_frequency:** This 32-bit field shall be coded according to clause 6.4.5.1.

**C2\_System\_tuning\_frequency\_type:** This 2-bit field shall be coded according to clause 6.4.5.1.

**active\_OFDM\_symbol\_duration:** This 3 bit field shall be coded according to clause 6.4.5.1.

**guard\_interval:** This 3-bit field shall be coded according to clause 6.4.5.1.

**master\_channel:** This 1-bit field indicates whether the associated PLP is using the master clock for the generation of the ISSY time stamps. If the associated PLP uses the master clock for ISSY generation, this field shall be set to '1'. Otherwise this field shall be set to '0'.

**reserved\_0\_future\_use:** These bits are reserved for future use, and shall be set to zero.

## 6.4.6 Image icon descriptor

The image icon descriptor (see table 136) carries inline icon data or a URL that identifies the location of an icon file. It is intended to be used to carry or reference icons for two main purposes depending on where the icon is located:

- 1) When found in the Related Content Table (see ETSI TS 102 323 [13], clause 10) it shall be displayed as a call-to-action.
- 2) When found in the NIT, BAT, SDT, EIT or SIT it may be used within a receiver's native user interface and position information shall be omitted.

The resolution and size of the image may be specified within the image encoding itself and/or by the icon\_type field. This will be determined depending on local profile.

Table 136: Image Icon descriptor

Syntax	Number of bits	Identifier
image_icon_descriptor() {		
descriptor_tag	8	uimsbf
descriptor_length	8	uimsbf
descriptor_tag_extension	8	uimsbf
descriptor_number	4	uimsbf
last_descriptor_number	4	uimsbf
reserved_future_use	5	uimsbf
icon_id	3	uimsbf
if (descriptor_number == 0x00) {		
icon_transport_mode	2	uimsbf
position_flag	1	bslbf
if (position_flag == 0x01) {		
coordinate_system	3	uimsbf
reserved_future_use	2	bslbf
icon_horizontal_origin	12	uimsbf
icon_vertical_origin	12	uimsbf
}		
else {		
reserved_future_use	5	bslbf
}		
icon_type_length	8	uimsbf
for (i=0; i< icon_type_length; i++) {		
icon_type_char	8	uimsbf
}		
if (icon_transport_mode == 0x00 ) {		
icon_data_length	8	uimsbf
for (j=0; j<icon_data_length; j++) {		
icon_data_byte	8	uimsbf
}		
}		
else if (icon_transport_mode == 0x01 ) {		
url_length	8	uimsbf
for (k=0; k< url_length; k++) {		
url_char	8	uimsbf
}		
}		
}		
else {		
icon_data_length	8	uimsbf
for (m=0; m<icon_data_length; m++) {		
icon_data_byte	8	uimsbf
}		
}		
}		

#### Semantics for the image icon descriptor:

**descriptor\_number:** This 4-bit field gives the number of the descriptor. It is used to associate information which cannot be fitted into a single descriptor. The descriptor\_number of the first image\_icon\_descriptor of an associated set of image\_icon\_descriptors shall be "0x00". The descriptor\_number shall be incremented by 1 with each additional image\_icon\_descriptor with the same icon\_id in this sub\_table.

**last\_descriptor\_number:** This 4-bit field specifies the number of the last image\_icon\_descriptor (that is, the descriptor with the highest value of descriptor\_number) of the associated set of descriptors with the same icon\_id of which this descriptor is part.

**icon\_id:** This is a 3-bit field which identifies this icon as distinct from other icons delivered in the same descriptor loop. The scope of the id is restricted to the current descriptor loop. The icon\_id value of '000' shall not be used in this descriptor (see ETSI TS 102 323 [13]).

**icon\_transport\_mode:** This field indicates the mode of delivery of the icon as defined in table 137.

**Table 137: Icon transport mode**

Value	Meaning
0x00	The icon is delivered in the icon_data_bytes
0x01	The location of the icon file is identified by URL carried in the url_char sequence of bytes.
0x02 - 0x03	DVB reserved

**position\_flag:** This one bit field indicates whether on-screen position information is provided for the icon image. If this field is set to '1' then icon\_horizontal\_origin and icon\_vertical\_origin shall be used to position the icon on-screen. If this field is set to '0' the position is not specified.

NOTE 1: If video scaling has occurred prior to the compositing of the video and graphics plane then the intended relationship between the icon position and underlying video may not be maintained.

**coordinate\_system:** This field specifies the coordinate system on which the icon position is based. The value of this field is defined in table 138.

**Table 138: Coordinate system**

Value	Meaning
0x00	The coordinate system is 720x576
0x01	The coordinate system is 1280x720
0x02	The coordinate system is 1920x1080
0x03 to 0x06	DVB reserved
0x07	User Private

NOTE 2: If the coordinate system specified does not match the video resolution or display resolution then scaling of the icon position will be required. The mechanism for this is outside the scope of the present document.

**icon\_horizontal\_origin:** The horizontal pixel position on the screen to be used as icon origin (top-left). When this field is set to zero the left most column of pixels of the icon shall be positioned in the left most pixel column of the display.

**icon\_vertical\_origin:** The vertical pixel position on the screen to be used as icon origin (top-left). When this field is set to zero the upper most row of pixels of the icon shall be positioned in the upper most pixel row of the display.

**icon\_type\_length:** The length of the icon type string. If the type is not specified then this value shall be '0'.

**icon\_type\_char:** A sequence of bytes carrying a string describing the image type. This shall be a MIME image media subtype as described in IETF RFC 2045 [52]. The top level media type "image" may be omitted. If the image types PNG or JPEG are used then they shall conform to the restrictions defined in ETSI ES 201 812 [45], clause 15.

NOTE 3: It is expected that receivers will implement at least the PNG and JPEG image formats conforming to the restrictions defined in ETSI ES 201 812 [45], clause 15. Broadcasters are thus encouraged to restrict themselves to these formats.

EXAMPLE: For a PNG image the icon\_type\_char field would contain either image/png or, for short, /png.

**url\_length:** The length in bytes of the URL.

**url\_char:** A sequence of bytes carrying a URL which describes the location of an icon file. This field shall be encoded according to clause 6.2 of ETSI TS 102 323 [13]. The URL may be a DVB locator referencing a file in an object carousel, as specified in clause 6.4 of ETSI TS 102 323 [13] or a reference to an IP-based resource.

**icon\_data\_length:** The length in bytes of the icon data carried in the remainder of the descriptor.

## 6.4.7 Message descriptor

This descriptor (see table 139) allows broadcasters to provide receivers with a textual message which the receiver may display to the user at appropriate times (not defined here).

**Table 139: Message descriptor**

Syntax	Number of bits	Identifier
message_descriptor () {		
descriptor_tag	8	uimsbf
descriptor_length	8	uimsbf
descriptor_tag_extension	8	uimsbf
message_id	8	uimsbf
ISO_639_language_code	24	bslbf
for (j=0; j<N; j++) {		
text_char	8	uimsbf
}		
}		

**Semantics for the message descriptor:**

**message\_id:** This 8-bit field uniquely identifies the message within the scope of the subtable in which it appears. Note that multiple descriptors with the same message\_id shall not be broadcast unless they have differing ISO\_639\_language\_code values. The value of this field shall be in the range of 1 to 255.

**ISO\_639\_language\_code:** This 24-bit field contains the ISO 639-2 [42] three character language code of the language of the textual message. Both ISO 639-2/B and ISO 639-2/T may be used. Each character is coded into 8-bits according to ISO/IEC 8859-1 [23] and inserted in order into the 24-bit field.

**text\_char:** This is an 8-bit field containing a string of characters specifying the text to be displayed. Textual information is coded according to annex A.

## 6.4.8 Network change notify descriptor

This descriptor (see table 140) allows broadcasters to signal network change events to receivers. A network change event is a single, clearly identifiable change in the network configuration, e.g. transmission parameters and/or available services, which may require action on the part of receivers.

Network changes may be confined to a part of the network, as indicated by the use of the cell\_id field (used in DVB-T and DVB-T2 systems) or may apply to the whole network, as defined by the NIT.

Where used, the network\_change\_notify descriptor shall signal at all times the current list of scheduled network change events. The absence of a network\_change\_notify descriptor shall be used to indicate that there are no scheduled network change events.

**Table 140: Network\_change\_notify descriptor**

Syntax	Number of bits	Identifier
network_change_notify_descriptor () {		
descriptor_tag	8	uimsbf
descriptor_length	8	uimsbf
descriptor_tag_extension	8	uimsbf
for (i=0; i<N; i++) {		
cell_id	16	uimsbf
loop_length	8	uimsbf
for (j=0; j<N; j++) {		
network_change_id	8	uimsbf
network_change_version	8	uimsbf
start_time_of_change	40	bslbf
change_duration	24	uimsbf
receiver_category	3	uimsbf
invariant_ts_present	1	uimsbf
change_type	4	uimsbf
message_id	8	uimsbf
if (invariant_ts_present == 1) {		
invariant_ts_tsid	16	uimsbf
invariant_ts_onid	16	uimsbf
}		
}		
}		
}		

**Semantics for the network change notify descriptor:**

**cell\_id:** This 16-bit field uniquely identifies a cell within a DVB-T or DVB-T2 network (as defined by `network_id`). A `cell_id` of 0x0000 shall be used to signal a change affecting all `cell_ids`. Where multiple changes exist for a given `cell_id`, they shall be signalled in one instance of the descriptor. For other delivery systems, this field is not used and the network change applies to the network defined by the NIT carrying this descriptor.

**loop\_length:** This 8-bit field specifies the length in bytes of the following items.

**network\_change\_id:** This 8-bit field is a unique identifier for the network change event signalled within this cell. No inferences should be made from the incremental or other nature of the value of `network_change_id`.

**network\_change\_version:** This 8-bit field signals the version of the change. It shall be changed if any parameter within this loop is changed. Values shall be assigned incrementally until 0xFF. If further `network_change_versions` are required, a new `network_change_id` shall be issued.

**start\_time\_of\_change:** This 40-bit field indicates the time at which the network changes are planned to start in Universal Time, Co-ordinated (UTC) and Modified Julian Date (MJD) (see annex C). This field is coded as 16 bits giving the 16 LSBs of MJD followed by 24 bits coded as 6 digits in 4-bit BCD.

**change\_duration:** This 24-bit field indicates the planned duration of the network change in hours, minutes and seconds coded as 6 digits in 4-bit BCD. Durations signalled within this field shall be limited to a maximum of 11:59:59.

EXAMPLE: 01:45:30 is coded as "0x014530".

**receiver\_category:** This 3-bit field indicates the category of receivers affected by the change being signalled according to table 141.

**Table 141: Receiver category**

<b>receiver_category</b>	<b>Description</b>
0x0	All receivers
0x1	DVB-T2 or DVB-S2 or DVB-C2 capable receivers only
0x2 to 0x7	reserved for future use

**invariant\_ts\_present:** If this 1-bit field is set to '1', an invariant transport stream is being signalled. If set to '0', all multiplexes with this `cell_id` (for DVB-T or DVB-T2 systems) or within the network (for other delivery systems) should be considered as subject to change. An invariant transport stream is one which uses the same transmission parameters before and after the network changes (but not necessarily during the change).

**change\_type:** This 4-bit field specifies the type of change that will take place, as defined in table 142. Minor changes are defined as those changes which can be detected by a receiver by comparison of the old and new SI. Major changes are defined as those which could require a receiver to tune or scan away from the current multiplex.

The "default" category shall be used when another category does not adequately describe the current scenario, or when multiple categories would describe the current scenario. The "message only" category shall be used when there are no changes to the network but the broadcaster wishes to provide a message to be displayed by the receivers. The "coverage change" category shall be used when power and/or modulation parameter changes may change the coverage of a transmitter. It shall also be used when a cell or transmitter is being added or removed since this can also change the coverage. A "coverage change" may result in the receiver no longer receiving signals from the most appropriate cell or transmitter.

**Table 142: Network change type**

change_type	Description
0x0	Message only
0x1	Minor - default
0x2	Minor - multiplex removed
0x3	Minor - service changed
0x4 to 0x7	reserved for future use for other minor changes
0x8	Major - default
0x9	Major - multiplex frequency changed
0xA	Major - multiplex coverage changed
0xB	Major - multiplex added
0xC to 0xF	reserved for future use for other major changes

**message\_id:** This 8-bit field is used to link to a message in the message descriptor carried in the same NIT. A message\_id of 0x00 shall be used to signal that there is no message associated with this network change. Multiple network changes may be linked to a single message\_id.

**invariant\_ts\_tsid:** This 16-bit field contains the transport\_stream\_id of the invariant transport stream.

**invariant\_ts\_onid:** This 16-bit field contains the original\_network\_id of the invariant transport stream.

### 6.4.9 Service relocated descriptor

If a service has moved from one TS to another, a mechanism is provided which enables an IRD to track the service at its new location (for example between TSs) by means of a service\_relocated\_descriptor (see table 143).

NOTE: A new location for a service first of all implies new identifiers are being used. It does not necessarily imply that it has moved to a different physical location.

**Table 143: Service relocated descriptor**

Syntax	Number of bits	Identifier
service_relocated_descriptor(){		
descriptor_tag	8	uimsbf
descriptor_length	8	uimsbf
descriptor_tag_extension	8	uimbsf
old_original_network_id	16	uimsbf
old_transport_stream_id	16	uimsbf
old_service_id	16	uimsbf
}		

#### Semantics for the service relocated descriptor:

**old\_original\_network\_id:** This field contains the original\_network\_id of the TS in which the service was found before the relocation.

**old\_transport\_stream\_id:** This field contains the transport\_stream\_id of the TS in which the service was found before the relocation.

**old\_service\_id:** This field contains the service\_id of the service before the relocation.

### 6.4.10 Supplementary audio descriptor

The supplementary audio descriptor (see table 144) provides additional information about the associated audio component. Information from this and other descriptors allows the receiver to present the appropriate stream, or mix of streams, to the user. It shall be carried in the ES loop of the PSI PMT for each audio stream carrying supplementary services. It may also be carried in this position for audio streams carrying main audio. The use of the descriptor is described in more detail in annex J.



The `mix_type` field in this descriptor can be used to indicate if the audio stream is a "complete and independent" stream, or a dependent stream which is not complete and independent and is intended to be mixed with a separate audio stream by the receiver, this is known as "receiver-mix audio", see clause J.2. The `mix_type` is also used to indicate when an SAOC-DE parametric data stream is embedded into an existing audio stream or carried as a separate component, see clause J.5.

The `editorial_classification` field can be used to indicate the editorial use of the audio stream. This can be used to indicate which stream(s) are Main programme audio that are targeted at the majority of viewers. The `editorial_classification` field can also be used to indicate the use of additional audio streams such as those for audiences with visual and/or hearing impairments. Examples include spoken subtitles, audio description or speech audio without music and sounds effects.

For receivers that do not have the capability to mix a dependent stream with another audio stream, a broadcaster can pre-mix the audio and broadcast it as a "complete and independent" additional audio stream, this is known as "broadcast-mix audio", see clause J.3.

The supplementary audio descriptor can override the ISO 639 language code defined in the other descriptors in the same ES loop of the PMT, such as the `ISO_639_language_descriptor` [18]. This is commonly used where the language code in the other descriptors (such as the `ISO_639_language_descriptor`) is set to aid legacy receivers. In such cases the more accurate language code is conveyed in the supplementary audio descriptor.

This descriptor shall be carried in the ES loop of the PSI PMT for each audio stream carrying a dependent stream. It may also be carried in this position for any audio stream. If a service contains a dependent audio stream this descriptor should be present in the ES loop of the PSI PMT carrying the audio streams with which the dependent stream could be mixed. The use of the descriptor is described in more detail in annex J.

NOTE: This descriptor cannot currently be used to describe audio which contains multiple audio sub-streams on a single PID.

**Table 144: Supplementary audio descriptor**

Syntax	Number of bits	Identifier
<code>supplementary_audio_descriptor() {</code>		
<code>descriptor_tag</code>	8	uimbsf
<code>descriptor_length</code>	8	uimbsf
<code>descriptor_tag_extension</code>	8	uimbsf
<code>mix_type</code>	1	uimbsf
<code>editorial_classification</code>	5	uimbsf
<code>reserved_future_use</code>	1	uimbsf
<code>language_code_present</code>	1	uimbsf
<code>if (language_code_present == 1) {</code>		
<code>ISO_639_language_code</code>	24	bslbf
<code>}</code>		
<code>for (i=0;i&lt;N;i++) {</code>		
<code>private_data_byte</code>	8	uimbsf
<code>}</code>		
<code>}</code>		

#### Semantics for the supplementary audio descriptor:

**mix\_type:** This 1-bit field indicates whether the audio stream is a complete and independent stream or whether it is a dependent stream intended to be mixed with a separate complete and independent audio stream according to ETSI TS 101 154 [9] annex G. It shall be coded according to table 145.

**Table 145: mix\_type coding**

mix_type	Description
0	Audio stream is a dependent stream and is intended to be mixed or combined with a separate complete and independent audio stream by the receiver.
1	Audio stream is a complete and independent stream.
NOTE:	Restrictions on valid combinations of <code>audio_type</code> , <code>mix_type</code> , and <code>editorial_classification</code> are given in clause J.4.

**editorial\_classification:** This 5-bit field indicates the editorial intention of the audio stream according to table 146.

**Table 146: editorial\_classification coding**

editorial_classification	Description
0x00	Main audio (contains all of the main audio components and can be presented on its own or mixed with a supplementary audio stream). This classification shall not be used for broadcast-mix audio (see clause J.3) e.g. audio streams that are premixed with visual impaired or hearing impaired audio.
0x01	Audio description for the visually impaired (contains a spoken description of the visual content of the service).
0x02	Clean audio for the hearing impaired.
0x03	Spoken subtitles for the visually impaired.
0x04	Dependent parametric data stream (not embedded)
0x05 to 0x16	Reserved for future use.
0x17	Unspecific supplementary audio for the general audience
0x18 to 0x1F	User defined.
NOTE:	Restrictions on valid combinations of audio_type, mix_type, and editorial_classification are given in clause J.4.

**language\_code\_present:** When this field is set to 1 (one), it indicates that the ISO\_639\_language\_code field is present and this ISO 639 language code shall override other ISO 639 language code contained in other descriptors in the same ES loop of the PMT. When set to 0 (zero), no language code field follows, and the language of the audio stream shall be indicated by another descriptor in the same ES loop of the PMT.

**ISO\_639\_language\_code:** If present, this 24 bit field identifies the language, as defined by ISO 639, of the audio stream and overrides the value of any other ISO\_639\_language\_code contained in other descriptors in the same ES loop.

## 6.4.11 Target region descriptor

The target\_region\_descriptor (see table 147) identifies a set of target regions. The definition of a target region is given in clause 6.4.11. The set of target regions identified by the descriptor is the union of target region codes, identified by each loop in the descriptor, additionally qualified by the country\_code. If the loop is empty, then this descriptor identifies a single country, by means of the country\_code.

The target\_region\_descriptor is a scoping descriptor (see clause 6.5). The location of a particular instance of the target\_region\_descriptor defines the scope of the descriptor.

The scoping property is the set of target regions it identifies. The set of target regions identified at a particular scope is the union of the sets of target regions identified by all target region descriptors present at that scope in the same table.

The target\_region\_descriptor may appear:

- a) in the first loop of the NIT for all services within a network;
- b) in the TS loop of the NIT for all services within a transport stream of a network;
- c) in the first loop of the BAT for all services within a bouquet;
- d) in the TS loop of the BAT for all services within a transport stream of a bouquet;
- e) in the SDT for a single service within a transport stream.

Its use in other tables is not defined. This descriptor may appear multiple times in any descriptor loop of a table. The set of target regions defined in a descriptor loop of a table, is the union of the target regions defined by each target region descriptor.

The hierarchical level of the target region identified by a single loop of the target\_region\_descriptor depends on the value of the region\_depth field.

- If the region\_depth is 0, then the target\_region\_descriptor loop identifies a single country.

- If the value of the `region_depth` is 1, then the `target_region_descriptor` loop identifies a single primary region within a country.
- If the value of the `region_depth` is 2, then the `target_region_descriptor` loop identifies a single secondary region, within a primary region within a country.
- If the value of the `region_depth` is 3, the `target_region_descriptor` loop identifies a single tertiary region, within a secondary region within a primary region within a country.

**Table 147: target\_region\_descriptor**

Syntax	Number of bits	Identifier
<code>target_region_descriptor(){</code>		
<code>descriptor_tag</code>	8	uimsbf
<code>descriptor_length</code>	8	uimsbf
<code>descriptor_tag_extension</code>	8	uimsbf
<code>country_code</code>	24	bslbf
<code>for (i=0;i&lt;N;i++){</code>		
<code>reserved</code>	5	bslbf
<code>country_code_flag</code>	1	bslbf
<code>region_depth</code>	2	bslbf
<code>if (country_code_flag==1){</code>		
<code>country_code</code>	24	bslbf
<code>}</code>		
<code>if (region_depth&gt;=1){</code>		
<code>primary_region_code</code>	8	bslbf
<code>if (region_depth&gt;=2){</code>		
<code>secondary_region_code</code>	8	bslbf
<code>if (region_depth==3){</code>		
<code>tertiary_region_code</code>	16	bslbf
<code>}</code>		
<code>}</code>		
<code>}</code>		
<code>}</code>		

**Semantics for the target region descriptor:**

**country\_code:** This 24-bit field identifies the country using the 3-character code as specified in ISO 3166 [41]. Each character is coded into 8 bits according to ISO/IEC 8859-1 [23] and inserted in order into the 24-bit field. In the case that the 3 characters represent a number in the range of 900 to 999, then the country code specifies an ETSI defined group of countries. These allocations are defined in ETSI TS 101 162 [i.1].

EXAMPLE: United Kingdom has 3-character code "GBR", which is coded as:  
"0100 0111 0100 0010 0101 0010".

The country code can be signalled in two possible locations: the location outside the loop specifies the initial country code which applies until overridden by a `country_code` defined inside the loop. A `country_code` defined inside the loop applies to all following loops in the descriptor until overridden by another `country_code` defined inside a subsequent loop.

**country\_code\_flag:** This 1-bit field if set to one indicates a `country_code` is defined inside the loop. The country code applies to all following target regions in the descriptor until another country code is defined inside a subsequent loop.

**region\_depth:** This 2-bit field identifies the hierarchical depth of the target region described by this descriptor loop. The semantics of the `region_depth` field are:

- If the `region_depth` is 0 then the target region is the entire country identified by the current value of `country_code`.
- If the `region_depth` is 1 then the target region is a primary region, identified by the `primary_region_code` within the identified country.
- If the `region_depth` is 2 then the target region is a secondary region, identified by the combination of the `secondary_region_code` and `primary_region_code` within the identified country.

- If the `region_depth` is 3 then the target region is a tertiary region, identified by the combination of the `tertiary_region_code`, `secondary_region_code` and `primary_region_code` within the identified country.

**primary\_region\_code:** This 8-bit field identifies the target primary region within a country.

**secondary\_region\_code:** This 8-bit field identifies the target secondary region within a primary region within a country.

**tertiary\_region\_code:** This 16-bit field identifies the target tertiary region within a secondary region within a primary region within a country.

## 6.4.12 Target region name descriptor

A target region is a geographical area containing the intended audience of a broadcast. A target region can be either an entire country, or a geographical area within a country. A country may be subdivided into a set of primary regions and each primary region may be subdivided into a set of secondary regions and, finally, each secondary region may be subdivided into a set of tertiary regions. In general, target regions subdivide a country into a hierarchy of primary, secondary and tertiary regions.

The target region name descriptor (see table 148) assigns a name to a target region. The target region name may be represented in multiple languages. For a particular target region within a country, only one name per language code shall be signalled.

This descriptor may only be present in the first loop of the BAT or in the first loop of the NIT. Multiple instances of this descriptor are allowed. If the name of a target region is defined in both the BAT and the NIT, then the name of that region in the BAT takes precedence.

All target regions, identified by a target region descriptor in a NIT, BAT or SDT, shall be named by a target region name descriptor, defined in a NIT or a BAT. The hierarchical structure created may have variable depth. Broadcasters shall ensure an appropriate name is transmitted at each populated level and at all levels above them in the hierarchy.

**Table 148: target\_region\_name\_descriptor**

Syntax	Number of bits	Identifier
<code>target_region_name_descriptor(){</code>		
<code>descriptor_tag</code>	8	uimsbf
<code>descriptor_length</code>	8	uimsbf
<code>descriptor_tag_extension</code>	8	uimsbf
<code>country_code</code>	24	bslbf
<code>ISO_639_language_code</code>	24	bslbf
<code>for (i=0;i&lt;N;i++){</code>		
<code>region_depth</code>	2	bslbf
<code>region_name_length</code>	6	bslbf
<code>for (j=0;j&lt;M;j++){</code>		
<code>text_char</code>	8	uimsbf
<code>}</code>		
<code>primary_region_code</code>	8	bslbf
<code>if (region_depth &gt;=2){</code>		
<code>secondary_region_code</code>	8	bslbf
<code>if (region_depth==3){</code>		
<code>tertiary_region_code</code>	16	bslbf
<code>}</code>		
<code>}</code>		
<code>}</code>		

### Semantics for the target region name descriptor:

**country\_code:** This 24-bit field identifies a country using the 3-character code as specified in ISO 3166 [41]. Each character is coded into 8 bits according to ISO/IEC 8859-1 [23] and inserted in order into the 24-bit field. In the case that the 3 characters represent a number in the range of 900 to 999, then the country code specifies an ETSI defined group of countries. These allocations are defined in ETSI TS 101 162 [i.1].

EXAMPLE 1: United Kingdom has 3-character code "GBR", which is coded as: "0100 0111 0100 0010 0101 0010".

**ISO\_639\_language\_code:** This 24-bit field identifies the language of the component text description which may be contained in this descriptor. The ISO\_639\_language\_code contains a 3-character code as specified by ISO 639-2 [42]. Both ISO 639-2/B and ISO 639-2/T may be used. Each character is coded into 8 bits according to ISO/IEC 8859-1 [23] and inserted in order into the 24-bit field.

EXAMPLE 2: French has 3-character code "fre", which is coded as:  
"0110 0110 0111 0010 0110 0101"

**region\_depth:** This 2-bit field identifies the hierarchical depth of the target region described by this descriptor loop. The value 0 is reserved. The semantics of the region\_depth field are:

- If the region\_depth is 1 then the target region is a primary region, identified by the primary\_region\_code within the identified country.
- If the region\_depth is 2 then the target region is a secondary region, identified by the combination of the secondary\_region\_code and primary\_region\_code within the identified country.
- If the region\_depth is 3 then the target region is a tertiary region, identified by the combination of the tertiary\_region\_code, secondary\_region\_code and primary\_region\_code within the identified country.

**region\_name\_length:** This 6-bit field specifies the length in bytes of the string that provides the target region name.

**text\_char:** This is an 8-bit field. A string of text\_char fields specifies the target region name. Text information shall be coded using the character sets and methods described in annex A.

**primary\_region\_code:** This 8-bit field identifies the target primary region within a country.

**secondary\_region\_code:** This 8-bit field identifies the target secondary region within a primary region within a country.

**tertiary\_region\_code:** This 16-bit field identifies the target tertiary region within a secondary region within a primary region within a country.

### 6.4.13 T2-MI descriptor

The T2-MI descriptor (see table 149) may be used in the PSI PMT to identify each PID carrying a single stream of T2-MI [57] within a DVB transport stream.

**Table 149: T2MI\_descriptor**

Syntax	Number of bits	Identifier
T2MI_descriptor(){		
descriptor_tag	8	uimsbf
descriptor_length	8	uimsbf
descriptor_tag_extension	8	uimsbf
reserved_future_use (see note)	5	bslbf
t2mi_stream_id	3	uimsbf
reserved_future_use (see note)	5	bslbf
num_t2mi_streams_minus_one	3	uimsbf
reserved_future_use (see note)	7	bslbf
pcr_iscr_common_clock_flag	1	bslbf
for (i=0;i<N;i++){		
reserved_future_use (see note)	8	bslbf
}		
}		
NOTE:	The reserved_future_use fields defined above have all their bits set to a value of '0'.	

#### Semantics for the T2-MI descriptor:

**t2mi\_stream\_id:** Identifies the different T2-MI streams in a unique way. This field shall have the same value as the t2mi\_stream\_id field in the header of the T2-MI packets [57].

**num\_t2mi\_streams\_minus\_one:** The total number of T2-MI streams required to generate the complete DVB-T2 signal. This shall have the same value for all T2-MI streams that make up a composite signal.

EXAMPLE 1: Where only one T2-MI stream is required by a modulator to generate a complete signal, the field has a value of '0'.

EXAMPLE 2: Where a T2 composite signal is being generated that requires two T2-MI streams to make the complete signal, the field has a value of '1'.

**pcr\_iscr\_common\_clock\_flag:** A value of '1' indicates that the PCRs signalled in the PMT of the service carrying the T2-MI and the ISCRs (Input Stream Time References) in the T2 Baseband Frame packets are generated from a common clock source (see annex G of [57]).

**reserved\_future\_use:** These bits are reserved for future use, and they shall be set to value of '0'.

## 6.4.14 URI linkage descriptor

The URI linkage descriptor (see table 150) identifies a resource obtainable via an IP network. The usage of the resource identified in this way will depend upon both the location of this descriptor and the linkage type signalled in the descriptor.

**Table 150: URI\_linkage\_descriptor**

Syntax	Number of bits	Identifier
URI_linkage_descriptor(){ descriptor_tag descriptor_length descriptor_tag_extension uri_linkage_type uri_length for (i=0;i<uri_length;i++) { uri_char } if ( (uri_linkage_type == 0x00)    (uri_linkage_type == 0x01) ) { min_polling_interval } for (i=0;i<N;i++) { private_data_byte } }	8 8 8 8 8 8 16 8	uimsbf uimsbf uimsbf uimsbf uimsbf bslbf uimsbf bslbf

### Semantics for the URI linkage descriptor:

**uri\_linkage\_type:** This is an 8-bit field specifying the type of URI linkage e.g. to information. It shall be encoded according to table 151.

**Table 151: URI linkage type coding**

uri_linkage_type	Description
0x00	Online SDT (OSDT) for DVB-CI Plus [i.9]
0x01	DVB-IPTV SD&S [60]
0x02	Material Resolution Server (MRS) for companion screen applications [i.10]
0x03 to 0x7F	reserved for future use
0x80 to 0xFF	user defined

**uri\_length:** This is an 8-bit field specifying the length of the following URI field.

**uri\_char:** This is an 8-bit field. A string of uri\_char fields specifies a URI string as defined in IETF RFC 3986 [59].

**min\_polling\_interval:** This is a 16-bit field. The value of this field shall be the minimum time in intervals of two seconds between requests made by the receiver to this URI. A value of zero means that no minimum interval is implied. In this case receivers should choose a sensible default (for example a random value) or use a value defined by means outside of the scope of the present document (for example a value specified by local profile or platform).

EXAMPLE 1: An interval of 10 minutes would be encoded as 300 (0x012C) since 300 intervals of 2 seconds each sum up to 600 seconds, which is equal to 10 minutes.

EXAMPLE 2: An interval of 24 hours would be encoded as 43 200 (0xA8C0) since 43 200 intervals of two seconds each sum up to 86 400 seconds, which equals 24 hours.

EXAMPLE 3: When the maximum value of 65 535 (0xFFFF) is encoded, the minimum interval is 131 070 seconds, which equals 36 hours, 24 minutes, and 30 seconds.

**private\_data\_byte:** This is an 8-bit field, the value of which is privately defined.

## 6.4.15 Video depth range descriptor

### 6.4.15.0 Semantics and syntax of the video depth range descriptor

To assist receivers in optimizing the placement of graphics, like text or icons, they wish to display on top of plano-stereoscopic 3D video, the `video_depth_range_descriptor` (see table 152) indicates the intended depth range of the 3D video.

The `video_depth_range_descriptor` is a scoping descriptor (see clause 6.5). The location of a particular instance of the `video_depth_range_descriptor` defines the scope of the descriptor. If this descriptor occurs multiple times in a descriptor loop, then a particular `range_type` shall be present in only one instance of the `video_depth_range_descriptor`.

**Table 152: video\_depth\_range\_descriptor**

Syntax	Number of bits	Identifier
<code>video_depth_range_descriptor(){</code>		
<code>descriptor_tag</code>	8	uimsbf
<code>descriptor_length</code>	8	uimsbf
<code>descriptor_tag_extension</code>	8	uimsbf
for (i=0;i<N;i++) {		
<code>range_type</code>	8	uimsbf
<code>range_length</code>	8	uimsbf
if (range_type == 0) {		
<code>production_disparity_hint_info()</code>		
} else if (range_type == 1) {		
/* empty */		
} else {		
for (i=0;i<range_length;i++) {		
<code>range_selector_byte</code>	8	bslbf
}		
}		
}		
}		

#### Semantics for the video depth range descriptor:

**range\_type:** This 8-bit field indicates the type of depth range described in this descriptor. It shall be coded according to table 153. A particular `range_type` shall occur in only one loop of this descriptor.

**Table 153: range\_type coding**

range_type	Description
0x00	production disparity hint
0x01	multi-region disparity SEI present
0x02 to 0xFF	reserved for future use

If the `range_type` is set to 0x01, it indicates the presence of multi-region disparity SEI data in the video elementary stream as defined in annex B.11 of ETSI TS 101 154 [9]. In this case, `range_length` shall be set to zero.

**range\_length:** This 8-bit field indicates the number of bytes following this field up to, but not including either the next range\_type field or the end of the descriptor.

**production\_disparity\_hint\_info():** This field shall be coded according to clause 6.4.15.1.

**range\_selector\_byte:** For the purpose of application selection, the range\_selector\_byte(s) are used. The definition of the range\_selector\_byte(s) of the video\_depth\_range\_descriptor will depend on the range\_type.

### 6.4.15.1 Production disparity hint

When used, the disparity\_hint\_info() conveys the recommended maximum and minimum disparity values as per the broadcaster's production guidelines used in the creation of the plano-stereoscopic 3DTV content, or accordingly modified by the broadcaster previous to transmission. Most of the content is expected to be most of the time within these disparity values, which shall be coded according to table 154. Disparity refers to the difference between the horizontal positions of a pixel in the left and right view that represents the same point in space. A positive value, right minus left, refers to a point away from the viewer and a negative value is one closer to the viewer.

**Table 154: production\_disparity\_hint\_info**

Syntax	Number of bits	Identifier
production_disparity_hint_info(){ video_max_disparity_hint video_min_disparity_hint }	12 12	tcimsbf tcimsbf

#### Semantics for the production disparity hint info:

**video\_max\_disparity\_hint:** This 12-bit field identifies the intended largest disparity according to the current production guidelines, which corresponds to an object at infinity, away from the viewer. If infinity disparity is unknown, then the disparity of the "furthest away object" should be given. This disparity is relative to a screen with a horizontal size of 11 520 pixels.

**video\_min\_disparity\_hint:** This 12-bit field identifies the intended smallest disparity according to the current production guidelines, which corresponds to an object closest by the viewer. This disparity is relative to a screen with a horizontal size of 11 520 pixels.

## 6.5 Scoping rules for scoping descriptors

The information conveyed in some descriptors has a wider scope than the context in which the descriptor appears. Such descriptors are called scoping descriptors and the rules for their use are set forth in this clause.

The location of a particular instance of a Scoping Descriptor defines the scope over which the scoping properties shall apply. These properties shall apply to all entities (e.g. services or events) within this scope unless overridden at a scope of greater precedence.

The Scoping Descriptor that holds for entities that fall outside of the scope of all explicit signalling is not defined by the present document.

In increasing precedence order, the descriptor loops where a Scoping Descriptor may appear, if allowed by the type of scoping descriptor, are:

- 1) NIT first loop (lowest precedence)
- 2) BAT first loop
- 3) NIT TS loop
- 4) BAT TS loop
- 5) SDT
- 6) EIT (highest precedence)



## 7 Storage Media Interoperability (SMI) measures

### 7.0 Introduction

IEC 61883 [38] describes methods for delivering TS over the IEEE™ 1394.1 [39] to receivers. One likely source for this data is a digital storage device.

In certain cases TSs can be "incomplete", thus not conforming to the normal broadcast specifications. These "partial" TSs represent a subset of the data streams in the original TS. They may also be "discontinuous" - that is there may be changes in the TS or the subset of the TS presented and there may be temporal discontinuities. This clause on Storage Media Interoperability (SMI) describes the SI and PSI required in the delivered data in these cases.

### 7.1 SMI tables

#### 7.1.0 General principles

The SMI tables are encoded using the private section syntax defined in ISO/IEC 13818-1 [18]. The SIT may be up to 4 096 bytes long.

The bitstream presented at a digital interface shall either be a "complete" TS conforming to ETSI TS 101 154 [9] and with SI conforming to the present document or it shall be "partial" TS. In the latter case the SI and PSI shall conform to the following clauses.

A "partial" TS shall not carry any SI tables other than the Selection Information Table (SIT) and Discontinuity Information Table (DIT) described in clause 7.1.1 and 7.1.2 respectively. The PSI shall be restricted to the PAT and PMT instances required to correctly describe the streams within the "partial" TS.

The presence of the SIT in a bitstream identifies the bitstream as a "partial" TS coming from a digital interface. In this case the receiver should not expect the SI information required in a broadcast TS and should instead rely on that carried by the SIT.

The SIT contains a summary of all relevant SI information contained in the broadcast stream. The DIT shall be inserted at transition points where SI information is discontinuous. The use of the SIT and DIT is restricted to partial TSs, they shall not be used in broadcasts.

#### 7.1.1 Discontinuity Information Table (DIT)

The DIT (see table 155) is to be inserted at transition points at which SI information may be discontinuous.

**Table 155: Discontinuity information section**

Syntax	Number of bits	Identifier
discontinuity_information_section(){		
table_id	8	uimsbf
section_syntax_indicator	1	bslbf
reserved_future_use	1	bslbf
reserved	2	bslbf
section_length	12	uimsbf
transition_flag	1	uimsbf
reserved_future_use	7	bslbf
}		

#### Semantics for the selection information section:

**table\_id:** See table 2.

**section\_syntax\_indicator:** The section\_syntax\_indicator is a 1 bit field which shall be set to "0".

**section\_length:** This is a 12 bit field, which is set to 0x001.

**transition\_flag:** This 1 bit flag indicates the kind of transition in the TS. When the bit is set to "1", it indicates that the transition is due to a change of the originating source. The change of the originating source can be a change of originating TS and/or a change of the position in the TS (e.g. in case of time-shift). When the bit is set to "0", it indicates that the transition is due to a change of the selection only, i.e. while staying within the same originating TS at the same position.

## 7.1.2 Selection Information Table (SIT)

The SIT describes the service(s) and event(s) carried by the "partial" TS. SIT sections shall be coded according to table 156.

**Table 156: Selection information section**

Syntax	Number of bits	Identifier
<code>selection_information_section(){</code>		
<code>table_id</code>	8	uimsbf
<code>section_syntax_indicator</code>	1	bslbf
<code>DVB_reserved_future_use</code>	1	bslbf
<code>ISO_reserved</code>	2	bslbf
<code>section_length</code>	12	uimsbf
<code>DVB_reserved_future_use</code>	16	uimsbf
<code>ISO_reserved</code>	2	bslbf
<code>version_number</code>	5	uimsbf
<code>current_next_indicator</code>	1	bslbf
<code>section_number</code>	8	uimsbf
<code>last_section_number</code>	8	uimsbf
<code>DVB_reserved_for_future_use</code>	4	uimsbf
<code>transmission_info_loop_length</code>	12	bslbf
<code>for(i =0;i&lt;N;i++) {</code>		
<code>descriptor()</code>		
<code>}</code>		
<code>for(i=0;i&lt;N;i++){</code>		
<code>service_id</code>	16	uimsbf
<code>DVB_reserved_future_use</code>	1	uimsbf
<code>running_status</code>	3	bslbf
<code>service_loop_length</code>	12	bslbf
<code>for(j=0;j&lt;N;j++){</code>		
<code>descriptor()</code>		
<code>}</code>		
<code>}</code>		
<code>CRC_32</code>	32	rpchof
<code>}</code>		

### Semantics for the selection information section:

**table\_id:** See table 2.

**section\_syntax\_indicator:** The `section_syntax_indicator` is a 1 bit field which shall be set to "1".

**section\_length:** This is a 12-bit field, the first two bits of which shall be "00". It specifies the number of bytes of the section, starting immediately following the `section_length` field and including the CRC. The `section_length` shall not exceed 4 093 so that the entire section has a maximum length of 4 096 bytes.

**version\_number:** This 5-bit field is the version number of the table. The `version_number` shall be incremented by 1 when a change in the information carried within the table occurs. When it reaches value 31, it wraps around to 0. When the `current_next_indicator` is set to "1", then the `version_number` shall be that of the currently applicable table. When the `current_next_indicator` is set to "0", then the `version_number` shall be that of the next applicable table.

**current\_next\_indicator:** This 1 bit indicator, when set to "1" indicates that the table is the currently applicable table. When the bit is set to "0", it indicates that the table sent is not yet applicable and shall be the next table to be valid.

**section\_number:** This 8 bit field gives the number of the section. The `section_number` shall be 0x00.

**last\_section\_number:** This 8 bit field specifies the number of the last section. The `last_section_number` shall be 0x00.

**transmission\_info\_loop\_length:** This 12 bit field gives the total length in bytes of the following descriptor loop describing the transmission parameters of the partial TS.

**service\_id:** This is a 16 bit field which serves as a label to identify this service from any other service within a TS. The service\_id is the same as the program\_number in the corresponding program\_map\_section.

**running\_status:** This 3 bit field indicates the running status of the event in the original stream. This is the running status of the original present event. If no present event exists in the original stream the status is considered as "not running". The meaning of the running\_status value is as defined in ETSI TS 101 211 [i.2].

**service\_loop\_length:** This 12 bit field gives the total length in bytes of the following descriptor loop containing SI related information on the service and event contained in the partial TS.

**CRC\_32:** This is a 32 bit field that contains the CRC value that gives a zero output of the registers in the decoder defined in annex B of ISO/IEC 13818-1 [18] after processing the entire section.

## 7.2 SMI descriptors

### 7.2.0 Introduction

This section contains syntax and semantics for descriptors exclusively found in partial TSs.

#### 7.2.1 Partial Transport Stream (TS) descriptor

The transmission information descriptor loop of the SIT contains all the information required for controlling and managing the play-out and copying of partial TSs. The partial transport stream descriptor (see table 157) is proposed to describe this information.

**Table 157: Partial Transport Stream (TS) descriptor**

Syntax	Number of bits	Identifier
partial_transport_stream_descriptor() {		
descriptor_tag	8	bslbf
descriptor_length	8	uimsbf
DVB_reserved_future_use	2	bslbf
peak_rate	22	uimsbf
DVB_reserved_future_use	2	bslbf
minimum_overall_smoothing_rate	22	uimsbf
DVB_reserved_future_use	2	bslbf
maximum_overall_smoothing_buffer	14	uimsbf
}		

#### Semantics for the partial TS descriptor:

**peak\_rate:** The maximum momentary transport packet rate (i.e. 188 bytes divided by the time interval between start times of two succeeding TS packets). At least an upper bound for this peak\_rate should be given. This 22-bit field is coded as a positive integer in units of 400 bit/s.

**minimum\_overall\_smoothing\_rate:** Minimum smoothing buffer leak rate for the overall TS (all packets are covered). This 22-bit field is coded as a positive integer in units of 400 bit/s. The value 0x3FFFFFF is used to indicate that the minimum smoothing rate is undefined.

**maximum\_overall\_smoothing\_buffer:** Maximum smoothing buffer size for the overall TS (all packets are covered). This 14-bit field is coded as a positive integer in units of 1 byte. The value 0x3FFF is used to indicate that the maximum smoothing buffer size is undefined.

# Annex A (normative): Coding of text characters

## A.0 General principles

Text items can optionally include information to select a wide range of character tables as indicated below.

If no character selection information is given in a text item, then the default character coding table (table 00 - Latin alphabet) of figure A.1 is assumed.

## A.1 Control codes

For one-byte character tables, the codes in the range 0x80 to 0x9F are assigned to control functions as shown in table A.1.

**Table A.1: Single byte control codes**

Control code	UTF-8 Encoded Control code	Description
0x80 to 0x85	0xC2 0x80 to 0xC2 0x85	reserved for future use
0x86	0xC2 0x86	character emphasis on
0x87	0xC2 0x87	character emphasis off
0x88 to 0x89	0xC2 0x88 to 0xC2 0x89	reserved for future use
0x8A	0xC2 0x8A	CR/LF
0x8B to 0x9F	0xC2 0x8B to 0xC2 0x9F	user defined

For two-byte character tables, the codes in the range 0xE080 to 0xE09F are assigned to control functions as shown in table A.2.

**Table A.2: DVB codes within private use area of ISO/IEC 10646 [16]**

Control code	UTF-8 Encoded Control code	Description
0xE080 to 0xE085	0xEE 0x82 0x80 to 0xEE 0x82 0x85	reserved for future use
0xE086	0xEE 0x82 0x86	character emphasis on
0xE087	0xEE 0x82 0x87	character emphasis off
0xE088 to 0xE089	0xEE 0x82 0x88 to 0xEE 0x82 0x89	reserved for future use
0xE08A	0xEE 0x82 0x8A	CR/LF
0xE08B to 0xE09F	0xEE 0x82 0x8B to 0xEE 0x82 0x9F	reserved for future use

## A.2 Selection of character table

Text fields can optionally start with non-spacing, non-displayed data which specifies the alternative character table to be used for the remainder of the text item.

If the first byte of the text field has a value in the range "0x20" to "0xFF" then this and all subsequent bytes in the text item are coded using the default character coding table (table 00 - Latin alphabet) of figure A.1.

The selection of character table is indicated in table A.3.

**Table A.3: Character coding tables**

First byte value	Character code table	Table description	Reproduced in figure
0x01	ISO/IEC 8859-5 [27]	Latin/Cyrillic alphabet	A.2
0x02	ISO/IEC 8859-6 [28]	Latin/Arabic alphabet	A.3
0x03	ISO/IEC 8859-7 [29]	Latin/Greek alphabet	A.4
0x04	ISO/IEC 8859-8 [30]	Latin/Hebrew alphabet	A.5
0x05	ISO/IEC 8859-9 [31]	Latin alphabet No. 5	A.6
0x06	ISO/IEC 8859-10 [32]	Latin alphabet No. 6	A.7

First byte value	Character code table	Table description	Reproduced in figure
0x07	ISO/IEC 8859-11 [33]	Latin/Thai (draft only)	A.8
0x08	reserved for future use (see note)		
0x09	ISO/IEC 8859-13 [34]	Latin alphabet No. 7	A.9
0x0A	ISO/IEC 8859-14 [35]	Latin alphabet No. 8 (Celtic)	A.10
0x0B	ISO/IEC 8859-15 [36]	Latin alphabet No. 9	A.11
0x0C to 0x0F	reserved for future use		
0x10	ISO/IEC 8859	See table A.4	
0x11	ISO/IEC 10646 [16]	Basic Multilingual Plane (BMP)	
0x12	KSX1001-2004 [44]	Korean Character Set	
0x13	GB-2312-1980 [58]	Simplified Chinese Character	
0x14	Big5 subset of ISO/IEC 10646 [16]	Traditional Chinese	
0x15	UTF-8 encoding of ISO/IEC 10646 [16]	Basic Multilingual Plane (BMP)	
0x16 to 0x1E	reserved for future use		
0x1F	Described by encoding_type_id	Described by 8 bit encoding_type_id conveyed in second byte of the string	

NOTE: The first byte value 0x08 was previously reserved for ISO/IEC 8859-12 which should have covered the Devanagiri script. ISO/IEC however never published part 12 of the ISO/IEC 8859 series (see [http://en.wikipedia.org/wiki/ISO/IEC\\_8859-12](http://en.wikipedia.org/wiki/ISO/IEC_8859-12)). Applications of the present document for the scripts used by South-Asian languages should use the BMP of ISO/IEC 10646 [16], where appropriate glyphs are provided.

If the first byte of the text field has value "0x1F" then the following byte carries an 8-bit value (uimsbf) containing the encoding\_type\_id. This value indicates the encoding scheme of the string. Allocations of the value of this field are found in ETSI TS 101 162 [i.1].

If the first byte of the text field has a value "0x10" then the following two bytes carry a 16-bit value (uimsbf) N to indicate that the remaining data of the text field is coded using the character code table specified in table A.4.

**Table A.4: Character Coding Tables for first byte 0x10**

First byte value	Second byte value	Third Byte Value	Selected character code table	Table description	Reproduced in figure
0x10	0x00	0x00	reserved for future use		
0x10	0x00	0x01	ISO/IEC 8859-1 [23]	West European	
0x10	0x00	0x02	ISO/IEC 8859-2 [24]	East European	
0x10	0x00	0x03	ISO/IEC 8859-3 [25]	South European	
0x10	0x00	0x04	ISO/IEC 8859-4 [26]	North and North-East European	
0x10	0x00	0x05	ISO/IEC 8859-5 [27]	Latin/Cyrillic	A.2
0x10	0x00	0x06	ISO/IEC 8859-6 [28]	Latin/Arabic	A.3
0x10	0x00	0x07	ISO/IEC 8859-7 [29]	Latin/Greek	A.4
0x10	0x00	0x08	ISO/IEC 8859-8 [30]	Latin/Hebrew	A.5
0x10	0x00	0x09	ISO/IEC 8859-9 [31]	West European & Turkish	A.6
0x10	0x00	0x0A	ISO/IEC 8859-10 [32]	North European	A.7
0x10	0x00	0x0B	ISO/IEC 8859-11 [33]	Thai	A.8
0x10	0x00	0x0C		Reserved for future use	
0x10	0x00	0x0D	ISO/IEC 8859-13 [34]	Baltic	A.9
0x10	0x00	0x0E	ISO/IEC 8859-14 [35]	Celtic	A.10
0x10	0x00	0x0F	ISO/IEC 8859-15 [36]	West European	A.11
0x10	0x00	0x10 to 0xFF	reserved for future use		
0x10	0x01 to 0xFF	0x00 to 0xFF	reserved for future use		

The figures A.1 through A.11 below use the following conventions:

- Colour coding is used to indicate the general glyph category:

Colour	Description
light orange	letters of the Latin alphabet which are compatible with 7-bit US-ASCII encoding
light red	numbers of the Latin alphabet which are compatible with 7-bit US-ASCII encoding
light blue	marks, punctuation, symbols, and separators
light pink	non-spacing symbols (diacritical marks)
light green	region-specific alphabet symbols

- Non-printing characters use the following mnemonics:

Mnemonic	Description
SPC	space
NBSP	no-break space
SHY	soft hyphen
LRM	left-to-right mark
RLM	right-to-left mark

		Second Nibble															
		-0	-1	-2	-3	-4	-5	-6	-7	-8	-9	-A	-B	-C	-D	-E	-F
F i r s t  N i b b l e	0-																
	1-																
	2-	SPC 0020	! 0021	" 0022	# 0023	\$ 0024	% 0025	& 0026	' 0027	( 0028	) 0029	* 002A	+ 002B	, 002C	- 002D	. 002E	/ 002F
	3-	0 0030	1 0031	2 0032	3 0033	4 0034	5 0035	6 0036	7 0037	8 0038	9 0039	: 003A	; 003B	< 003C	= 003D	> 003E	? 003F
	4-	@ 0040	A 0041	B 0042	C 0043	D 0044	E 0045	F 0046	G 0047	H 0048	I 0049	J 004A	K 004B	L 004C	M 004D	N 004E	O 004F
	5-	P 0050	Q 0051	R 0052	S 0053	T 0054	U 0055	V 0056	W 0057	X 0058	Y 0059	Z 005A	[ 005B	\ 005C	] 005D	^ 005E	_ 005F
	6-	` 0060	a 0061	b 0062	c 0063	d 0064	e 0065	f 0066	g 0067	h 0068	i 0069	j 006A	k 006B	l 006C	m 006D	n 006E	o 006F
	7-	p 0070	q 0071	r 0072	s 0073	t 0074	u 0075	v 0076	w 0077	x 0078	y 0079	z 007A	{ 007B	 007C	} 007D	~ 007E	
	8-																
	9-																
	A-	NBSP 00A0	ı 00A1	ç 00A2	£ 00A3	€ 20AC	¥ 00A5		§ 00A7	¤ 00A4	' 2018	" 201C	« 00AB	← 2190	↑ 2191	→ 2192	↓ 2193
	B-	° 00B0	± 00B1	² 00B2	³ 00B3	× 00D7	μ 00B5	¶ 00B6	· 00B7	÷ 00F7	' 2019	" 201D	» 00BB	¼ 00BC	½ 00BD	¾ 00BE	¿ 00BF
	C-		ˆ 0300	˜ 0301	˘ 0302	˙ 0303	˚ 0304	˛ 0306	˜ 0307	˝ 0308		ˆ 030A	˜ 0327		˘ 030B	˙ 0328	˚ 030C
	D-	— 2015	ı 00B9	® 00AE	© 00A9	™ 2122	♪ 266A	¬ 00AC	¡ 00A6					¼ 215B	⅓ 215C	⅔ 215D	⅞ 215E
	E-	Ω 2126	Æ 00C6	Ð 0110	ª 00AA	¨ 0126		ı 0132	Ł 013F	ł 0141	ø 00D8	œ 0152	° 00BA	Ɔ 00DE	Ʀ 0166	Ŋ 014A	ħ 0149
	F-	κ 0138	æ 00E6	đ 0111	ð 00F0	ħ 0127	ı 0131	ıj 0133	ı 0140	ı 0142	ø 00F8	œ 0153	β 00DF	Ɔ 00FE	Ʀ 0167	Ŋ 014B	SHY 00AD
	0	-1	-2	-3	-4	-5	-6	-7	-8	-9	-A	-B	-C	-D	-E	-F	

NOTE: This table is a superset of ISO/IEC 6937 [22] with addition of the Euro symbol (U+20AC) in position 0xA4.

Figure A.1: Character code table 00 - Latin alphabet with Unicode equivalents



		Second Nibble															
		-0	-1	-2	-3	-4	-5	-6	-7	-8	-9	-A	-B	-C	-D	-E	-F
F i r s t  N i b b l e	0-																
	1-																
	2-	SPC 0020	! 0021	" 0022	# 0023	\$ 0024	% 0025	& 0026	' 0027	( 0028	) 0029	* 002A	+ 002B	, 002C	- 002D	. 002E	/ 002F
	3-	0 0030	1 0031	2 0032	3 0033	4 0034	5 0035	6 0036	7 0037	8 0038	9 0039	: 003A	; 003B	< 003C	= 003D	> 003E	? 003F
	4-	@ 0040	A 0041	B 0042	C 0043	D 0044	E 0045	F 0046	G 0047	H 0048	I 0049	J 004A	K 004B	L 004C	M 004D	N 004E	O 004F
	5-	P 0050	Q 0051	R 0052	S 0053	T 0054	U 0055	V 0056	W 0057	X 0058	Y 0059	Z 005A	[ 005B	\ 005C	] 005D	^ 005E	_ 005F
	6-	` 0060	a 0061	b 0062	c 0063	d 0064	e 0065	f 0066	g 0067	h 0068	i 0069	j 006A	k 006B	l 006C	m 006D	n 006E	o 006F
	7-	p 0070	q 0071	r 0072	s 0073	t 0074	u 0075	v 0076	w 0077	x 0078	y 0079	z 007A	{ 007B	 007C	} 007D	~ 007E	
	8-																
	9-																
	A-	NBSP 00A0	Ё 0401	Ђ 0402	Ѓ 0403	Є 0404	Ѕ 0405	І 0406	Ї 0407	Ј 0408	Љ 0409	Њ 040A	Ћ 040B	Ќ 040C	SHY 00AD	Ў 040E	Ў 040F
	B-	А 0410	Б 0411	В 0412	Г 0413	Д 0414	Е 0415	Ж 0416	З 0417	И 0418	Й 0419	К 041A	Л 041B	М 041C	Н 041D	О 041E	П 041F
	C-	Р 0420	С 0421	Т 0422	У 0423	Ф 0424	Х 0425	Ц 0426	Ч 0427	Ш 0428	Щ 0429	Ъ 042A	Ы 042B	Ь 042C	Э 042D	Ю 042E	Я 042F
	D-	а 0430	б 0431	в 0432	г 0433	д 0434	е 0435	ж 0436	з 0437	и 0438	й 0439	к 043A	л 043B	м 043C	н 043D	о 043E	п 043F
	E-	р 0440	с 0441	т 0442	у 0443	ф 0444	х 0445	ц 0446	ч 0447	ш 0448	щ 0449	ъ 044A	ы 044B	ь 044C	э 044D	ю 044E	я 044F
	F-	Ѕ 2116	ё 0451	ђ 0452	ѓ 0453	є 0454	ѕ 0455	і 0456	ї 0457	ј 0458	љ 0459	њ 045A	ќ 045B	ќ 045C	§ 00A7	ў 045E	џ 045F
	0	-1	-2	-3	-4	-5	-6	-7	-8	-9	-A	-B	-C	-D	-E	-F	

NOTE 1: For the Ruthenian language, the characters in code positions 0xA5 (S) and 0xF5 (s) are replaced by Г and Г, respectively.

NOTE 2: This is compatible with ISO/IEC 8859-5 [27].

Figure A.2: Character code table 01 - Latin/Cyrillic alphabet with Unicode equivalents



		Second Nibble															
		-0	-1	-2	-3	-4	-5	-6	-7	-8	-9	-A	-B	-C	-D	-E	-F
F i r s t  N i b b l e	0-																
	1-																
	2-	SPC 0020	! 0021	" 0022	# 0023	\$ 0024	% 0025	& 0026	' 0027	( 0028	) 0029	* 002A	+ 002B	, 002C	- 002D	. 002E	/ 002F
	3-	0 0030	1 0031	2 0032	3 0033	4 0034	5 0035	6 0036	7 0037	8 0038	9 0039	: 003A	; 003B	< 003C	= 003D	> 003E	? 003F
	4-	@ 0040	A 0041	B 0042	C 0043	D 0044	E 0045	F 0046	G 0047	H 0048	I 0049	J 004A	K 004B	L 004C	M 004D	N 004E	O 004F
	5-	P 0050	Q 0051	R 0052	S 0053	T 0054	U 0055	V 0056	W 0057	X 0058	Y 0059	Z 005A	[ 005B	\ 005C	] 005D	^ 005E	_ 005F
	6-	` 0060	a 0061	b 0062	c 0063	d 0064	e 0065	f 0066	g 0067	h 0068	i 0069	j 006A	k 006B	l 006C	m 006D	n 006E	o 006F
	7-	p 0070	q 0071	r 0072	s 0073	t 0074	u 0075	v 0076	w 0077	x 0078	y 0079	z 007A	{ 007B	 007C	} 007D	~ 007E	
	8-																
	9-																
	A-	NBSP 00A0				□ 00A4								. 060C	SHY 00AD		
	B-												: 061B				? 061F
	C-		ء 0621	آ 0622	أ 0623	ؤ 0624	إ 0625	ئ 0626	ا 0627	ب 0628	ة 0629	ت 062A	ث 062B	ج 062C	ح 062D	خ 062E	د 062F
	D-	ذ 0630	ر 0631	ز 0632	س 0633	ش 0634	ص 0635	ض 0636	ط 0637	ظ 0638	ع 0639	غ 063A					
	E-	- 0640	ف 0641	ق 0642	ك 0643	ل 0644	م 0645	ن 0646	ه 0647	و 0648	ى 0649	ي 064A	ٲ 064B	ٳ 064C	ٴ 064D	ٵ 064E	ٶ 064F
	F-																
		0	-1	-2	-3	-4	-5	-6	-7	-8	-9	-A	-B	-C	-D	-E	-F

NOTE: This is compatible with ISO/IEC 8859-6 [28].

Figure A.3: Character code table 02 - Latin/Arabic alphabet with Unicode equivalents

		Second Nibble															
		-0	-1	-2	-3	-4	-5	-6	-7	-8	-9	-A	-B	-C	-D	-E	-F
F i r s t  N i b b l e	0-																
	1-																
	2-	SPC 0020	! 0021	" 0022	# 0023	\$ 0024	% 0025	& 0026	' 0027	( 0028	) 0029	* 002A	+ 002B	, 002C	- 002D	. 002E	/ 002F
	3-	0 0030	1 0031	2 0032	3 0033	4 0034	5 0035	6 0036	7 0037	8 0038	9 0039	: 003A	; 003B	< 003C	= 003D	> 003E	? 003F
	4-	@ 0040	A 0041	B 0042	C 0043	D 0044	E 0045	F 0046	G 0047	H 0048	I 0049	J 004A	K 004B	L 004C	M 004D	N 004E	O 004F
	5-	P 0050	Q 0051	R 0052	S 0053	T 0054	U 0055	V 0056	W 0057	X 0058	Y 0059	Z 005A	[ 005B	\ 005C	] 005D	^ 005E	_ 005F
	6-	` 0060	a 0061	b 0062	c 0063	d 0064	e 0065	f 0066	g 0067	h 0068	i 0069	j 006A	k 006B	l 006C	m 006D	n 006E	o 006F
	7-	p 0070	q 0071	r 0072	s 0073	t 0074	u 0075	v 0076	w 0077	x 0078	y 0079	z 007A	{ 007B	 007C	} 007D	~ 007E	
	8-																
	9-																
	A-	NBSP 00A0	' 2018	' 2019	£ 00A3	€ 20AC	ƒ 20AF	¡ 00A6	§ 00A7	¨ 00A8	© 00A9	¸ 037A	« 00AB	¬ 00AC	SHY 00AD		— 2015
	B-	° 00B0	± 00B1	² 00B2	³ 00B3	´ 0384	µ 0385	À 0386	· 0387	É 0388	Ê 0389	Ë 038A	» 00BB	Ò 038C	½ 00BD	Û 038E	Ω 038F
	C-	ì 0390	À 0391	B 0392	Γ 0393	Δ 0394	E 0395	Z 0396	H 0397	Θ 0398	I 0399	K 039A	Λ 039B	M 039C	N 039D	Ξ 039E	O 039F
	D-	Π 03A0	P 03A1		Σ 03A3	T 03A4	Υ 03A5	Φ 03A6	X 03A7	Ψ 03A8	Ω 03A9	Ï 03AA	ÿ 03AB	á 03AC	é 03AD	ή 03AE	í 03AF
	E-	ú 03B0	α 03B1	β 03B2	γ 03B3	δ 03B4	ε 03B5	ζ 03B6	η 03B7	θ 03B8	ι 03B9	κ 03BA	λ 03BB	μ 03BC	ν 03BD	ξ 03BE	ο 03BF
	F-	π 03C0	ρ 03C1	ς 03C2	σ 03C3	τ 03C4	υ 03C5	φ 03C6	χ 03C7	ψ 03C8	ω 03C9	ï 03CA	ü 03CB	ó 03CC	ú 03CD	ώ 03CE	
	0	-1	-2	-3	-4	-5	-6	-7	-8	-9	-A	-B	-C	-D	-E	-F	

NOTE: This is compatible with ISO/IEC 8859-7 [29].

Figure A.4: Character code table 03 - Latin/Greek alphabet with Unicode equivalents

		Second Nibble															
		-0	-1	-2	-3	-4	-5	-6	-7	-8	-9	-A	-B	-C	-D	-E	-F
F i r s t  N i b b l e	0-																
	1-																
	2-	SPC 0020	! 0021	" 0022	# 0023	\$ 0024	% 0025	& 0026	' 0027	( 0028	) 0029	* 002A	+ 002B	, 002C	- 002D	. 002E	/ 002F
	3-	0 0030	1 0031	2 0032	3 0033	4 0034	5 0035	6 0036	7 0037	8 0038	9 0039	: 003A	; 003B	< 003C	= 003D	> 003E	? 003F
	4-	@ 0040	A 0041	B 0042	C 0043	D 0044	E 0045	F 0046	G 0047	H 0048	I 0049	J 004A	K 004B	L 004C	M 004D	N 004E	O 004F
	5-	P 0050	Q 0051	R 0052	S 0053	T 0054	U 0055	V 0056	W 0057	X 0058	Y 0059	Z 005A	[ 005B	\ 005C	] 005D	^ 005E	_ 005F
	6-	` 0060	a 0061	b 0062	c 0063	d 0064	e 0065	f 0066	g 0067	h 0068	i 0069	j 006A	k 006B	l 006C	m 006D	n 006E	o 006F
	7-	p 0070	q 0071	r 0072	s 0073	t 0074	u 0075	v 0076	w 0077	x 0078	y 0079	z 007A	{ 007B	 007C	} 007D	~ 007E	
	8-																
	9-																
	A-	NBSP 00A0		© 00A2	£ 00A3	¤ 00A4	¥ 00A5	¦ 00A6	§ 00A7	¨ 00A8	© 00A9	× 00D7	« 00AB	¬ 00AC	SHY 00AD	® 00AE	™ 00AF
	B-	° 00B0	± 00B1	² 00B2	³ 00B3	µ 00B4	¶ 00B5	· 00B6	¸ 00B7	¹ 00B8	º 00B9	÷ 00F7	» 00BB	¼ 00BC	½ 00BD	¾ 00BE	
	C-																
	D-																- 2017
	E-	א 05D0	ב 05D1	ג 05D2	ד 05D3	ה 05D4	ו 05D5	ז 05D6	ח 05D7	ט 05D8	י 05D9	ך 05DA	כ 05DB	ל 05DC	ם 05DD	נ 05DE	ן 05DF
	F-	נ 05E0	ס 05E1	ע 05E2	ף 05E3	פ 05E4	ץ 05E5	צ 05E6	ק 05E7	ר 05E8	ש 05E9	ת 05EA			LRM 200E	RLM 200F	
	0	-1	-2	-3	-4	-5	-6	-7	-8	-9	-A	-B	-C	-D	-E	-F	

NOTE: This is compatible with ISO/IEC 8859-8 [30].

Figure A.5: Character code table 04 - Latin/Hebrew alphabet with Unicode equivalents



		Second Nibble															
		-0	-1	-2	-3	-4	-5	-6	-7	-8	-9	-A	-B	-C	-D	-E	-F
First Nibble	0-																
	1-																
	2-	SPC 0020	! 0021	" 0022	# 0023	\$ 0024	% 0025	& 0026	' 0027	( 0028	) 0029	* 002A	+ 002B	, 002C	- 002D	. 002E	/ 002F
	3-	0 0030	1 0031	2 0032	3 0033	4 0034	5 0035	6 0036	7 0037	8 0038	9 0039	: 003A	; 003B	< 003C	= 003D	> 003E	? 003F
	4-	@ 0040	A 0041	B 0042	C 0043	D 0044	E 0045	F 0046	G 0047	H 0048	I 0049	J 004A	K 004B	L 004C	M 004D	N 004E	O 004F
	5-	P 0050	Q 0051	R 0052	S 0053	T 0054	U 0055	V 0056	W 0057	X 0058	Y 0059	Z 005A	[ 005B	\ 005C	] 005D	^ 005E	_ 005F
	6-	` 0060	a 0061	b 0062	c 0063	d 0064	e 0065	f 0066	g 0067	h 0068	i 0069	j 006A	k 006B	l 006C	m 006D	n 006E	o 006F
	7-	p 0070	q 0071	r 0072	s 0073	t 0074	u 0075	v 0076	w 0077	x 0078	y 0079	z 007A	{ 007B	 007C	} 007D	~ 007E	
	8-																
	9-																
	A-	NBSP 00A0	ı 00A1	ç 00A2	£ 00A3	¤ 00A4	¥ 00A5	! 00A6	§ 00A7	¨ 00A8	© 00A9	ª 00AA	« 00AB	¬ 00AC	SHY 00AD	® 00AE	ˆ 00AF
	B-	° 00B0	± 00B1	² 00B2	³ 00B3	´ 00B4	µ 00B5	¶ 00B6	· 00B7	¸ 00B8	¹ 00B9	º 00BA	» 00BB	¼ 00BC	½ 00BD	¾ 00BE	¿ 00BF
	C-	À 00C0	Á 00C1	Â 00C2	Ã 00C3	Ä 00C4	Å 00C5	Æ 00C6	Ç 00C7	È 00C8	É 00C9	Ê 00CA	Ë 00CB	Ì 00CC	Í 00CD	Î 00CE	Ï 00CF
	D-	Ğ 011E	Ñ 00D1	Ò 00D2	Ó 00D3	Ô 00D4	Õ 00D5	Ö 00D6	× 00D7	Ø 00D8	Ù 00D9	Ú 00DA	Û 00DB	Ü 00DC	ı 0130	Ş 015E	ß 00DF
	E-	à 00E0	á 00E1	â 00E2	ã 00E3	ä 00E4	å 00E5	æ 00E6	ç 00E7	è 00E8	é 00E9	ê 00EA	ë 00EB	ì 00EC	í 00ED	î 00EE	ï 00EF
	F-	ğ 011F	ñ 00F1	ò 00F2	ó 00F3	ô 00F4	õ 00F5	ö 00F6	÷ 00F7	ø 00F8	ù 00F9	ú 00FA	û 00FB	ü 00FC	ı 0131	ş 015F	ÿ 00FF
	0	-1	-2	-3	-4	-5	-6	-7	-8	-9	-A	-B	-C	-D	-E	-F	

NOTE: This is compatible with ISO/IEC 8859-9 [31].

Figure A.6: Character code table 05 - Latin/Turkish alphabet with Unicode equivalents

		Second Nibble															
		-0	-1	-2	-3	-4	-5	-6	-7	-8	-9	-A	-B	-C	-D	-E	-F
F i r s t  N i b b l e	0-																
	1-																
	2-	SPC 0020	! 0021	" 0022	# 0023	\$ 0024	% 0025	& 0026	' 0027	( 0028	) 0029	* 002A	+ 002B	, 002C	- 002D	. 002E	/ 002F
	3-	0 0030	1 0031	2 0032	3 0033	4 0034	5 0035	6 0036	7 0037	8 0038	9 0039	: 003A	; 003B	< 003C	= 003D	> 003E	? 003F
	4-	@ 0040	A 0041	B 0042	C 0043	D 0044	E 0045	F 0046	G 0047	H 0048	I 0049	J 004A	K 004B	L 004C	M 004D	N 004E	O 004F
	5-	P 0050	Q 0051	R 0052	S 0053	T 0054	U 0055	V 0056	W 0057	X 0058	Y 0059	Z 005A	[ 005B	\ 005C	] 005D	^ 005E	_ 005F
	6-	` 0060	a 0061	b 0062	c 0063	d 0064	e 0065	f 0066	g 0067	h 0068	i 0069	j 006A	k 006B	l 006C	m 006D	n 006E	o 006F
	7-	p 0070	q 0071	r 0072	s 0073	t 0074	u 0075	v 0076	w 0077	x 0078	y 0079	z 007A	{ 007B	 007C	} 007D	~ 007E	
	8-																
	9-																
	A-	NBSP 00A0	À 0104	Á 0112	Â 0122	Ã 012A	Ä 0128	Å 0136	Ş 00A7	Ł 013B	Đ 0110	Š 0160	Ŧ 0166	Ž 017D	SHY 00AD	Ū 016A	Ŋ 014A
	B-	° 00B0	ą 0105	ē 0113	ġ 0123	ī 012B	ĩ 0129	ķ 0137	· 00B7	ł 013C	đ 0111	š 0161	ŧ 0167	ž 017E	— 2015	ū 016B	ŋ 014B
	C-	Ā 0100	Ă 00C1	Ȃ 00C2	Ȧ 00C3	Ą 00C4	Ȥ 00C5	Æ 00C6	Į 012E	Č 010C	É 00C9	Ę 0118	Ě 00CB	Ë 0116	Í 00CD	Î 00CE	Ï 00CF
	D-	Ð 00D0	Ñ 0145	Ŏ 014C	Ȯ 00D3	Ȫ 00D4	Ȭ 00D5	Ȯ 00D6	Ū 0168	Ø 00D8	Ɔ 0172	Ú 00DA	Û 00DB	Ü 00DC	Ý 00DD	Þ 00DE	Ɔ 00DF
	E-	ā 0101	á 00E1	â 00E2	ã 00E3	ä 00E4	å 00E5	æ 00E6	į 012F	č 010D	é 00E9	ę 0119	ě 00EB	ë 0117	í 00ED	î 00EE	ï 00EF
	F-	ð 00F0	ñ 0146	ŏ 014D	ȯ 00F3	ȫ 00F4	ȭ 00F5	Ȱ 00F6	ū 0169	ø 00F8	Ʒ 0173	ú 00FA	û 00FB	ü 00FC	ý 00FD	þ 00FE	Ɔ 0138
	0	-1	-2	-3	-4	-5	-6	-7	-8	-9	-A	-B	-C	-D	-E	-F	

NOTE: This is compatible with ISO/IEC 8859-10 [32].

Figure A.7: Character code table 06 - Latin/Nordic alphabet with Unicode equivalents

		Second Nibble															
		-0	-1	-2	-3	-4	-5	-6	-7	-8	-9	-A	-B	-C	-D	-E	-F
F i r s t  N i b b l e	0-																
	1-																
	2-	SPC 0020	! 0021	" 0022	# 0023	\$ 0024	% 0025	& 0026	' 0027	( 0028	) 0029	* 002A	+ 002B	, 002C	- 002D	. 002E	/ 002F
	3-	0 0030	1 0031	2 0032	3 0033	4 0034	5 0035	6 0036	7 0037	8 0038	9 0039	: 003A	; 003B	< 003C	= 003D	> 003E	? 003F
	4-	@ 0040	A 0041	B 0042	C 0043	D 0044	E 0045	F 0046	G 0047	H 0048	I 0049	J 004A	K 004B	L 004C	M 004D	N 004E	O 004F
	5-	P 0050	Q 0051	R 0052	S 0053	T 0054	U 0055	V 0056	W 0057	X 0058	Y 0059	Z 005A	[ 005B	\ 005C	] 005D	^ 005E	_ 005F
	6-	 0060	a 0061	b 0062	c 0063	d 0064	e 0065	f 0066	g 0067	h 0068	i 0069	j 006A	k 006B	l 006C	m 006D	n 006E	o 006F
	7-	p 0070	q 0071	r 0072	s 0073	t 0074	u 0075	v 0076	w 0077	x 0078	y 0079	z 007A	{ 007B	 007C	} 007D	~ 007E	
	8-																
	9-																
	A-	NBSP 00A0	ก 0E01	ข 0E02	ฃ 0E03	ค 0E04	ฅ 0E05	ฆ 0E06	ง 0E07	จ 0E08	ฉ 0E09	ช 0E0A	ฌ 0E0B	ฎ 0E0C	ญ 0E0D	ฎ 0E0E	ฏ 0E0F
	B-	ฐ 0E10	ฑ 0E11	ฒ 0E12	ณ 0E13	ด 0E14	ต 0E15	ถ 0E16	ท 0E17	ธ 0E18	น 0E19	บ 0E1A	ป 0E1B	ผ 0E1C	ฝ 0E1D	พ 0E1E	ฟ 0E1F
	C-	ภ 0E20	ม 0E21	ย 0E22	ร 0E23	ฤ 0E24	ล 0E25	ฌ 0E26	ว 0E27	ศ 0E28	ษ 0E29	ส 0E2A	ห 0E2B	ฬ 0E2C	อ 0E2D	ฮ 0E2E	า 0E2F
	D-	ะ 0E30	ั 0E31	ำ 0E32	า 0E33	ำ 0E34	ำ 0E35	ำ 0E36	ำ 0E37	ำ 0E38	ำ 0E39	ำ 0E3A					฿ 0E3F
	E-	เ 0E40	แ 0E41	โ 0E42	ใ 0E43	ใ 0E44	ใ 0E45	ใ 0E46	ใ 0E47	ใ 0E48	ใ 0E49	ใ 0E4A	ใ 0E4B	ใ 0E4C	ใ 0E4D	ใ 0E4E	ใ 0E4F
	F-	อ 0E50	ค 0E51	ข 0E52	ฃ 0E53	ค 0E54	ฅ 0E55	ฆ 0E56	ง 0E57	จ 0E58	ฉ 0E59	ช 0E5A	ฌ 0E5B				
	0	-1	-2	-3	-4	-5	-6	-7	-8	-9	-A	-B	-C	-D	-E	-F	

NOTE: This is compatible with ISO/IEC 8859-11 [33].

Figure A.8: Character code table 07 - Latin/Thai alphabet with Unicode equivalents



		Second Nibble															
		-0	-1	-2	-3	-4	-5	-6	-7	-8	-9	-A	-B	-C	-D	-E	-F
First Nibble	0-																
	1-																
	2-	SPC 0020	! 0021	" 0022	# 0023	\$ 0024	% 0025	& 0026	' 0027	( 0028	) 0029	* 002A	+ 002B	, 002C	- 002D	. 002E	/ 002F
	3-	0 0030	1 0031	2 0032	3 0033	4 0034	5 0035	6 0036	7 0037	8 0038	9 0039	: 003A	; 003B	< 003C	= 003D	> 003E	? 003F
	4-	@ 0040	A 0041	B 0042	C 0043	D 0044	E 0045	F 0046	G 0047	H 0048	I 0049	J 004A	K 004B	L 004C	M 004D	N 004E	O 004F
	5-	P 0050	Q 0051	R 0052	S 0053	T 0054	U 0055	V 0056	W 0057	X 0058	Y 0059	Z 005A	[ 005B	\ 005C	] 005D	^ 005E	_ 005F
	6-	 0060	a 0061	b 0062	c 0063	d 0064	e 0065	f 0066	g 0067	h 0068	i 0069	j 006A	k 006B	l 006C	m 006D	n 006E	o 006F
	7-	p 0070	q 0071	r 0072	s 0073	t 0074	u 0075	v 0076	w 0077	x 0078	y 0079	z 007A	{ 007B	 007C	} 007D	~ 007E	
	8-																
	9-																
	A-	NBSP 00A0	" 201D	€ 00A2	£ 00A3	¤ 00A4	„ 201E	! 00A6	§ 00A7	Ø 00D8	© 00A9	Ŕ 0156	« 00AB	¬ 00AC	SHY 00AD	® 00AE	Æ 00C6
	B-	° 00B0	± 00B1	² 00B2	³ 00B3	" 201C	µ 00B5	¶ 00B6	· 00B7	ø 00F8	¹ 00B9	ƒ 0157	» 00BB	¼ 00BC	½ 00BD	¾ 00BE	æ 00E6
	C-	À 0104	Á 012E	Â 0100	Ã 0106	Ä 00C4	Å 00C5	Ė 0118	Ē 0112	Č 010C	É 00C9	Ž 0179	Ê 0116	Ġ 0122	Ķ 0136	Ī 012A	Ļ 013B
	D-	Š 0160	Ń 0143	Ņ 0145	Ó 00D3	Ö 014C	Õ 00D5	Ö 00D6	× 00D7	Û 0172	Ł 0141	Ś 015A	Ū 016A	Ū 00DC	Ž 017B	Ž 017D	ß 00DF
	E-	ą 0105	ĵ 012F	ā 0101	ć 0107	ä 00E4	å 00E5	ę 0119	ē 0113	č 010D	é 00E9	ž 017A	ê 0117	ġ 0123	ķ 0137	ī 012B	ļ 013C
	F-	š 0161	ń 0144	ņ 0146	ó 00F3	ö 014D	õ 00F5	ö 00F6	÷ 00F7	ұ 0173	ł 0142	ś 015B	ū 016B	ū 00FC	ž 017C	ž 017E	' 2019
	0	-1	-2	-3	-4	-5	-6	-7	-8	-9	-A	-B	-C	-D	-E	-F	

NOTE: This is compatible with ISO/IEC 8859-13 [34].

Figure A.9: Character code table 09 - Latin/Baltic Rim alphabet with Unicode equivalents

		Second Nibble															
		-0	-1	-2	-3	-4	-5	-6	-7	-8	-9	-A	-B	-C	-D	-E	-F
F i r s t  N i b b l e	0-																
	1-																
	2-	SPC 0020	! 0021	" 0022	# 0023	\$ 0024	% 0025	& 0026	' 0027	( 0028	) 0029	* 002A	+ 002B	, 002C	- 002D	. 002E	/ 002F
	3-	0 0030	1 0031	2 0032	3 0033	4 0034	5 0035	6 0036	7 0037	8 0038	9 0039	: 003A	; 003B	< 003C	= 003D	> 003E	? 003F
	4-	@ 0040	A 0041	B 0042	C 0043	D 0044	E 0045	F 0046	G 0047	H 0048	I 0049	J 004A	K 004B	L 004C	M 004D	N 004E	O 004F
	5-	P 0050	Q 0051	R 0052	S 0053	T 0054	U 0055	V 0056	W 0057	X 0058	Y 0059	Z 005A	[ 005B	\ 005C	] 005D	^ 005E	_ 005F
	6-	` 0060	a 0061	b 0062	c 0063	d 0064	e 0065	f 0066	g 0067	h 0068	i 0069	j 006A	k 006B	l 006C	m 006D	n 006E	o 006F
	7-	p 0070	q 0071	r 0072	s 0073	t 0074	u 0075	v 0076	w 0077	x 0078	y 0079	z 007A	{ 007B	 007C	} 007D	~ 007E	
	8-																
	9-																
	A-	NBSP 00A0	Ā 1E02	ā 1E03	£ 00A3	Ĉ 010A	ĉ 010B	Ď 1E0A	§ 00A7	Ŵ 1E80	© 00A9	Ŷ 1E82	đ 1E0B	ÿ 1EF2	SHY 00AD	® 00AE	ÿ 0178
	B-	Ā 1E1E	ā 1E1F	Ā 0120	ā 0121	Ā 1E40	ā 1E41	ŕ 00B6	Ā 1E56	ā 1E81	Ā 1E57	ā 1E83	Ā 1E60	ā 1EF3	Ā 1E84	ā 1E85	Ā 1E61
	C-	À 00C0	Á 00C1	Â 00C2	Ã 00C3	Ä 00C4	Å 00C5	Æ 00C6	Ç 00C7	È 00C8	É 00C9	Ê 00CA	Ë 00CB	Ì 00CC	Í 00CD	Î 00CE	Ï 00CF
	D-	Ŵ 0174	Ŷ 00D1	Ÿ 00D2	Ź 00D3	Ű 00D4	ű 00D5	Ų 00D6	Ţ 1E6A	Ŧ 00D8	Ù 00D9	Ú 00DA	Û 00DB	Ü 00DC	Ý 00DD	Ŷ 0176	ß 00DF
	E-	à 00E0	á 00E1	â 00E2	ã 00E3	ä 00E4	å 00E5	æ 00E6	ç 00E7	è 00E8	é 00E9	ê 00EA	ë 00EB	ì 00EC	í 00ED	î 00EE	ï 00EF
	F-	ŵ 0175	ñ 00F1	ò 00F2	ó 00F3	ô 00F4	õ 00F5	ö 00F6	ı 1E6B	ø 00F8	ù 00F9	ú 00FA	û 00FB	ü 00FC	ý 00FD	ÿ 0177	ÿ 00FF
	0	-1	-2	-3	-4	-5	-6	-7	-8	-9	-A	-B	-C	-D	-E	-F	

NOTE: This is compatible with ISO/IEC 8859-14 [35].

Figure A.10: Character code table 0A - Latin/Celtic alphabet with Unicode equivalents



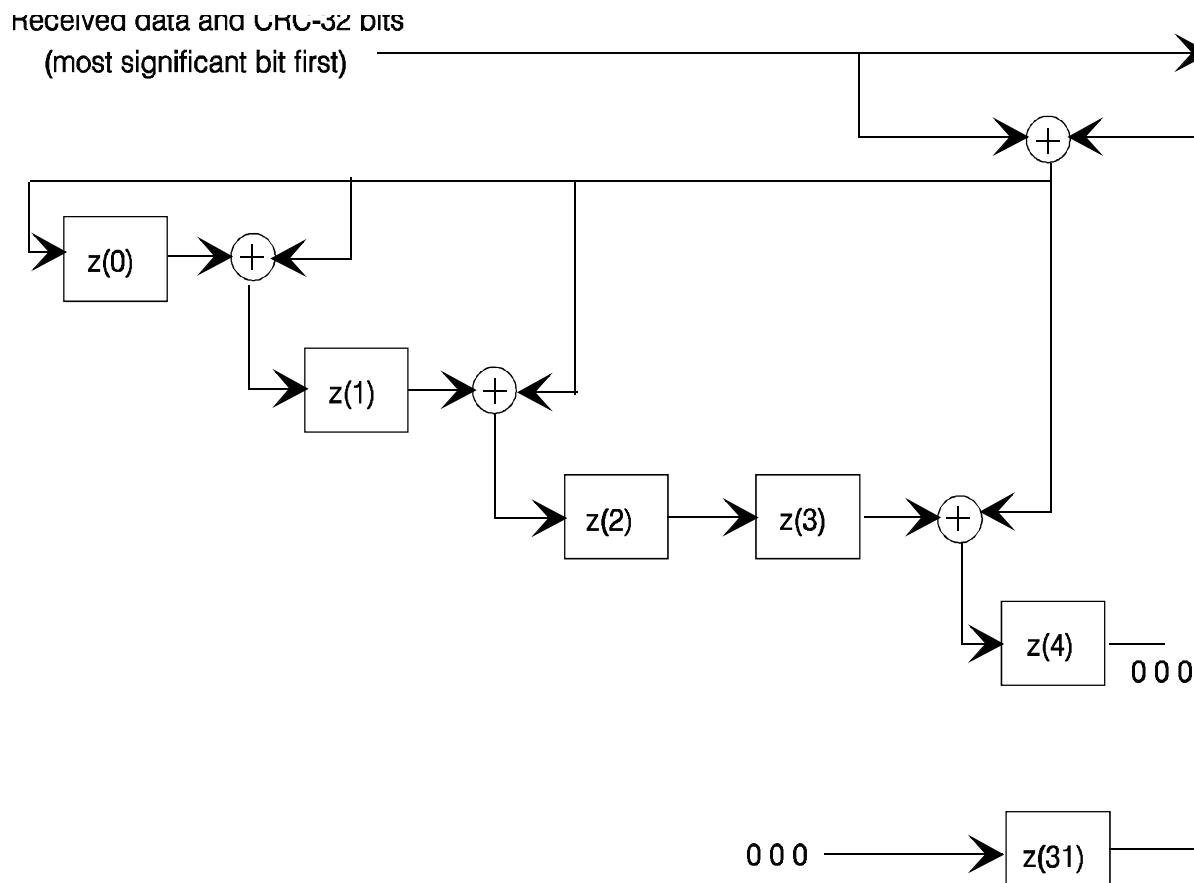
		Second Nibble															
		-0	-1	-2	-3	-4	-5	-6	-7	-8	-9	-A	-B	-C	-D	-E	-F
F i r s t  N i b b l e	0-																
	1-																
	2-	SPC 0020	! 0021	" 0022	# 0023	\$ 0024	% 0025	& 0026	' 0027	( 0028	) 0029	* 002A	+ 002B	, 002C	- 002D	. 002E	/ 002F
	3-	0 0030	1 0031	2 0032	3 0033	4 0034	5 0035	6 0036	7 0037	8 0038	9 0039	: 003A	; 003B	< 003C	= 003D	> 003E	? 003F
	4-	@ 0040	A 0041	B 0042	C 0043	D 0044	E 0045	F 0046	G 0047	H 0048	I 0049	J 004A	K 004B	L 004C	M 004D	N 004E	O 004F
	5-	P 0050	Q 0051	R 0052	S 0053	T 0054	U 0055	V 0056	W 0057	X 0058	Y 0059	Z 005A	[ 005B	\ 005C	] 005D	^ 005E	_ 005F
	6-	` 0060	a 0061	b 0062	c 0063	d 0064	e 0065	f 0066	g 0067	h 0068	i 0069	j 006A	k 006B	l 006C	m 006D	n 006E	o 006F
	7-	p 0070	q 0071	r 0072	s 0073	t 0074	u 0075	v 0076	w 0077	x 0078	y 0079	z 007A	{ 007B	 007C	} 007D	~ 007E	
	8-																
	9-																
	A-	NBSP 00A0	ı 00A1	ç 00A2	£ 00A3	€ 20AC	¥ 00A5	Š 0160	§ 00A7	š 0161	© 00A9	ª 00AA	« 00AB	¬ 00AC	SHY 00AD	® 00AE	ˆ 00AF
	B-	° 00B0	± 00B1	² 00B2	³ 00B3	Ž 017D	µ 00B5	¶ 00B6	· 00B7	ž 017E	¹ 00B9	º 00BA	» 00BB	Œ 0152	œ 0153	ÿ 0178	¿ 00BF
	C-	À 00C0	Á 00C1	Â 00C2	Ã 00C3	Ä 00C4	Å 00C5	Æ 00C6	Ç 00C7	È 00C8	É 00C9	Ê 00CA	Ë 00CB	Ì 00CC	Í 00CD	Î 00CE	Ï 00CF
	D-	Ð 00D0	Ñ 00D1	Ò 00D2	Ó 00D3	Ô 00D4	Õ 00D5	Ö 00D6	× 00D7	Ø 00D8	Ù 00D9	Ú 00DA	Û 00DB	Ü 00DC	Ý 00DD	Þ 00DE	ß 00DF
	E-	à 00E0	á 00E1	â 00E2	ã 00E3	ä 00E4	å 00E5	æ 00E6	ç 00E7	è 00E8	é 00E9	ê 00EA	ë 00EB	ì 00EC	í 00ED	î 00EE	ï 00EF
	F-	ò 00F0	ñ 00F1	ó 00F2	ô 00F3	õ 00F4	ö 00F5	÷ 00F6	ø 00F7	ù 00F8	ú 00F9	û 00FA	ü 00FB	ý 00FC	þ 00FD	ÿ 00FE	
	0	-1	-2	-3	-4	-5	-6	-7	-8	-9	-A	-B	-C	-D	-E	-F	

NOTE: This is compatible with ISO/IEC 8859-15 [36].

Figure A.11: Character code table 0B - Latin/Western European alphabet with Unicode equivalents

## Annex B (normative): CRC decoder model

The 32-bit CRC decoder is specified in figure B.1.



**Figure B.1: 32-bit CRC decoder model**

The 32-bit CRC decoder operates at bit level and consists of 14 adders + and 32 delay elements  $z(i)$ . The input of the CRC decoder is added to the output of  $z(31)$ , and the result is provided to the input  $z(0)$  and to one of the inputs of each remaining adder. The other input of each remaining adder is the output of  $z(i)$ , while the output of each remaining adder is connected to the input of  $z(i+1)$ , with  $i = 0, 1, 3, 4, 6, 7, 9, 10, 11, 15, 21, 22$  and  $25$  (see figure B.1).

This is the CRC calculated with the polynomial:

$$x^{32} + x^{26} + x^{23} + x^{22} + x^{16} + x^{12} + x^{11} + x^{10} + x^8 + x^7 + x^5 + x^4 + x^2 + x + 1$$

At the input of the CRC decoder bytes are received.

Each byte is shifted into the CRC decoder one bit at a time, with the Most Significant Bit (MSB) first, i.e. from byte 0x01 (the last byte of the startcode prefix), first the seven "0"s enter the CRC decoder, followed by the one "1".

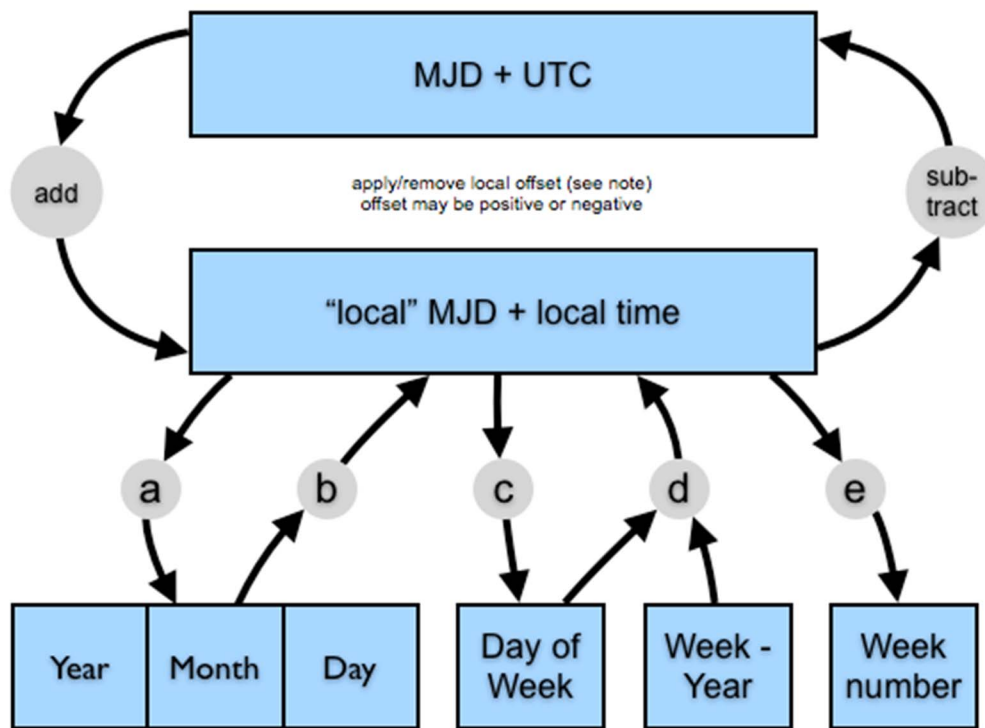
Before the CRC processing of the data of a section the output of each delay element  $z(i)$  is set to its initial value "1". After this initialization, each byte of the section is provided to the input of the CRC decoder, including the four CRC\_32 bytes.

After shifting the last bit of the last CRC\_32 byte into the decoder, i.e. into  $z(0)$  after the addition with the output of  $z(31)$ , the output of all delay elements  $z(i)$  is read. In case of no errors, each of the outputs of  $z(i)$  has to be zero.

At the CRC encoder the CRC\_32 field is encoded with such value that this is ensured.

## Annex C (informative): Conversion between time and date conventions

The types of conversion which may be required are summarized in figure C.1.



NOTE: Offsets are positive for Longitudes East of Greenwich and negative for Longitudes West of Greenwich.

**Figure C.1: Conversion routes between Modified Julian Date (MJD) and Co-ordinated Universal Time (UTC)**

The conversion between MJD + UTC and the "local" MJD + local time is simply a matter of adding or subtracting the local offset. This process may, of course, involve a "carry" or "borrow" from the UTC affecting the MJD. The other five conversion routes shown on the diagram are detailed in the formulas below:

Symbols used:

D	Day of month from 1 to 31
int	Integer part, ignoring remainder
K, L, M', W, Y'	Intermediate variables
M	Month from January (= 1) to December (= 12)
MJD	Modified Julian Date
mod 7	Remainder (0-6) after dividing integer by 7
UTC	Universal Time, Co-ordinated
WD	Day of week from Monday (= 1) to Sunday (= 7)
WN	Week number according to ISO 8601 [40]
WY	"Week number" Year from 1900
x	Multiplication
Y	Year from 1900 (e.g. for 2003, Y = 103)

- a) To find Y, M, D from MJD
- $$Y' = \text{int} [ (\text{MJD} - 15\,078,2) / 365,25 ]$$
- $$M' = \text{int} \{ [ \text{MJD} - 14\,956,1 - \text{int}(Y' \times 365,25) ] / 30,6001 \}$$
- $$D = \text{MJD} - 14\,956 - \text{int}(Y' \times 365,25) - \text{int}(M' \times 30,6001)$$
- If  $M' = 14$  or  $M' = 15$ , then  $K = 1$ ; else  $K = 0$
- $$Y = Y' + K$$
- $$M = M' - 1 - K \times 12$$

- b) To find MJD from Y, M, D  
 If  $M = 1$  or  $M = 2$ , then  $L = 1$ ; else  $L = 0$   
 $MJD = 14\,956 + D + \text{int} [ (Y - L) \times 365,25 ] + \text{int} [ (M + 1 + L \times 12) \times 30,6001 ]$
- c) To find WD from MJD  
 $WD = [ (MJD + 2) \bmod 7 ] + 1$
- d) To find MJD from WY, WN, WD  
 $MJD = 15\,012 + WD + 7 \times \{ WN + \text{int} [ (WY \times 1\,461 / 28) + 0,41 ] \}$
- e) To find WY, WN from MJD  
 $W = \text{int} [ (MJD / 7) - 2\,144,64 ]$   
 $WY = \text{int} [ (W \times 28 / 1\,461) - 0,0079 ]$   
 $WN = W - \text{int} [ (WY \times 1\,461 / 28) + 0,41 ]$

EXAMPLE:    MJD = 45 218                    W = 4 315  
               Y = (19)82                    WY = (19)82  
               M = 9 (September)        N = 36  
               D = 6                            WD = 1 (Monday)

NOTE: These formulas are applicable between the inclusive dates 1900 March 1 to 2100 February 28.

## Annex D (normative): Service information implementation of AC-3, Enhanced AC-3, and AC-4 audio in DVB systems

### D.0 Introduction

This annex describes the implementation and implementation guidelines for DVB Service Information for conveying AC-3, Enhanced AC-3, and AC-4 audio elementary streams within a DVB transport stream.

The transmission of AC-3, Enhanced AC-3, and AC-4 audio streams is optional in DVB systems, as specified in ETSI TS 101 154 [9]. However, if AC-3, Enhanced AC-3, or AC-4 audio streams are transmitted in a DVB system the specifications in this annex shall be followed.

### D.1 AC-3 and Enhanced AC-3 component types

Table D.1 shows the assignment of component\_type values in the component\_descriptor in the case that the stream\_content value is set to 0x04, indicating the reference to an AC-3 or Enhanced AC-3 stream. If values of the component\_type field other than those shown in table D.1 are conveyed, the component\_type field may be ignored.

**Table D.1: AC-3 and Enhanced AC-3 component\_type value assignments**

component_type bits	Description
b7 (MSB)	Enhanced AC-3 flag (see table D.2)
b6	Full service flag (see table D.3)
b5 to b3	Service type flags (see table D.4)
b2 to b0	Number of channels flags (see table D.5)

**Table D.2: Enhanced AC-3 flag**

Enhanced AC-3 flag b7	Description
0	Stream is AC-3
1	Stream is Enhanced AC-3

**Table D.3: Full service flag**

full service flag b6	Description
0	Decoded audio stream is an associated service intended to be combined with another decoded audio stream before presentation to the listener
1	Decoded audio stream is a full service (suitable for decoding and presentation to the listener)

Table D.4: Service type flags

service type flags			Description	Restrictions (see note)	
b5	b4	b3		full service flag (b6)	number of channels flags (b2 to b0)
0	0	0	Complete Main (CM)	set to 1	
0	0	1	Music and Effects (ME)	set to 0	
0	1	0	Visually Impaired (VI)		
0	1	1	Hearing Impaired (HI)		
1	0	0	Dialogue (D)	set to 0	
1	0	1	Commentary (C)		set to 000
1	1	0	Emergency (E)	set to 1	set to 000
1	1	1	Voiceover (VO)	set to 0	set to 000
1	1	1	Karaoke	set to 1	set to 010, 011 or 100

NOTE: The values of the service type flags are only valid if the conditions identified in the restrictions column are satisfied.

Table D.5: Number of channels flags

number of channels flags			Description	Restrictions (see note)
b2	b1	b0		Enhanced AC-3 flag (b7)
0	0	0	Mono	
0	0	1	1+1 Mode	
0	1	0	2 channel (stereo)	
0	1	1	2 channel Surround encoded (stereo)	
1	0	0	Multichannel audio (> 2 channels)	
1	0	1	Multichannel audio (> 5.1 channels)	set to 1
1	1	0	Elementary stream contains multiple programmes carried in independent substreams	set to 1
1	1	1	reserved for future use	

NOTE: The values of the number of channels flags are only valid if the conditions identified in the restrictions column are satisfied.

## D.2 AC-3 descriptor

The AC-3\_descriptor identifies an AC-3 audio elementary stream that has been coded in accordance with ETSI TS 102 366 [14] (not including annex E thereof). The intended purpose is to provide configuration information for the IRD.

The descriptor shall be included in a program map section at most once in each relevant ES\_info descriptor loop which describes an elementary stream carrying AC-3 audio coded in accordance with ETSI TS 102 366 [14] (not including annex E thereof).

The descriptor tag provides a unique identification of the presence of the AC-3 elementary stream. Other optional fields in the descriptor may be used to provide identification of the component type mode of the AC-3 audio coded in the stream (component\_type field) and indicate if the stream is a main AC-3 audio service (main field) or an associated AC-3 service (asvc field).

The descriptor has a minimum length of one byte, but may be longer depending upon the state of the flags and the additional info loop.

## D.3 AC-3 descriptor syntax and semantics

The AC-3 descriptor (see table D.6) is used in the PSI PMT to identify streams which carry AC-3 audio. The descriptor shall be included in a program map section at most once in each relevant ES\_info descriptor loop.

Table D.6: AC-3 descriptor syntax

Syntax	Number of bits	Identifier
AC-3_descriptor(){		
descriptor_tag	8	uimsbf
descriptor_length	8	uimsbf
component_type_flag	1	bslbf
bsid_flag	1	bslbf
mainid_flag	1	bslbf
asvc_flag	1	bslbf
reserved_flags	4	bslbf
if (component_type_flag == 1){	8	uimsbf
component_type		
}		
if (bsid_flag == 1){	8	uimsbf
bsid		
}		
if (mainid_flag == 1){	8	uimsbf
mainid		
}		
if (asvc_flag == 1){	8	uimsbf
asvc		
}		
for(i=0;i<N;i++){	8	uimsbf
additional_info_byte		
}		
}		

**Semantics for the AC-3 descriptor:**

**descriptor\_tag:** The descriptor tag is an 8-bit field which identifies each descriptor. The value assigned to the AC-3 descriptor\_tag is 0x6A (see table 12).

**descriptor\_length:** This 8-bit field specifies the total number of bytes of the data portion of the descriptor following the byte defining the value of this field. The AC-3 descriptor has a minimum length of one byte but may be longer depending on the use of the optional flags and the additional\_info\_loop.

**component\_type\_flag:** This 1-bit field is mandatory. It should be set to "1" to include the optional component\_type field in the descriptor.

**bsid\_flag:** This 1-bit field is mandatory. It should be set to "1" to include the optional bsid field in the descriptor.

**mainid\_flag:** This 1-bit field is mandatory. It should be set to "1" to include the optional mainid field in the descriptor.

**asvc\_flag:** This 1-bit field is mandatory. It should be set to "1" to include the optional asvc field in the descriptor.

**reserved flags:** These 1-bit fields are reserved for future use. They should always be set to "0".

**component\_type:** This optional 8-bit field indicates the type of audio carried in the AC-3 elementary stream. It is set to the same value as the component type field of the component descriptor (see table D.2).

**bsid:** This optional 8-bit field indicates the AC-3 coding version. The three MSBs should always be set to "0". The five LSBs are set to the same value as the bsid field in the AC-3 elementary stream, i.e. "01000" (= 8) or "00110" (= 6) in the current version of AC-3.

**mainid:** This optional 8-bit field identifies a main audio service and contains a number in the range 0 to 7 which identifies a main audio service. Each main service should be tagged with a unique number. This value is used as an identifier to link associated services with particular main services.

**asvc:** This 8-bit field is optional. Each bit (0 to 7) identifies with which main service(s) this associated service is associated. The left most bit, bit 7, indicates whether this associated service may be reproduced along with main service number 7. If the bit has a value of 1, the service is associated with main service number 7. If the bit has a value of 0, the service is not associated with main service number 7.

**additional\_info\_byte:** These optional bytes are reserved for future use.

## D.4 Enhanced\_AC-3 descriptor

The Enhanced\_AC-3\_descriptor identifies an Enhanced AC-3 audio elementary stream that has been coded in accordance with ETSI TS 102 366 [14], annex E. The intended purpose is to provide configuration information for the IRD.

The descriptor shall be included in a program map section at most once in each relevant ES\_info descriptor loop which describes an elementary stream carrying Enhanced AC-3 audio coded in accordance with ETSI TS 102 366 [14], annex E.

The descriptor tag provides a unique identification of the presence of the Enhanced AC-3 elementary stream. Other optional fields in the descriptor may be used to provide identification of the component type mode of the Enhanced AC-3 audio coded in the stream (component\_type field) and indicate if the stream is a main Enhanced AC-3 audio service (main field) or an associated Enhanced AC-3 service (asvc field), or contains independent substreams (substream field).

The descriptor has a minimum length of one byte, but may be longer depending upon the state of the flags and the additional info loop.

## D.5 Enhanced\_AC-3 descriptor syntax and semantics

The Enhanced AC-3 descriptor (see table D.7) is used in the PSI PMT to identify streams which carry Enhanced AC-3 audio. The descriptor shall be included in a program map section at most once in each relevant ES\_info descriptor loop.

**Table D.7: Enhanced AC-3 descriptor syntax**

Syntax	Number of Bits	Identifier
enhanced_ac-3_descriptor(){		
descriptor_tag	8	uimsbf
descriptor_length	8	uimsbf
component_type_flag	1	bslbf
bsid_flag	1	bslbf
mainid_flag	1	bslbf
asvc_flag	1	bslbf
mixinfoexists	1	bslbf
substream1_flag	1	bslbf
substream2_flag	1	bslbf
substream3_flag	1	bslbf
if (component_type_flag == 1){	8	uimsbf
component_type		
}		
if (bsid_flag == 1){	8	uimsbf
bsid		
}		
if (mainid_flag == 1){	8	uimsbf
mainid		
}		
if (asvc_flag == 1){	8	bslbf
asvc		
}		
if (substream1_flag == 1){	8	uimsbf
substream1		
}		
if (substream2_flag == 1){	8	uimsbf
substream2		
}		
if (substream3_flag == 1){	8	uimsbf
substream3		
}		
for (i=0;i<N;i++){	8	bslbf
additional_info_byte		
}		
}		



**Semantics for the Enhanced AC-3 descriptor:**

**descriptor\_tag:** The descriptor tag is an 8-bit field which identifies each descriptor. The value assigned to the Enhanced\_AC-3 descriptor\_tag is 0x7A (see table 12).

**descriptor\_length:** This 8-bit field specifies the total number of bytes of the data portion of the descriptor following the byte defining the value of this field. The Enhanced AC-3 descriptor has a minimum length of one byte but may be longer depending on the use of the optional flags and the additional\_info\_loop.

**component\_type\_flag:** This 1-bit field is mandatory. It should be set to "1" to include the optional component\_type field in the descriptor.

**bsid\_flag:** This 1-bit field is mandatory. It should be set to "1" to include the optional bsid field in the descriptor.

**mainid\_flag:** This 1-bit field is mandatory. It should be set to "1" to include the optional mainid field in the descriptor.

**asvc\_flag:** This 1-bit field is mandatory. It should be set to "1" to include the optional asvc field in the descriptor.

**mixinfoexists:** This 1-bit field is mandatory for Enhanced AC-3 streams. If set to "1" the Enhanced AC-3 stream contains metadata in independent substream 0 to control mixing with another AC-3 or Enhanced AC-3 stream.

**substream1\_flag:** This 1-bit field is mandatory. It should be set to "1" to include the optional substream1 field in the descriptor. This flag should be set to "1" when the Enhanced AC-3 stream contains an additional programme carried in independent substream 1.

**substream2\_flag:** This 1-bit field is mandatory. It should be set to "1" to include the optional substream2 field in the descriptor. This flag should be set to "1" when the Enhanced AC-3 stream contains an additional programme carried in independent substream 2.

**substream3\_flag:** This 1-bit field is mandatory. It should be set to "1" to include the optional substream3 field in the descriptor. This flag should be set to "1" when the Enhanced AC-3 stream contains an additional programme carried in independent substream 3.

**component\_type:** This optional 8-bit field indicates the type of audio carried in independent substream 0 of the Enhanced AC-3 elementary stream. It is set to the same value as the component type field of the component descriptor (see table D.1).

**bsid:** This optional 8-bit field indicates the Enhanced AC-3 coding version. The three MSBs should always be set to "0". The five LSBs are set to the same value as the bsid field in the Enhanced AC-3 elementary stream, "10000" (= 16) in the current version of Enhanced AC-3.

**mainid:** This optional 8-bit field identifies a main audio service and contains a number in the range 0 to 7 which identifies a main audio service. Each main service should be tagged with a unique number. This value is used as an identifier to link associated services with particular main services.

**asvc:** This 8-bit field is optional. Each bit (0 to 7) identifies with which main service(s) this associated service is associated. The left most bit, bit 7, indicates whether this associated service may be reproduced along with main service number 7. If the bit has a value of 1, the service is associated with main service number 7. If the bit has a value of 0, the service is not associated with main service number 7.

**substream1:** This optional 8-bit field indicates the type of audio carried in independent substream 1 of the Enhanced AC-3 elementary stream. The value assignments of each bit are indicated in table D.8.

**substream2:** This optional 8-bit field indicates the type of audio carried in independent substream 2 of the Enhanced AC-3 elementary stream. The value assignments of each bit are indicated in table D.8.

**substream3:** This optional 8-bit field indicates the type of audio carried in independent substream 3 of the Enhanced AC-3 elementary stream. The value assignments of each bit are indicated in table D.8.

**additional\_info\_byte:** These optional bytes are reserved for future use.

**Table D.8: Substream1-3 field bit value assignments**

substream1-3 bits	Description
b7 (MSB)	Mixing metadata flag (see table D.9)
b6	Full service flag (see table D.3)
b5 to b3	Service type flags (see table D.4)
b2 to b0	Number of channels flags (see table D.10)

If values of the substream1, substream2 or substream3 fields other than those shown in table D.8 are conveyed, the respective substream field may be ignored.

**Table D.9: Mixing metadata flag**

mixing metadata flag b7	Description
0	No mixing metadata present in substream
1	Mixing metadata present in substream

**Table D.10: Number of channels flags**

number of channels flags			Description
b2	b1	b0	
0	0	0	Mono
0	0	1	1+1 Mode
0	1	0	2 channel (stereo)
0	1	1	2 channel Surround encoded (stereo)
1	0	0	Multichannel audio (> 2 channels)
1	0	1	Multichannel audio (> 5.1 channels)
1	1	0	reserved for future use
1	1	1	reserved for future use

---

## D.6 AC-4 descriptor

The AC-4 descriptor identifies an AC-4 audio elementary stream that has been coded in accordance with [61]. The intended purpose is to provide configuration information for the IRD.

The descriptor shall be included in a program map section at most once in each relevant ES\_info descriptor loop which describes an elementary stream carrying AC-4 audio, coded in accordance with [61].

The inclusion of the AC-4 TOC, as defined in [61], is optional.

---

## D.7 AC-4 descriptor syntax and semantics

The AC-4 descriptor (see table D.11) uses the extension descriptor syntax according to clause 6.2.16. The combination of descriptor\_tag and descriptor\_tag\_extension provides a unique identification of the presence of an AC-4 elementary stream.

The AC 4 descriptor is used in the PSI PMT to identify streams which carry AC-4 audio. The descriptor shall be included in a program map section at most once in each relevant ES\_info descriptor loop.

The minimum length of the AC-4 descriptor, as given by the descriptor\_length field, is 2 bytes.

However, the descriptor may be longer depending upon the inclusion of optional fields, such as channel mode, the dialog enhancement flag, the AC-4 TOC and the additional info loop.

Table D.11: AC-4 descriptor syntax

Syntax	Number of bits	Identifier
ac-4_descriptor() {		
descriptor_tag	8	uimsbf
descriptor_length	8	uimsbf
descriptor_tag_extension	8	uimsbf
ac4_config_flag	1	uimsbf
ac4_toc_flag	1	uimsbf
reserved_future_use (see note)	6	bslbf
if (ac4_config_flag == 1) {		
ac4_dialog_enhancement_enabled	1	uimsbf
ac4_channel_mode	2	uimsbf
reserved_future_use (see note)	5	bslbf
}		
if (ac4_toc_flag == 1) {		
ac4_toc_len	8	uimsbf
for (i=0;i<N;i++) {		
ac4_dsi_byte	8	bslbf
}		
}		
for (i=0;i<N;i++) {		
additional_info_byte	8	bslbf
}		
}		
NOTE: The reserved_future_use fields defined above have all their bits set to a value of '0'.		

#### Semantics for the AC-4 descriptor:

**ac4\_config\_flag:** This 1-bit field indicates the presence of the ac4\_channel\_mode and the ac4\_dialog\_enhancement\_enabled fields. This field shall be set to one if these optional fields are included in the descriptor.

**ac4\_toc\_flag:** This 1-bit field indicates the presence of the AC-4 TOC. This field shall be set to one if the optional AC-4 TOC is included in the descriptor.

**ac4\_dialog\_enhancement\_enabled:** This 1-bit field shall be set to one if dialog enhancement information is carried in the bitstream, and to zero otherwise. The ac4\_dialog\_enhancement\_enabled field shall only be present if the ac4\_config\_flag is set to one.

**ac4\_channel\_mode:** This field indicates the channel mode and shall be coded according to table D.12. The ac4\_channel\_mode field shall only be present if the ac4\_config\_flag is set to one.

Table D.12: ac4\_channel\_mode coding

ac4_channel_mode	Description
0	Mono content
1	Stereo content
2	Multichannel content
3	Reserved for future use

**ac4\_toc\_len:** This 8-bit field shall only be present if the ac4\_toc\_flag is set to 1. If it is non-zero, the ac4\_dsi data field shall be as defined in [61].

**ac4\_dsi\_byte:** This is an 8 bit field. The sequence of ac4\_dsi\_byte fields specifies the ac4\_dsi field, which contains the AC-4 TOC as defined in [61]. The ac4\_dsi field shall only be present if the ac4\_toc\_len is present, and has a value greater than zero. The information contained in the ac4\_dsi structure shall not be used to configure the AC-4 decoder. The AC-4 decoder shall obtain its configuration only from the AC-4 elementary stream.

**additional\_info\_byte:** These optional bytes are reserved for future use.

---

## Annex E (normative): Usage of the Scrambling\_descriptor

- Mixing of different scrambling modes within the same Transport Stream:

This situation may occur when a TS is made by multiplexing two or more independent TS streams.

- Mixing of different scrambling modes within the same service at the same time:

This is not allowed. The same mode shall be used by all scrambled components of a service at the same time.

- Change of scrambling mode over time for a given service (e.g. from event to event):

This situation may occur at any time, for instance when broadcasting events that were stored in scrambled mode or when inserting a local programme. Transitions should not be expected to be seamless.

---

## Annex F (informative): ISO 639 Language Descriptor for "original audio" Soundtrack

Where audio in two languages is broadcast, ETSI TS 101 154 [9] specifies the order in which the ISO 639 Language Descriptors [18] will be used in order to associate a language with its respective audio channel. In some cases, broadcasters may wish to signal that one of the channels contains the audio in the original language of the source, without specifying the exact language being used. This "original audio" language may be signalled with an ISO 639 language code of "qaa", from the "local use" area of ISO 639 [42].

---

# Annex G (normative): Service information implementation of DTS® coded audio in DVB systems

## G.0 Introduction

This annex describes the implementation and implementation guidelines for DVB Service Information for conveying DTS® and DTS-HD® coded audio elementary streams within a DVB transport stream.

The transmission of DTS® and DTS-HD® coded audio streams is optional in DVB systems, as specified in ETSI TS 101 154 [9]. However, if either DTS® or DTS-HD® coded audio streams are transmitted in a DVB system the specifications in this annex shall be followed.

---

## G.1 DTS® and DTS-HD® Audio descriptors

The DTS\_descriptor identifies a DTS® coded audio elementary stream that has been coded in accordance with ETSI TS 102 114 [12] for a core substream. If an extension substream is present, as described in clause 7 of ETSI TS 102 114 [12], then the DTS-HD® descriptor is used to identify the coded audio stream. In systems supporting the DTS-HD® descriptor, use of the DTS® descriptor is deprecated and the DTS-HD® descriptor is used to identify DTS® and DTS-HD® audio streams. The intended purpose is to provide configuration information for the IRD.

Either a DTS descriptor or a DTS-HD® descriptor shall be included in a program map section in each relevant ES\_info descriptor loop which describes an elementary stream containing DTS® or DTS-HD® coded audio coded in accordance with ETSI TS 102 114 [12].

The descriptor tag provides a unique identification of the presence of either DTS® or DTS-HD® coded elementary streams. Other optional fields in the descriptor may be used to provide identification of the component type mode of the DTS® or DTS-HD® audio coded in the stream (component\_type field).

---

## G.2 DTS® Descriptor

### G.2.0 Use of the DTS® descriptor

The DTS® descriptor (see table G.1) is used in the PSI PMT to identify streams which carry DTS® audio. The descriptor shall be included in a program map section at most once in each relevant ES\_info descriptor loop. If a DTS® descriptor is present, a DTS-HD® descriptor shall not be present in the same descriptor loop.

### G.2.1 Syntax and semantics for the DTS® descriptor

The DTS® audio descriptor is shown in table G.1. It is optional that the IRD decodes the DTS® audio descriptor.

**Table G.1: DTS® Audio Descriptor**

Syntax	Number of Bits	Mnemonic
DTS_audio_stream_descriptor(){		
descriptor_tag	8	uimsbf
descriptor_length	8	uimsbf
sample_rate_code	4	bslbf
bit_rate_code	6	bslbf
nblks	7	bslbf
fsize	14	uimsbf
surround_mode	6	bslbf
lfe_flag	1	uimsbf
extended_surround_flag	2	uimsbf
for(i=0;i<N;i++){		
additional_info_byte	8	bslbf
}		
}		

**sample\_rate\_code:** This 4-bit field is equivalent to SFREQ in DTS® Coherent Acoustics. Specification and details are listed in table G.2. While broadcasters may use only a subset of these the complete table is given for consistency with the DTS® Coherent Acoustics specification as defined in ETSI TS 102 114 [12].

**Table G.2: Sample Rate Code**

sample_rate_code	Sample Rate
0000	Invalid
0001	8 kHz
0010	16 kHz
0011	32 kHz
0100	64 kHz
0101	128 kHz
0110	11,025 kHz
0111	22,05 kHz
1000	44,1 kHz
1001	88,02 kHz
1010	176,4 kHz
1011	12,kHz
1100	24 kHz
1101	48 kHz
1110	96 kHz
1111	192 kHz

**bit\_rate\_code:** The specification and details of typical broadcast bit\_rate\_code are listed in table G.3. While broadcasters may use only a subset of these, the complete table of fixed transmission bit rate values is given for consistency with the DTS® Coherent Acoustics specification as defined in ETSI TS 102 114 [12].

NOTE: It is recommended that DTS® 5.1 compressed audio streams be transmitted at data rate of 384 kbps or above.

Table G.3: Bit Rate Table

bit_rate_code	Transmission bit rate
x00101	128 kbps
x00110	192 kbps
x00111	224 kbps
x01000	256 kbps
x01001	320 kbps
x01010	384 kbps
x01011	448 kbps
x01100	512 kbps
x01101	576 kbps
x01110	640 kbps
x01111	768 kbps
x10000	960 kbps
x10001	1 024 kbps
x10010	1 152 kbps
x10011	1 280 kbps
x10100	1 344 kbps
x10101	1 408 kbps
x10110	1 411,2 kbps
x10111	1 472 kbps
x11000	1 536 kbps
x11001	1 920 kbps
x11010	2 048 kbps
x11011	3 072 kbps
x11100	3 840 kbps
x11101	open
x11110	variable
x11111	lossless
NOTE:	"x" indicates that the bit is reserved and should be ignored.

**nblks:** This 7-bit word is equivalent to NBLKS in listed in ETSI TS 102 114 [12]. This equals the number of PCM Sample Blocks. It indicates that there are (NBLKS+1) blocks (a block = 32 PCM samples per channel, corresponding to the number of PCM samples that are fed to the filterbank to generate one subband sample for each subband) in the current frame. The actual encoding window size is  $32 \times (\text{NBLKS} + 1)$  PCM samples per channel. Valid range: 5 to 127. Invalid range: 0 to 4. For normal frames, this indicates a window size of either 2 048, 1 024, or 512 samples per channel. For termination frames, NBLKS can take any value in its valid range.

**Fsize:** This 14-bit word is equivalent to FSIZE listed in ETSI TS 102 114 [12]. (FSIZE + 1) is the byte size of the current primary audio frame. The valid range for fsize is 95 to 8 192. The invalid range for fsize is 0 to 94, 8 193 to 16 384.

**surround\_mode:** This 6-bit word is equivalent to AMODE in DTS® Coherent Acoustics Specification. The values for surround\_mode are given in table G.4. While broadcasters may use only a subset of these the complete table is given for consistency in ETSI TS 102 114 [12], table 5.4.



Table G.4: Surround Mode

surround_mode	Number of Channels/Channel Layout
000000	1 / mono
000010	2 / L + R (stereo)
000011	2 / (L+R) + (L-R) (sum-difference)
000100	2 / LT +RT (left and right total)
000101	3 / C + L + R
000110	3 / L + R+ S
000111	4 / C + L + R+ S
001000	4 / L + R+ SL+SR
001001	5 / C + L + R+ SL+SR
001010	User defined
001011	User defined
001100	User defined
001101	User defined
001110	User defined
001111	User defined
010000 to 111111	User defined
NOTE: L =left, R = right, C =centre, SL = surround left, SR = surround right, T = total.	

**lfe\_flag:** The lfe flag is set to 0 when the LFE (Low Frequency Effects) audio channel is OFF. The flag is set to 1 when the LFE audio channel is ON.

**extended\_surround\_flag:** The extended\_surround\_flag indicates the presence of DTS® ES rear centre audio as defined in ETSI TS 102 114 [12]. Its values are given in table G.5.

Table G.5: extended\_surround\_flag values

extended_surround_flag	Description
00	No Extended Surround
01	Matrixed Extended Surround
10	Discrete Extended Surround
11	Undefined

**additional\_info\_byte:** This is an 8-bit field. The sequence of additional\_info\_byte fields specifies the additional\_info field. The syntax and semantics of the additional\_info field are defined ETSI TS 102 114 [12].

## G.3 DTS-HD® descriptor

### G.3.1 DTS-HD® descriptor syntax

Only one instance of the DTS-HD® audio descriptor shall be included in each relevant ES\_info descriptor loop in the TS\_program\_map\_section. If a DTS-HD® descriptor is present, a DTS® descriptor shall not be present in the same descriptor loop.

Note that when both core and extension substreams are present, the core substream descriptor values are valid for the core as an independent asset in the event that an IRD can only decode the core substream.

The DTS-HD® audio descriptor is shown in table G.6. It is optional that the IRD decodes the DTS-HD® audio descriptor.

Table G.6: DTS-HD® audio stream descriptor

Syntax	Number of bits	Identifier
DTS-HD_audio_stream_descriptor() {		
descriptor_tag	8	uimsbf
descriptor_length	8	uimsbf
descriptor_tag_extension	8	uimsbf
substream_core_flag	1	bslbf
substream_0_flag	1	bslbf
substream_1_flag	1	bslbf
substream_2_flag	1	bslbf
substream_3_flag	1	bslbf
reserved_future_use	3	bslbf
if (substream_core_flag == 1) {		
substream_info()		
}		
if (substream_0_flag == 1) {		
substream_info()		
}		
if (substream_1_flag == 1) {		
substream_info()		
}		
if (substream_2_flag == 1) {		
substream_info()		
}		
if (substream_3_flag == 1) {		
substream_info()		
}		
for (i=0; i<N; i++) {		
additional_info_byte	8	bslbf
}		
}		

#### Semantics for the DTS-HD® audio stream descriptor:

**substream\_core\_flag:** This 1-bit field is set to 1 if a core substream is present.

**substream\_0\_flag:** This 1 field is set to 1 if an extension substream with nuExtSSIndex = 0 exists in the audio stream.

**substream\_1\_flag:** This 1-bit field is set to 1 if an independent extension substream with nuExtSSIndex = 1 exists in the audio stream.

**substream\_2\_flag:** This 1-bit field is set to 1 if an independent extension substream with nuExtSSIndex = 2 exists in the audio stream.

**substream\_3\_flag:** This 1-bit field is set to 1 if an independent extension substream with nuExtSSIndex = 3 exists in the audio stream.

**substream\_info():** This field is coded according to clause G.3.2.

**additional\_info\_byte:** This 8-bit field is optional and reserves a place for future expansion of this descriptor.

### G.3.2 Substream information

The substream\_info field is described in table G.7.

Table G.7: Substream information

Syntax	Number of bits	Identifier
substream_info() {		
substream_length	8	uimsbf
num_assets	3	uimsbf
channel_count	5	uimsbf
LFE_flag	1	bslbf
sampling_frequency	4	uimsbf
sample_resolution	1	bslbf
reserved_future_use	2	bslbf
for (i=0; i<N; i++) {		
asset_info()		
}		
}		

**Semantics for the substream\_info:**

**substream\_length:** This 8-bit field specifies the total number of bytes following the substream\_length field in the substream structure, including the embedded asset structures.

**num\_assets:** This 3-bit field represents the number of audio assets stored in the substream. The number of audio assets stored in the substream is equal to num\_assets+1. For a core substream, num\_assets is always 0. For all independent extension substreams, this value is identical to nuNumAssets in the extension substream header.

**channel\_count:** This 5-bit field represents the maximum number of output channels including LFE (if present). Note that channel\_count represents the maximum number of channels after all relevant assets are mixed together in multi-asset presentations and may be less than or equal to the number of channels of all assets combined.

**LFE\_flag:** This is a 1-bit field that is set to 1 if this substream contains an LFE channel.

**sampling\_frequency:** This 4-bit field represents the audio sampling frequency. Use table G.8 to determine the maximum sampling frequency stored in the elementary stream. Note that not all values in the table are valid for the substream\_core parameter.

Table G.8: sampling\_frequency

sampling_frequency	Sampling Frequency in kHz
0	8
1	16
2	32
3	64
4 (see note)	128
5	22,05
6	44,1
7	88,2
8 (see note)	176,4
9 (see note)	352,8
10	12
11	24
12	48
13	96
14 (see note)	192
15 (see note)	348
NOTE:	The indicated sampling frequencies are not to be used with a core substream.

**sample\_resolution:** This 1-bit field is set to 1 if the decoded audio sample resolution is more than 16-bits. Otherwise, this field is set to 0.

**asset\_info():** This field is coded according to clause G.3.3. It appears as many times as indicated by the num\_assets field.

### G.3.3 Asset information

The `asset_info()` field is described in table G.9.

**Table G.9: Asset information**

Syntax	Number of bits	Identifier
<code>asset_info() {</code>		
<code>asset_construction</code>	5	uimsbf
<code>vbr_flag</code>	1	bslbf
<code>post_encode_br_scaling_flag</code>	1	bslbf
<code>component_type_flag</code>	1	bslbf
<code>language_code_flag</code>	1	bslbf
<code>if (post_encode_br_scaling_flag == 1) {</code>		
<code>bit_rate_scaled</code>	13	bslbf
<code>}</code>		
<code>else {</code>		
<code>bit_rate</code>	13	uimsbf
<code>}</code>		
<code>reserved_future_use</code>	2	bslbf
<code>if (component_type_flag == 1) {</code>		
<code>component_type</code>	8	bslbf
<code>}</code>		
<code>if (language_code_flag == 1) {</code>		
<code>ISO_639_language_code</code>	24	bslbf
<code>}</code>		
<code>}</code>		

#### Semantics for the `asset_info()`:

**asset\_construction:** This 5-bit field provides details about the internal construction of the audio stream and is interpreted according to table G.10.

Table G.10: Asset construction

asset_construction	Core substream				asset_construction	Extensions substream					
	Core	XCH	X96	XXCH		Core	XXCH	X96	XBR	XLL	LBR
1	X				1						
2	X	X			2						
3	X			X	3						
4	X		X		4						
5	X				5		X				
6	X				6				X		
7	X	X			7				X		
8	X			X	8				X		
9	X				9		X		X		
10	X				10			X			
11	X	X			11			X			
12	X			X	12			X			
13	X				13		X	X			
14	X				14					X	
15	X	X			15					X	
16	X		X		16					X	
17					17					X	
18					18						X
19					19	X					
20					20	X	X				
21					21	X				X	

**vbr\_flag:** This 1-bit field is set to 1 only when the audio asset has a variable bit rate.

**post\_encode\_br\_scaling\_flag:** This 1-bit field is set to 1 if scaling of the bit stream has occurred after it was encoded, otherwise this field is set to 0.

**component\_type\_flag:** This 1-bit field is set to 1 if the field component\_type is present.

**language\_code\_flag:** This 1-bit field is set to 1 when ISO\_639\_language\_code field is present.

**bit\_rate\_scaled:** This 13-bit field represents the scaled bit rate of the coded elementary stream as a 10,3 unsigned fractional fixed point value. This field exists in the descriptor when post\_encode\_br\_scaling\_flag = 1.

If the stream is variable bit rate, and dynamically updating the bit rate field is not possible or practical due to system limitations, or exceeds 8191 kbits/s, then bit\_rate\_scaled is set to 0.

**bit\_rate:** This 13-bit field is an unsigned integer representing the bit rate of the coded elementary stream in kbits/s, ranging from 1 to 8 191 kbits/s. This field exists in the descriptor when post\_encode\_br\_scaling\_flag = 0.

If the stream is variable bit rate, and dynamically updating the bit rate field is not possible or practical due to system limitations, then bit\_rate is set to 0.

**component\_type:** This field is coded according to clause G.3.4.

**ISO\_639\_language\_code:** This 24-bit language code conforms to the ASCII language codes described in ISO/IEC 639 [42].

## G.3.4 Component type

The `component_type` is an 8-bit field that specifies the type of the audio component as described in table G.11.

**Table G.11: Component type**

component_type bits	Description
b7 (MSB)	reserved
b6	full service flag (see table G.12)
b5 to b3	service type flags (see table G.13)
b2 to b0	number of channels flags (see table G.14)

**Table G.12: Full service flag**

full service flag (b6)	Description
0	Decoded audio stream is intended to be combined with another decoded audio stream before presentation
1	Decoded audio stream is a full service (suitable for decoding and presentation to the listener)

**Table G.13: Service type flags**

service type flags				Restrictions	
b2	b1	b0		full service flag (b6)	number of channels flags (b2 to b0)
0	0	0	Complete Main (CM)	always set to 1	
0	0	1	Music and Effects (ME)	always set to 0	
0	1	0	Visually Impaired (VI)		
0	1	1	Hearing Impaired (HI)		
1	0	0	Dialogue (D)	always set to 0	
1	0	1	Commentary (C)		always set to 000
1	1	0	Emergency (E)	always set to 1	always set to 000
1	1	1	Voiceover (VO)	always set to 0	always set to 000
1	1	1	Reserved	always set to 1	

NOTE: The values of the service type flags are only valid if the conditions identified in the restrictions column are satisfied.

**Table G.14: Number of channels flags**

number of channels flags			Description
b2	b1	b0	
0	0	0	Mono
0	0	1	Reserved
0	1	0	2 channel (stereo, LoRo)
0	1	1	2 channel matrix encoded (stereo, LtRt)
1	0	0	Multichannel audio (>2 channels)
1	0	1	Reserved
1	1	0	Reserved
1	1	1	Reserved

---

## G.4 Use of DTS-HD® in Receiver Mixed Applications for Single PID and Multiple PID Implementations

For applications where audio is being mixed in the receiver, DTS-HD® can accommodate two methods of asset delivery:

- Multiple PID delivery, where each PID is delivering a single asset.

For multiple PID delivery, the DTS-HD® stream contains a single asset and a component descriptor in the PMT loop. In this case, `component_type_flag` and `language_code_flag` may be set to 0, thus disabling the respective fields. If the respective flags are enabled, the corresponding values need to agree with the component descriptor in the PMT loop.

- Single PID delivery, where all assets are combined into a single multi-asset DTS-HD® audio stream.

For single PID delivery where multiple assets are delivered in a single DTS-HD® bitstream, multiple `asset_info()` components exist in the DTS-HD® descriptor. In this case, the `component_type` flag and `language_code_flag` are normally set, thus enabling the respective fields for each asset. The receiver can select which program combination is to be mixed and presented. The component descriptor in the PMT loop describes the default complete main presentation as configured by the broadcaster.

---

# Annex H (normative): Service information implementation of AAC coded audio in DVB systems

## H.0 Introduction

This annex describes the implementation and implementation guidelines for DVB Service Information for conveying AAC coded audio elementary streams within a DVB transport stream.

The transmission of AAC coded audio streams is optional in DVB systems, as specified in ETSI TS 101 154 [9]. However, if AAC coded audio streams are transmitted in a DVB system the specifications in this annex shall be followed.

---

## H.1 AAC Audio descriptor

The AAC\_descriptor identifies an AAC coded audio elementary stream that has been coded in accordance with ISO/IEC 14496-3 [21]. The intended purpose is to provide configuration information for the IRD.

The descriptor shall be included in a program map section at most once in each relevant ES\_info descriptor loop which describes an elementary stream containing AAC coded audio coded in accordance with ISO/IEC 14496-3 [21].

The descriptor tag provides a unique identification of the presence of the AAC coded elementary stream. Other optional fields in the descriptor may be used to provide identification of the component type mode of the AAC audio coded in the stream (AAC\_type field).

---

## H.2 AAC descriptor

### H.2.0 Use of the AAC descriptor

The AAC descriptor (see table H.1) is used in the PSI PMT to identify streams which carry AAC audio. The descriptor shall be included in a program map section at most once in each relevant ES\_info descriptor loop.

### H.2.1 Syntax and semantics for the AAC descriptor

The AAC\_descriptor provides information about individual MPEG-4 AAC, MPEG-4 HE AAC and MPEG-4 HE AAC v2 elementary streams to be identified in the PSI PMT sections. The descriptor shall be included in a program map section at most once in each relevant ES\_info descriptor loop which describes an elementary stream containing MPEG-4 AAC, MPEG-4 HE AAC or MPEG-4 HE AAC v2 audio.



Table H.1: AAC descriptor syntax

Syntax	Number of Bits	Identifier
<pre> AAC_descriptor(){   descriptor_tag   descriptor_length   profile_and_level   if (descriptor_length &gt; 1){     AAC_type_flag     SAOC_DE_flag     reserved_future_use (see note)     if (AAC_type_flag == 1){       AAC_type     }     for(i=0;i&lt;N;i++){       additional_info_byte     }   } } </pre>	<p>8</p> <p>8</p> <p>8</p> <p>1</p> <p>1</p> <p>6</p> <p>8</p> <p>8</p>	<p>uimsbf</p> <p>uimsbf</p> <p>uimsbf</p> <p>bslbf</p> <p>bslbf</p> <p>bslbf</p> <p>uimsbf</p> <p>uimsbf</p>
<p>NOTE: The reserved_future_use fields defined above have all their bits set to a value of '0'.</p>		

**Semantics for the AAC descriptor:**

**profile\_and\_level:** This 8-bit field specifies the Profile and Level used in MPEG-4 AAC, MPEG-4 HE AAC or MPEG-4 HE AAC v2. This field is set to the Profile and Level according to table 2-71 in ISO/IEC 13818-1:2007/AMD1 [18].

**AAC\_type\_flag:** This 1-bit field indicates the presence of the **AAC\_type** field. This bit is set to "1" if the optional AAC\_type field is included in the descriptor.

**SAOC\_DE\_flag:** This 1-bit flag indicates the presence of embedded SAOC-DE parametric data in AAC audio ancillary data and PES\_private\_data according to table H.2.

Table H.2: SAOC\_DE\_flag semantics

SAOC_DE_flag	parametric data in AAC audio ancillary data	parametric data in PES_private_data (see note)
0	shall not be present	shall not be present
1	SAOC-DE parametric data shall be present	DE_control_data may be present
<p>NOTE: PES_private_data within the PES packet header of the audio component as defined in ETSI TS 101 154 [9] clause E.7.2.</p>		

**reserved\_future\_use:** This 6-bit field is reserved for future use and are all set to "0".

**AAC\_type:** This field is set according to table 26 to the value of the component\_type field when stream\_content is 0x06. This field shall not be set to 0xA0.

**additional\_info\_byte:** This is an 8-bit field. The sequence of additional\_info\_byte fields specifies the additional\_info field. The syntax and semantics of the additional\_info field may be defined in future versions of the present document.

---

# Annex I (normative): Assignment and interpretation of the service\_type field

## I.1 Background

The service\_type field is present within both the service\_descriptor and service\_list\_descriptor and is used to specify the type of a service. The intention of this field is to allow the service provider to describe the nature of the service, e.g. broadcast television, on-demand television, broadcast radio, data broadcast.

This information is deliberately provided at a very high-level within DVB Service Information (SI) to allow the receiver to make some decisions as soon as possible after the discovery of a service (through re-scan or some other mechanism) about how, and indeed whether, to present the service to the viewer for selection.

For example, information provided by the service\_type field about the nature of a service can be used to group services into dedicated service lists for presentation to the viewer, e.g. separate television and radio lists.

The service\_type field is not meant to override information provided at lower levels within SI or within PSI, such as the assignment of stream\_type for a component within the PMT or the actual coding within the component itself, particularly with respect to the decoding and presentation of components of a service. It is provided because such low-level information may be difficult to interpret, slow to acquire, or (in the case of time-exclusive services) not even present at the time of service discovery.

NOTE: The receiver may also consider other factors, such as conditional access, when making such decisions. However, this is beyond the scope of the present document.

Broadcasters are recommended to use newly introduced service types when services are not intended to be listed on older receivers, and to use existing service types when services are intended to be listed on older receivers.

---

## I.2 Assignment of service\_type

### I.2.0 Introduction

For some services the assignment of a service\_type from table 87 may be obvious, e.g. MPEG-2 HD digital television service. However, the decision is not always so straightforward.

#### I.2.1 service\_type "digital television service" (0x01)

In the generic case this service\_type provides no explicit indication to the receiver about the way in which the components of a service have been encoded.

NOTE 1: Of course, in the case of a specific platform a particular encoding could be implicitly linked to this service\_type and so inferred by the receiver. However, any such arrangement is beyond the scope of the present document.

As indicated by note 1 for table 87, this service\_type should be used for MPEG-2 SD digital television service. However, it may also be used for services using other encodings, including encodings that have a specific entry elsewhere in table 87, e.g. MPEG-2 HD digital television service.

NOTE 2: DVB has deliberately not refined the definition of this service\_type from "digital television service" to "MPEG-2 SD digital television service" due pre-existing use in the context of other (non-MPEG-2 SD) encodings.

On the assumption that all receivers will be able to decode and present MPEG-2 SD encoded material, all receivers will present any service assigned this service\_type to the viewer for selection on the basis that it may be MPEG-2 SD coded material. However, as described above, this may not be the case and the receiver may not support the actual encoding used. This inability for the receiver to determine whether or not it will actually be able to decode and present a service assigned this service\_type means that the service provider needs to allocate it with care depending on the viewer experience it wishes to achieve.

**EXAMPLE:** Consider a platform where some services are based on MPEG-2 SD encoding and others are based on MPEG-2 HD encoding, both of which are delivered to a mixed population of MPEG-2 SD-only and MPEG-2 SD/HD receivers.

For a service based on MPEG-2 SD encoding the assignment of `service_type` is obvious: 0x01 ("digital television service").

However, for a service based on MPEG-2 HD encoding the assignment of `service_type` depends on whether the service provider wants the service to be included in any service list presented to viewers of MPEG-2 SD-only receivers, even though they will not actually be able to view the service if selected. If this is the desired viewer experience then the service should be allocated `service_type` 0x01 ("digital television service"). If, however, the desired viewer experience is only to list services that the viewer of an MPEG-2 SD-only receiver will actually be able to view then the service should be allocated `service_type` 0x11 ("MPEG-2 HD digital television service").

This `service_type` may also be allocated to a service that contains both an MPEG-2 SD encoding and an alternative encoding (e.g. an MPEG-4 HD) of the same material. This is reasonable on the assumption that all receivers will be able to decode and present MPEG-2 SD encoded material, hence the viewer will at least be presented with the MPEG-2 SD coded form. However, depending on the capabilities of the receiver in use the viewer may be presented with the alternative, typically superior, coded form.

**NOTE 3:** The components used for the different encodings can be discriminated between at the point of decode by the assigned value(s) for `stream_type` in PSI and/or use of the `component_descriptor` in SI.

## 1.2.2 `service_type` "H.264/AVC" (various)

In previous versions of the present document the H.264/AVC `service_types` were called "advanced codec" and were allocated so as to be able to indicate that the video component of a service had been encoded using something other than MPEG-2. However, many IRD implementations had assumed such services would always contain an H.264/AVC video component. To avoid confusion the service types have been renamed to indicate H.264/AVC only.

The H.264/AVC service types shall hence only be used for services that provide an H.264/AVC video component. They may also be used with newer codecs, provided the service includes a video component which is backwards compatible with an H.264/AVC IRD.

## 1.2.3 `service_type` "H.264/AVC frame compatible stereoscopic HD" (various)

The H.264/AVC frame compatible stereoscopic HD values allow a broadcaster to signal that a service operates (primarily) as a frame compatible stereoscopic service. The use of these values requires careful consideration of the consequences for legacy receiver populations, which as a result may ignore these services. Therefore, a broadcaster may instead choose to signal a frame compatible stereoscopic service as a normal HD service, and use alternative signalling to indicate that the service (or event) is in a frame compatible stereoscopic format.

Further discussion of the signalling of frame compatible stereoscopic services is provided in ETSI TS 101 547-2 [54].

## 1.2.4 `service_type` "advanced codec digital radio sound service" (0x0A)

The advanced codec digital radio sound `service_type` has been allocated to indicate that an audio service has been encoded using something other than MPEG-1 Layer 2. The assignment of this `service_type` provides a generic indication of the use of some advanced audio codec without stating specifically which one. As such, on its own, it does not fully allow a receiver to determine that it is able to decode and present a service assigned this `service_type`.

**NOTE:** In the case of a specific platform a particular encoding may be implicitly linked to this `service_type` and so inferred by the receiver. However, any such arrangement is beyond the scope of the present document.

Where a service is assigned this `service_type`, the `component_descriptor` should be used to indicate the particular advanced codec used. This allows a receiver to unambiguously determine whether or not it will be able to decode and present the service and handle as appropriate.

## 1.2.5 service\_type "HEVC digital television service" (0x1F)

### 1.2.5.0 General principles

The HEVC digital television service type has been allocated, and can be used for all possible types of an HEVC video service. As such, on its own, it does not fully allow a receiver to determine that it is able to decode a service assigned this service\_type. Where a service is assigned this service\_type, the component\_descriptor shall hence be used to indicate the specific type of the HEVC service. This allows a receiver to unambiguously determine whether or not it will be able to decode and present the service and handle as appropriate.

A component descriptor shall be present in the SDT entry of each HEVC digital television service, using one of those values from table 26, which are listed in table I.1. It is expected that further component descriptor values will be added to table I.1, as further HEVC component types will be defined in table 26 for further HEVC receiver profiles in ETSI TS 101 154 [9].

**Table I.1: Currently defined HEVC component types**

stream_content	stream_content_ext	component_type	Description
0x9	0x0	0x00	HEVC Main Profile high definition video, 50 Hz
		0x01	HEVC Main 10 Profile high definition video, 50 Hz
		0x02	HEVC Main Profile high definition video, 60 Hz
		0x03	HEVC Main 10 Profile high definition video, 60 Hz
		0x04	HEVC ultra high definition video

Since component descriptors when used within the SDT can be used by receivers to build service lists, it is recommended that they only be modified occasionally. There shall not be more than one component descriptor for a service in the SDT from table I.1. If broadcasters wish to indicate a different HEVC profile in use for a particular event it is recommended they signal this via informative component descriptors in the EIT. These SDT component descriptors should indicate the highest HEVC receiver profile that will be used on the service. Such a service may however also contain programmes encoded at a lower profile or resolution. Broadcasters should note that by signalling a particular profile, they may prevent receivers implementing a lower profile from acquiring that service. However, a broadcaster signalling a lower profile than the maximum profile actually used by the service, will result in programmes encoded with such a higher profile not being viewable on lower profile receivers.

### 1.2.5.1 Signalling for service frame compatible plano-stereoscopic 3DTV for HEVC coded services

Table I.4 shows the usage of the attributes specified in previous clauses for the SFC-3DTV service classes listed in clause 4.1 of ETSI TS 101 547-4 [62]. The table is not intended to represent an exhaustive list of possibilities nor specify the only signalling option for each form of 3DTV service. Rather, it is meant as guidance and for raising awareness of possible issues that need to be considered with the deployment of SFC-3DTV services.

The present document describes a single service\_type for HEVC, and uses component descriptors to provide detailed differentiation between the service content. Thus, to signal SFC-3DTV services that are intended to be listed by legacy 2D receivers (i.e. backwards compatible signalling), a combination of a service\_type indicating HEVC, and an SDT component descriptor indicating one of the four high definition HEVC component\_type values as listed in table I.2 is used.

**Table I.2: Currently defined HEVC component descriptors for SFC-3DTV from table 26**

stream_content	stream_content_ext	component_type	Description
0x9	0x0	0x00	HEVC Main Profile high definition video 50 Hz
		0x01	HEVC Main 10 Profile high definition video 50 Hz
		0x02	HEVC Main Profile high definition video 60 Hz
		0x03	HEVC Main 10 Profile high definition video 60 Hz

To signal SFC-3DTV events that are intended to be listed by legacy 2D receivers (i.e. backwards compatible signalling), an additional component descriptor in the EIT is required to indicate the SFC-3DTV is plano-stereoscopic to SFC-3DTV cognisant receivers. This additional component descriptor shall be placed in the EIT. Only one additional component descriptor is currently defined for HEVC SFC-3DTV services and show in table I.3. Other values maybe defined later.

**Table I.3: Currently defined HEVC plano-stereoscopic frame-packing component descriptors from table 26**

stream_content	stream_content_ext	component_type	Description
0xB	0xF	0x03	plano-stereoscopic top and bottom (TaB) frame-packing

NOTE: Information about the current coding parameters of SFC-3DTV video is provided at the elementary stream level as specified in ETSI TS 101 547-4 [62] and ETSI TS 101 154 [9].

IRDs already existing in the field might not recognize the newly defined SFC-3DTV signalling, and this legacy may be supported through the video level signalling as described in clause 5.14.1.5.6 of ETSI TS 101 154 [9], in which case a 2D picture may be extracted from the 3D content by receivers supporting the HEVC default display window.

**Table I.4: Summary of service compatible frame compatible plano-stereoscopic 3DTV service signalling scenarios**

Service Category	service_type	SDT	EIT	Comment
		Component descriptors	Component descriptors	
Occasional 3DTV service	0x1F (HEVC)	One from table I.2 (see note)	For 3DTV events one SFC-3DTV related from table I.3 (see note); other component descriptors may be present, including multiple for the same elementary stream	This is the recommended signalling; 3DTV events are signalled via EIT
NOTE: SFC-3DTV signalling requires two component descriptors, one in the SDT, and one in the EIT that might be modified on an event basis. The component descriptor in the SDT indicates the type of HEVC video using stream_content set to 0x9, stream_content_ext set to 0x0, and the component_type set to a value in the range 0x00 to 0x03. The plano-stereoscopic top and bottom (TaB) frame-packing format is indicated by an additional component descriptor in the EIT with stream_content 0xB, stream_content_ext 0xF, and component_type 0x03.				

---

# Annex J (normative): Signalling of Supplementary Audio

## J.1 Overview

The supplementary audio descriptor provides additional information about audio streams to allow a receiver to present the audio to the user in the appropriate way. The supplementary audio descriptor can also be used to describe non-supplementary audio components.

The supplementary audio descriptor can override the language code in the ISO\_639\_language\_descriptor [18] or other descriptors in the same ES loop of a PMT. This is commonly used where the language code in the ISO\_639\_language\_descriptor is set to aid legacy receivers. In such cases the more accurate language code is conveyed in the supplementary audio descriptor.

For legacy receivers, the ISO\_639\_language\_descriptor may also continue to be carried.

Three mechanisms are defined for the provision of supplementary audio (for example audio description):

- receiver-mix,
- broadcast-mix, and
- parametric data stream.

In the first two cases, the audio exists as two separate audio recordings, one recording is a complete and independent audio, the other is an additional audio recording, that will only be listened to by the viewer when mixed with the complete and independent audio. A broadcaster then broadcasts a complete and independent audio, and in addition one or both of the following two options:

- 1) the broadcaster transmits an extra audio component which is a mix of the complete and independent audio, and the additional audio recording. This is called broadcast-mix audio;
- 2) the broadcaster transmits the additional audio recording as an extra audio component (known as dependent audio) because it is intended to be mixed with a complete and independent audio stream by the receiver. This is called receiver-mix audio.

SAOC-DE parametric data streams are described further in clause J.5.

This annex defines the signalling in each case to enable the receiver to present the correct audio to the user.

---

## J.2 Receiver-mix supplementary audio

### J.2.1 Introduction

Receiver-mix audio allows receivers to give the listener control over the relative levels of the mix, to improve intelligibility. Where it is important to conserve bit rate, receiver-mix supplementary audio offers the broadcaster a way to provide a useful feature for users without having to broadcast another complete audio channel. However, it requires the receiver to implement two audio decoders and a mixer.

ETSI TS 101 154 [9], annex E defines additional signalling which controls how the receiver mixes the complete and independent audio stream with the dependent audio stream before presentation to the user.

Receivers shall use attributes such as language\_code and editorial\_classification to determine the complete and independent audio stream to mix with a dependent audio stream.

Receiver mixing of audio streams shall apply the following restrictions, which depend on values signalled in the supplementary audio descriptor:

- A dependent stream (mix\_type 0) shall only be mixed with a complete and independent stream (mix\_type 1).

- A dependent stream with audio description for the visually impaired (editorial\_classification 0x01) shall only be mixed with a complete and independent stream associated with the same language code. For other editorial classifications, the dependent and complete and independent streams may use different language codes.
- An audio stream with an editorial\_classification in the range 0x00 to 0x16 (inclusive) shall not be mixed with another stream which has the same editorial classification as itself, regardless of whether it is either a dependent, or a complete and independent stream.

NOTE: It is, for example, hence not allowed to mix a broadcast-mix spoken subtitles stream with a dependent spoken subtitles stream.

Note that ETSI TS 101 154 [9] specifies that in the case of receiver-mix, the main audio and the dependent audio shall be encoded using the same codec family.

## J.2.2 PSI PMT signalling

When a receiver-mix supplementary dependent stream is present, it shall be signalled in the ES descriptor loop of the PSI PMT with both an ISO\_639\_language\_code in the ISO\_639\_language\_descriptor [18] set to reflect the content of the audio stream and a supplementary\_audio descriptor. The supplementary\_audio descriptor shall set the mix\_type to zero and the editorial\_classification to any appropriate value other than 0. The other fields shall be set according to clause J.4.

A stream\_identifier descriptor should be present.

## J.2.3 EIT signalling

### J.2.3.0 General principles

A component descriptor, with the same value of component\_tag as that used in the PSI PMT stream identifier descriptor of the dependent audio stream, should be present in the descriptor loop in the EIT for each event for which supplementary audio is broadcast.

### J.2.3.1 Visually impaired audio description

As defined in table 26, for visually impaired audio description the values of stream\_content, stream\_content\_ext and component\_type given in table J.1 shall be used.

**Table J.1: Receiver-mix component descriptor values for visually impaired audio description**

Audio coding	stream_content	stream_content_ext	component_type
MPEG-1 Layer 2	0x2	0xF	0x47
Enhanced AC-3	0x4	0xF	0x90 (see note 1)
AC-4	0x9	0x1	0x0C to 0x0D (see note 4)
HE AAC, AAC (see note 3)	0x6	0xF	0x47
HE AAC v2	0x6	0xF	0x49
DTS-HD®	0x7	0xF	0bx0010xxx (see note 2)

NOTE 1: As defined in annex D.

NOTE 2: As defined in clause G.3.4.

NOTE 3: The AAC profile (which includes low-complexity AAC) also uses this type (see clause 6.2.8).

NOTE 4: The component\_type value (defined in clause 6.2.8) is dependent upon the AC-4 coding parameters.

## J.3 Broadcast-mix supplementary audio

### J.3.1 Introduction

Broadcast-mix supplementary audio may be used in broadcast systems where bit rate is available for a separate audio stream or where compatibility with legacy receivers is important. It requires no special handling in the audio decoder of the receiver, however receivers should recognize that this audio stream is different from the main programme audio stream using the information in the ISO\_639\_language\_descriptor and supplementary audio descriptors.

## J.3.2 PSI PMT signalling

When a broadcast-mix supplementary audio stream is present, it shall be signalled in the PSI PMT with a `supplementary_audio` descriptor. The `ISO_639_language_code` field in the `ISO_639_language_descriptor` [18] should be set to reflect the content of the audio stream, however this may be an issue with legacy receivers which do not interpret the `supplementary_audio` descriptor. For this reason, some broadcasters may decide to use a different language code in the `ISO_639_language_code` field (e.g. "NAR" or "qad") in which case the correct language code shall be signalled in the `supplementary_audio_descriptor`. The other fields shall be set according to clause J.4.

A `stream_identifier` descriptor should be present.

## J.3.3 EIT signalling

### J.3.3.0 General principles

A component descriptor, with the same value of `component_tag` as that used in the PSI PMT stream identifier descriptor of the supplementary audio stream, should be present in the descriptor loop in the EIT for each event for which a supplementary audio stream is broadcast.

### J.3.3.1 Visually impaired audio description

As defined in table 26, for visually impaired audio description the values of `stream_content`, `stream_content_ext` and `component_type` given in table J.2 shall be used.

**Table J.2: Broadcast-mix component descriptor values for visually impaired audio description**

Audio coding	stream_content	stream_content_ext	component_type
MPEG-1 Layer 2	0x2	0xF	0x48
AC-3	0x4	0xF	0b01010xxx (see note 1)
Enhanced AC-3	0x4	0xF	0b11010xxx (see note 1)
AC-4	0x9	0x1	0x06 to 0x0B (see note 4)
HE AAC, AAC (see note 3)	0x6	0xF	0x48
HE AAC v2	0x6	0xF	0x4A
DTS®	0x7	0xF	0bx1010xxx (see note 2)
DTS-HD®	0x7	0xF	0bx1010xxx (see note 2)

NOTE 1: 'xxx' is dependent upon the number of channels, as defined in annex D.

NOTE 2: 'xxx' is dependent upon the number of channels, as defined in clause G.3.4.

NOTE 3: The AAC profile (which includes low-complexity AAC) also uses this type (see clause 6.2.8).

NOTE 4: The `component_type` value (defined in clause 6.2.8) is dependent upon the AC-4 coding parameters.

## J.4 PSI signalling of audio purpose

Table J.3 lists the combination of valid parameters that shall be signalled in the PMT. All other combinations are invalid and shall not be used.



**Table J.3: PMT field values for different audio purposes**

Audio purpose	audio_type (see note 1)	mix_type (see note 2)	editorial_classification (see note 2)
Main audio (see note 3)	0x00 or 0x01	1	0x00
Audio description (broadcast-mix)	0x00, 0x01 or 0x03	1	0x01
Audio description (receiver-mix)	0x03	0	0x01
Clean audio (broadcast-mix)	0x02	1	0x02
Parametric data dependent stream (see note 4)	0x02	0	0x04
Spoken subtitles (broadcast-mix)	0x00, 0x01 or 0x03	1	0x03
Spoken subtitles (receiver-mix)	0x03	0	0x03
Unspecific audio for the general audience	any	0 or 1	0x17
user defined	any	0 or 1	0x18 to 0x1F
NOTE 1: audio_type is broadcast in the ISO_639_language_descriptor [18].			
NOTE 2: mix_type and editorial_classification are broadcast in the supplementary_audio descriptor (see clause 6.4.10).			
NOTE 3: The supplementary_audio descriptor is optional in this case.			
NOTE 4: Embedded parametric data shall not be signalled with editorial_classification 0x04.			

## J.5 SAOC-DE parametric data streams

### J.5.1 Introduction

The SAOC-DE parametric data is usually embedded as ancillary data in the audio stream. Alternatively, if the audio codec does not provide such capabilities, the SAOC-DE parametric data may also be conveyed as a separate dependent data stream on a separate component.

When the SAOC-DE parametric data is conveyed in a separate elementary stream, receivers shall use attributes such as language\_code and editorial\_classification to determine which complete and independent audio stream to combine with the dependent SAOC-DE parametric data stream.

Receivers shall apply the following restrictions when combining an audio and a dependent SAOC-DE parametric data stream. The restrictions depend on values signalled in the supplementary audio descriptor:

- A dependent SAOC-DE parametric data stream shall be signalled as mix\_type 0 and shall only be combined with a complete and independent audio stream (mix\_type 1).
- A dependent SAOC-DE parametric data stream shall only be combined with a complete and independent stream associated with the same language code.

### J.5.2 PSI PMT signalling

When a dependent SAOC-DE parametric data stream is present, it shall be signalled in the ES descriptor loop of the PSI PMT with both an ISO\_639\_language\_code in the ISO\_639\_language\_descriptor [42] set to reflect the content of the audio stream, and a supplementary\_audio descriptor. The audio\_type in the ISO\_639\_language\_descriptor shall be set to 0x2. The supplementary\_audio descriptor shall set the mix\_type to zero, and the editorial\_classification to 0x4.

When the SAOC-DE parametric data is embedded as ancillary data in an AAC audio stream, the presence of embedded SAOC-DE shall be signalled using the AAC descriptor defined in clause H.2.1. The ISO\_639\_language\_descriptor [42] and an optional supplementary\_audio descriptor shall be used to reflect the content of the audio stream, but set as if the SAOC-DE parametric data was not present. A supplementary audio descriptor with editorial\_classification 0x4 shall not be used for audio components with embedded SAOC-DE parametric data.

A stream\_identifier descriptor should be present for both dependent, and embedded SAOC-DE parametric data elementary streams.

### J.5.3 EIT signalling

When a dependent SAOC-DE parametric data stream is present, a component descriptor (stream\_content 0x3, stream\_content\_ext 0xF, component\_type 0x80) with the same value of component\_tag as that used in the PSI PMT stream identifier descriptor of the dependent SAOC-DE parametric data stream, should be present in the descriptor loop in the EIT for each event for which the dependent SAOC-DE data stream is broadcast.

When the SAOC-DE parametric data is embedded as ancillary data in an AAC audio stream, a component descriptor (stream\_content 0x6, stream\_content\_ext 0xF, component\_type 0xA0) with the same value of component\_tag as that used in the PSI PMT stream identifier descriptor for the audio stream, should be present in the descriptor loop in the EIT for each event for which the SAOC-DE data stream is broadcast. Additional component descriptors with the same value of component\_tag should also be present to indicate the type of the AAC audio stream itself.

**Table J.4: Use of the component descriptor for SAOC-DE parametric data streams**

<b>Audio coding</b>	<b>stream_content_ext</b>	<b>stream_content</b>	<b>component_type</b>
HE AAC, HE AAC v2, or AAC (see note) with SAOC-DE ancillary data	0xF	0x6	0xA0
Dependent SAOC-DE data stream	0xF	0x3	0x80
NOTE: AAC also uses this type (see clause 6.2.8).			

## Annex K (normative): Extended event linkage descriptor usage

This annex is to explain the valid signalling combinations for the extended event linkage descriptor which is defined in clause 6.2.19.3. Other signalling combinations not specified in this annex are reserved for future use. It is expected this annex will expand as use cases for new signalling combinations become evident.

The extended event linkage descriptor allows a broadcaster to signal linkages between EPG events in the same or different services. The descriptor is added to the EIT of the "source" event and signals a linkage to one or more "destination" events.

As explained in annex I, the exact type of a service cannot be determined using the service\_type alone. So in the following valid use-cases, the description of the type of service (during the event) is described generically rather than by service\_type.

Linkages from an event to itself shall not be used, since receivers can determine the same information from the PSI and SI without the need for an extended event linkage descriptor.

For certain use cases it may be applicable to link from a "source" event to a single "destination" event multiple times, each with a different combination of linkage\_type and link\_type.

The valid signalling combinations of extended event linkage descriptor are shown in table K.1.

**Table K.1: Valid use-cases of extended event linkage descriptor**

Type of source event	Type of destination event	linkage_type (see note 1)	link_type (see note 2)	Use-case
SD	SD	0x0E	0	Link to alternate event instances also in SD.
SD	HD	0x0E	1	Link to event in HD.
SD	FC-3DTV	0x0E	2	Link to event in frame compatible plano-stereoscopic.
SD	SC-3DTV MVC	0x0E	1	Link to event in service compatible plano-stereoscopic MVC which provides a HD alternative (see note 3).
SD	SC-3DTV MVC	0x0E	3	Link to event in service compatible plano-stereoscopic MVC.
SD	UHD	0x0F	0	Link to event in UHD.
SD	SFC-3DTV HEVC	0x0F	1	Link to event in service frame compatible plano-stereoscopic.
Type of source event	Type of destination event	linkage_type (see note 1)	link_type (see note 2)	Use-case
HD	SD	0x0E	0	Link to event in SD.
HD	HD	0x0E	1	Link to alternate event instances also in HD.
HD	FC-3DTV	0x0E	2	Link to event in frame compatible plano-stereoscopic.
HD	SC-3DTV MVC	0x0E	3	Link to event in service compatible plano-stereoscopic MVC.
HD	UHD	0x0F	0	Link to event in UHD.
HD	SFC-3DTV HEVC	0x0F	1	Link to event in service frame compatible plano-stereoscopic.

Type of source event	Type of destination event	linkage_type (see note 1)	link_type (see note 2)	Use-case
FC-3DTV	SD	0x0E	0	Link to event in SD.
FC-3DTV	HD	0x0E	1	Link to event in HD.
FC-3DTV	FC-3DTV	0x0E	2	Link to alternate event instances also in frame compatible plano-stereoscopic.
FC-3DTV	SC-3DTV MVC	0x0E	1	Link to event in service compatible plano-stereoscopic MVC which provides a HD alternative (see note 3).
FC-3DTV	SC-3DTV MVC	0x0E	3	Link to event in service compatible plano-stereoscopic MVC.
FC-3DTV	UHD	0x0F	0	Link to event in UHD.
FC-3DTV	SFC-3DTV HEVC	0x0F	1	Link to event in service frame compatible plano-stereoscopic.
Type of source event	Type of destination event	linkage_type (see note 1)	link_type (see note 2)	Use-case
SC-3DTV MVC	SD	0x0E	0	Link to event in SD.
SC-3DTV MVC	HD	0x0E	1	Link to event in HD.
SC-3DTV MVC	FC-3DTV	0x0E	2	Link to event in frame compatible plano-stereoscopic.
SC-3DTV MVC	SC-3DTV MVC	0x0E	1	Link to event in service compatible plano-stereoscopic MVC which provides a better HD alternative (see note 3).
SC-3DTV MVC	SC-3DTV MVC	0x0E	3	Link to alternate event instances also in service compatible plano-stereoscopic MVC.
SC-3DTV MVC	UHD	0x0F	0	Link to event in UHD.
SC-3DTV MVC	SFC-3DTV HEVC	0x0F	1	Link to event in service frame compatible plano-stereoscopic.
Type of source event	Type of destination event	linkage_type (see note 1)	link_type (see note 2)	Use-case
SFC-3DTV HEVC	SD	0x0E	0	Link to event in SD.
SFC-3DTV HEVC	HD	0x0E	1	Link to event in HD.
SFC-3DTV HEVC	FC-3DTV	0x0E	2	Link to event in frame compatible plano-stereoscopic.
SFC-3DTV HEVC	SC-3DTV MVC	0x0E	1	Link to event in service compatible plano-stereoscopic MVC which provides a better HD alternative (see note 3).
SFC-3DTV HEVC	SC-3DTV MVC	0x0E	3	Link to alternate event instances also in service compatible plano-stereoscopic MVC.
SFC-3DTV HEVC	UHD	0x0F	0	Link to event in UHD.
SFC-3DTV HEVC	SFC-3DTV HEVC	0x0F	1	Link to alternate event instances also in service frame compatible plano-stereoscopic.
Type of source event	Type of destination event	linkage_type (see note 1)	link_type (see note 2)	Use-case
UHD	SD	0x0E	0	Link to event in SD.
UHD	HD	0x0E	1	Link to event in HD.
UHD	FC-3DTV	0x0E	2	Link to event in frame compatible plano-stereoscopic.
UHD	SC-3DTV MVC	0x0E	3	Link to event in service compatible plano-stereoscopic MVC.
UHD	UHD	0x0F	0	Link to alternate event instances also in UHD.
UHD	SFC-3DTV HEVC	0x0F	1	Link to event in service frame compatible plano-stereoscopic.

NOTE 1: See table 58.

NOTE 2: See table 64.

NOTE 3: Only use if destination event is the best HD alternative.

# Annex L (normative): Service information implementation of DTS Neural Surround™ coded audio in DVB systems

## L.0 Introduction

DTS Neural Surround™ constitutes a method of encoding and decoding additional audio channels into a host audio stream. A common application example would be to encode 5.1 channel surround sound into a stereo audio program.

DTS Neural Surround™ coding is an active intensity phase encoding methodology, and does not carry embedded metadata signalling. A system unaware of this processing will operate without impediment. The nature of this encoding permits the carriage independent of audio encoding algorithm, provided sufficient quality is maintained.

A common system application example would be to use DTS Neural Surround™ to encode 5.1 channel surround sound for a stereo MPEG 1 layer 2 host audio, enabling the delivery of surround sound audio in early generations of digital media distribution systems which were designed for stereo audio distribution.

The transmission of DTS Neural Surround™ is optional in DVB systems, as specified in ETSI TS 101 154 [9]. However, if DTS Neural Surround™ is transmitted in a DVB system the specifications in this annex shall be followed.

## L.1 DTS® Neural Descriptor

The DTS\_Neural descriptor is used in the PMT to identify which audio streams have been processed with DTS Neural Surround™ encoding. In such cases, a DTS\_Neural descriptor follows the associated audio descriptor in the TS\_program\_map\_section ES\_info descriptor loop. The DTS® Neural descriptor is described in table L.1.

**Table L.1: DTS® Neural descriptor**

Syntax	Number of bits	Identifier
DTS_Neural_descriptor() {		
descriptor_tag	8	uimsbf
descriptor_length	8	uimsbf
descriptor_tag_extension	8	uimsbf
config_id	8	uimsbf
for (i=0; i<N; i++) {		
additional_info_byte	8	bslbf
}		
}		

### Semantics for the DTS® Neural descriptor:

**config\_id:** This 8-bit field indicates the audio channel configuration of the host audio stream. For a stereo host audio stream it is coded according to table L.2, and for a 5.1 host audio stream it is coded according to table L.3.

**Table L.2: Config ID for Neural stereo host audio stream**

<b>config_id</b>	<b>Original audio configuration</b>	<b>Original channel count (see note)</b>
0	Unknown or undefined	
1	L, R	2
2	L, R, C	3
3	L, R, Ls, Rs	4
4	L, R, C, Ls, Rs	5
5	L, R, C, Ls, Rs, Cs	6
6	L, R, C, Ls, Rs, Lb, Rb	7
7	L, R, Ls, Rs, Cs	5
8	L, R, Ls, Rs, Lb, Rb	6
9 to 255	reserved for future use	
NOTE: The LFE channel is omitted from the original audio configuration for stereo host audio streams. If an LFE channel existed in the original audio configuration, that channel was mixed into the full band channels during DTS Neural Surround™ encoding. An LFE channel can be generated by a bass management system.		

**Table L.3: Config ID for Neural 5.1 host audio stream**

<b>config_id</b>	<b>Original audio configuration</b>	<b>Original channel count</b>
0	Unknown or undefined	
1	L, R, C, LFE, Ls, Rs	5.1
2	L, R, C, LFE, Ls, Rs, Cs	6.1
3	L, R, C, LFE, Ls, Rs, Lb, Rb	7.1
4 to 255	reserved for future use	

**additional\_info\_byte:** This 8-bit field is optional and reserves a place for future expansion of this descriptor.

---

## Annex M (informative): Bibliography

- IEC 62106: "Specification of the radio data system (RDS) for VHF/FM sound broadcasting in the frequency range from 87,5 to 108,0 MHz".
- RDS-Forum SPB 490: "RDS Universal Encoder Communication Protocol", Final Version 6.01, June 2003.
- Alliance for Telecommunications Industry Solutions (ATIS), ATIS-0800006: "IIF Default Scrambling Algorithm (IDSA) IPTV Interoperability Specification".
- ETSI TS 102 584: "Digital Video Broadcasting (DVB); DVB-SH implementation guidelines".

## Annex N (informative): Change History

Date	Version	Information about changes
June 2015	1.15.1	Implemented Change Requests: <ul style="list-style-type: none"> <li>• 847: 3DTV phase 3 signalling</li> <li>• 1142: signal presence of multi-region disparity SEI data</li> <li>• 861: extended descriptor tag 0x12 for NGH delivery system descriptor</li> <li>• 953: new URI linkage type for MRS identifier</li> <li>• 986: Expanding the capability of the AAC Descriptor to support clean_audio</li> <li>• 1008: Allocate bit in adaptation field_data_identifier for TSAP timeline</li> <li>• 1031: MVC dependent view component descriptor (Note about 24 Hz is confusing)</li> <li>• 1035: annex A code point differences since revision 1.12.1</li> <li>• 1157: code point errors in figure A.6 introduced with 1.12.1</li> <li>• 1158: code point errors in figure A.7 introduced with 1.12.1</li> <li>• 1041: a reserved field should be reserved for future use in supp. audio desc.</li> <li>• 1093: service type 0x1F for HEVC digital television service</li> <li>• 1096: update annex I for HEVC</li> <li>• 1098: stream content and component type for HEVC</li> <li>• 1156: naming of HEVC UHD component type?</li> <li>• 1181: promote various audio annexes from informative to normative</li> <li>• 1203: various typos in r99 of draft of ETSI EN 300 468</li> <li>• 1204: explain use of component descriptor for service list filtering</li> <li>• 1205: add signalling for Dolby AC-4</li> <li>• 1298: Note 7 in component descriptor table 26 in 6.2.8</li> <li>• 1310: Note 4 in annex J tables J.1 and J.2 confusing.</li> <li>• 1311: Annex I.2.5 add additional text to warn explicit about future backwards compatible services</li> <li>• 1313: Table K.1 in annex K needs updating to include new SFC-3DTV event linkage value.</li> <li>• 1317: update C2 delivery system descriptor for PLP bundling</li> <li>• 1326: descriptor_tag_extension 0x16 for C2 bundle delivery system descriptor</li> <li>• 1320: add a revision history table at the end</li> </ul>



## History

<b>Document history</b>		
Edition 1	October 1995	Publication as ETSI ETS 300 468
Edition 2	January 1997	Publication as ETSI ETS 300 468
V1.3.1	February 1998	Publication
V1.4.1	November 2000	Publication
V1.5.1	May 2003	Publication
V1.6.1	November 2004	Publication
V1.7.1	May 2006	Publication
V1.8.1	July 2008	Publication
V1.9.1	March 2009	Publication
V1.10.1	November 2009	Publication
V1.11.1	April 2010	Publication
V1.12.1	October 2011	Publication
V1.13.1	August 2012	Publication
V1.14.1	May 2014	Publication
V1.15.1	December 2015	EN Approval Procedure AP 20160315: 2015-12-16 to 2016-03-15
V1.15.1	March 2016	Publication